



ET-7052
PET-7052

(PoE) Ethernet I/O Module with 8-ch DI and 8-ch DO

ET-7252
PET-7252

Features

- Built-in Web Server
- Web HMI
- Support for both Modbus TCP and Modbus UDP Protocols
- Communication Security
- 2-port Ethernet Switch (LAN Bypass) for Daisy-Chain Wiring
- Dual Watchdog
- I/O Pair Connection
- Built-in I/O
 - DI/Counter: 8 Channels
 - DO: 8 Channels



Introduction

The ET-7052/PET-7052/ET-7252/PET-7252 provides 8 wet contact digital input channels and 8 source-type digital output channels. It features optical isolation for 2500 VDC of transient overvoltage protection but doesn't provide channel-to-channel isolation. Each input channel can be used as a 32-bit counter and each output channel can drive a 650 mA load. The power-on value and safe value of the digital output channel are programmable. It can safely be used in applications where hazardous voltages are present.

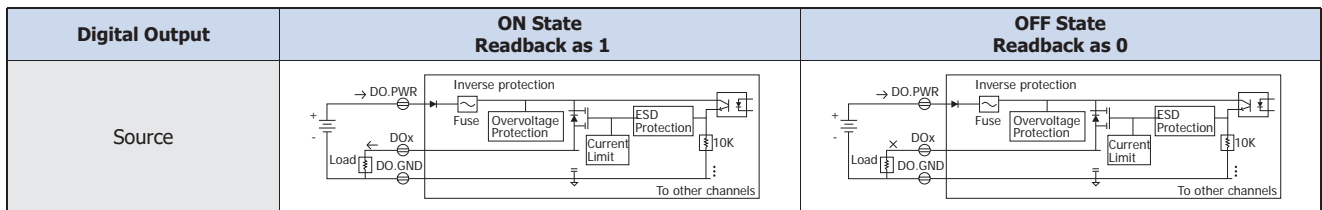
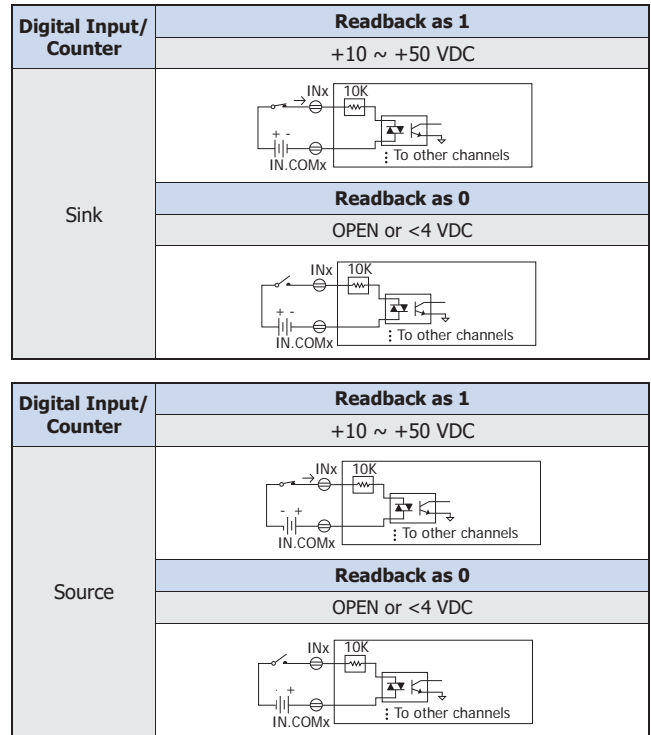
System Specifications

Model	ET-7052	PET-7052	ET-7252	PET-7252
Software				
Built-in Web Server	Yes			
CPU Module				
Watchdog Timer	Module, Communication (Programmable)			
2-Way Isolation				
Ethernet	1500 VDC	-	1500 VDC	-
I/O	2500 VDC			
EMS Protection				
EFT (IEC 61000-4-4)	±4 kV for Power Line		±2 kV for Power Line	
ESD (IEC 61000-4-2)	±4 kV Contact for Each Terminal ±8 kV Air for Random Point			
Surge (IEC 61000-4-5)	±0.5 kV for Power Line		±2 kV for Power Line	
LED Indicators				
Status	Run, Ethernet	Run, Ethernet, PoE	Run, Ethernet, I/O	Run, Ethernet, I/O, PoE
Ethernet				
Ports	1 x RJ-45, 10/100 Base-TX		2 x RJ-45, 10/100 Base-TX, Switch Ports	
PoE	-	Yes	-	Yes
LAN bypass	-		Yes	
Security	ID, Password and IP Filter			
Protocol	Modbus TCP, Modbus UDP			
Power				
Reverse Polarity Protection	Yes			
Consumption	2.5 W (max.)	2.5 W (max.)	3.4 W (max.)	3.5 W (max.)
Powered from PoE	-	IEEE 802.3af, Class1	-	IEEE 802.3af, Class1
Powered from Terminal Block	+10 to +30 VDC		+12 to +48 VDC	
Mechanical				
Dimensions (mm)	72 x 123 x 35 (W x L x H)		76 x 120 x 38 (W x L x H)	
Installation	DIN-Rail mounting			
Environment				
Operating Temperature	-25 to +75°C			
Storage Temperature	-30 to +80°C			
Humidity	10 to 90% RH, Non-condensing			

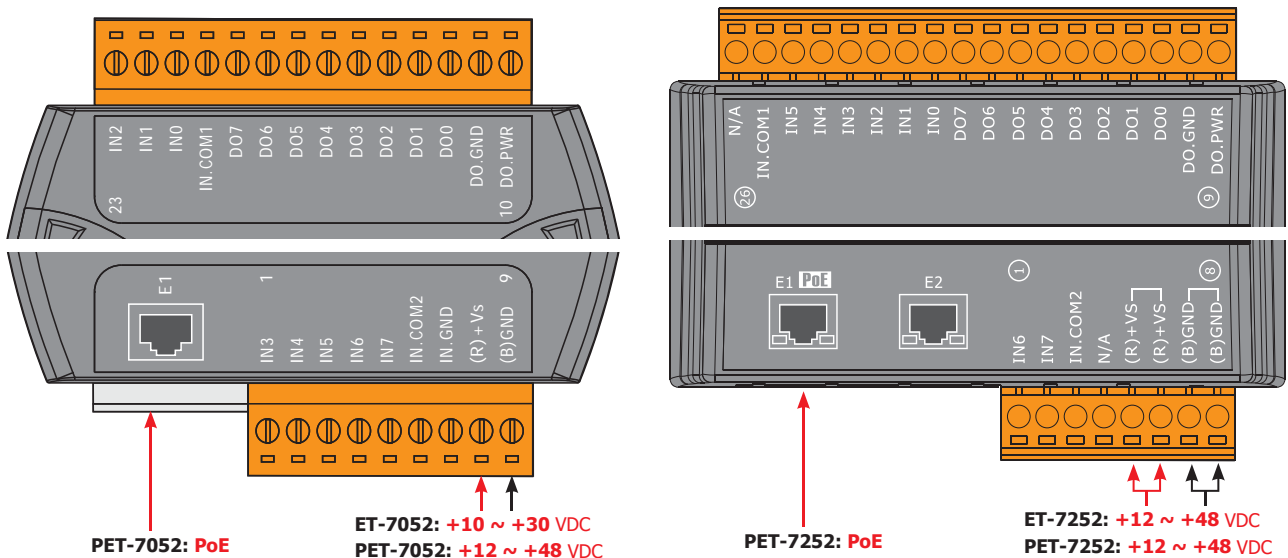
I/O Specifications

Model	ET-7052 PET-7052	ET-7252 PET-7252
Digital Input/Counter		
Channels	8	
Type	Wet Contact	
Sink/Source (NPN/PNP)	Sink/Source	
ON Voltage Level	+10 to +50 VDC	
OFF Voltage Level	+4 VDC (max.)	
Max. Counts	4,294,967,295 (32-bit)	
Frequency	500 Hz	100 Hz
Min. Pulse Width	1 ms	5 ms
Input Impedance	10 kΩ	
Overvoltage Protection	+70 VDC	
Digital Output		
Channels	8	
Type	Isolated Open Collector	
Sink/Source (NPN/PNP)	Source	
Load Voltage	+10 to +40 VDC	
Load Current	650 mA/channel at 25°C	
Overvoltage Protection	+47 VDC	
Short-circuit Protection	Yes	
Power on Value	Programmable	
Safe Value	Programmable	

Wire Connections



Pin Assignments



Ordering Information

ET-7052 CR	Ethernet I/O Module with 8-ch DI and 8-ch DO (RoHS)
PET-7052 CR	PoE Ethernet I/O Module with 8-ch DI and 8-ch DO (RoHS)
ET-7252 CR	Ethernet I/O Module with 2-port Ethernet Switch, 8-ch DI and 8-ch DO (RoHS)
PET-7252 CR	PoE Ethernet I/O Module with 2-port Ethernet Switch, 8-ch DI and 8-ch DO (RoHS)