



Introduction

The ZT-2017C is a wireless 16-bit, 8-channel differential analog input ZigBee module that provides a programmable input range on all analog channels (-20 mA ~ +20 mA, 0 ~ +20 mA or +4 ~ +20 mA) . Each analog channel can be configured for an individual range and has a high 200 Vdc common voltage protection. The module Supports open wire detection for 4 ~ 20 mA. Users can easily configure the module address, protocol, checksum, ZT-PID, ZT-channel and type code settings using a combination of rotary and DIP switches.

System Specifications

| Communication Interface | |
|---------------------------------|------------------------------------------|
| Wireless Standards | ZigBee 2007 Pro |
| Transmission Power | 11 dBm(FCC Certificated) (Max 19 dBm) |
| 2.4 GHz Antenna | 5 dBi Omni directional |
| Transmission Range (LoS) | 700 m (Typical) |
| Certification | CE/FCC, FCC ID |
| Max. Slaves in a ZigBee Network | 255 |
| ZB-100R/ZB-100T Support | - |
| Protocols | Supports DCON and Modbus RTU Protocols |
| Hot Swap | Rotary and DIP switch |
| LED Indicators | |
| Power | 1 LED, red |
| ZigBee Communication | 1 LED, green |
| Power | |
| Power Consumption | 1.4 W Max. |
| Mechanical | |
| Flammability | Fire Retardant Materials (UL94-V0 Level) |
| Dimensions (W x L x H) | 33 mm x 87 mm x 107 mm |
| Installation | DIN-Rail |
| Environment | |
| Operating Temperature | -25 °C ~ +75 °C |
| Storage Temperature | -30 °C ~ +80 °C |
| Relative Humidity | 10 ~ 90% RH, Non-condensing |

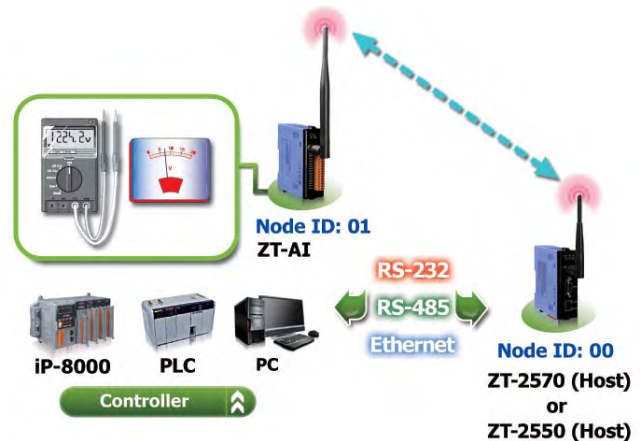
Features

- SM 2.4 GHz Operating Frequency
- Fully Compliant with 2.4G /ZigBee Specifications
- Wireless Transmission Range up to 700 m
- GUI Configuration Software (Windows Version)
- 8 Differential Current Input Channels
- Individual Channel Configuration
- Open Wire Detection for 4 ~ 20 mA
- EFT and ESD Protection
- DIN-Rail Mounting



Applications

Building Automation, Factory Automation, Machine Automation, Remote Maintenance, Remote Diagnosis, Testing Equipment.

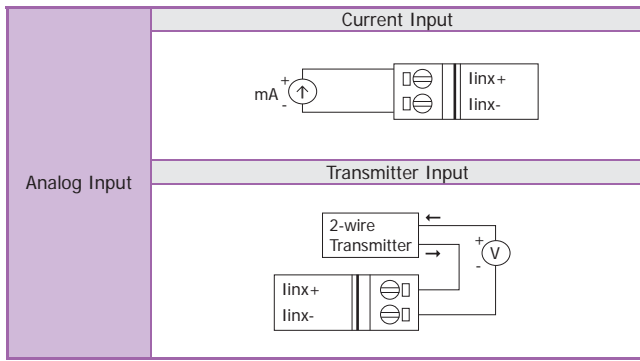


I/O Specifications

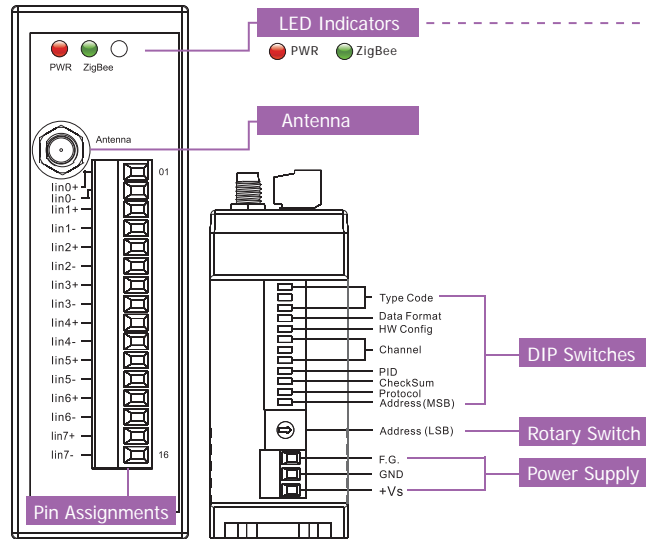
| Analog Input | |
|----------------------------------------|--------------------------------------------------|
| Input Channels | 8 Differential |
| Input Types | -20 mA ~ +20 mA, 0 mA ~ +20 mA or +4 mA ~ +20 mA |
| Resolution | 16-bit |
| Sampling Rate | 16-bit, 10 Samples/Sec. (Total) |
| Accuracy | +/-0.1% of FSR |
| -3dB Bandwidth | 15.7 Hz |
| Zero Drift | +/-20 μV/°C |
| Span Drift | +/-25 ppm/°C |
| Common Mode Rejection | 86 dB |
| Normal Mode Rejection | 100 dB |
| Input Impedance | 125 Ω |
| Common Voltage | +/- 200 Vdc |
| Individual Channel Configuration | Yes |
| Open Wire Detection for 4 ~ 20 mA | Yes |
| Intra-module Isolation, Field-to-Logic | 3000 Vdc |
| ESD Protection | +/-4 kV contact for each channel |



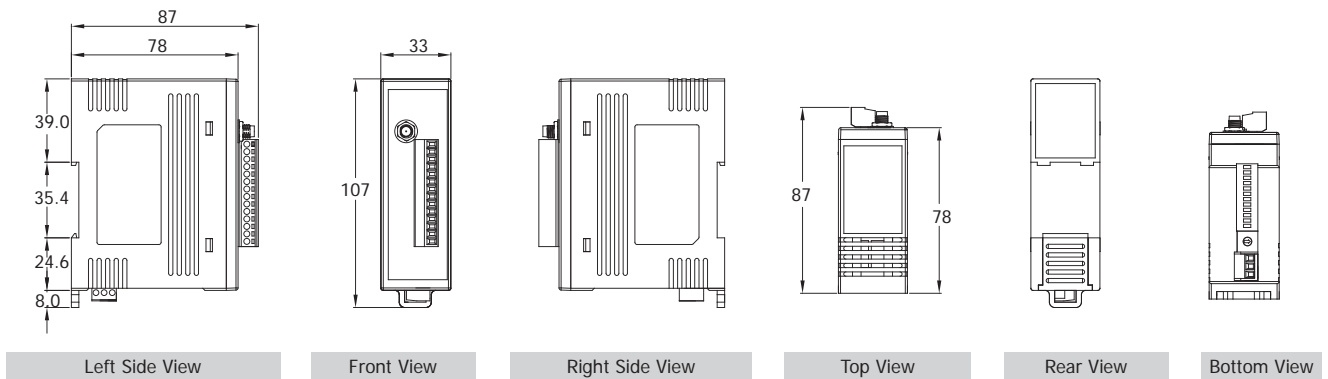
Wiring



Appearance



Dimensions (Units: mm)



Ordering Information

| | |
|------------------------------------------------------------------------------------------------------------------------------------------------------------------------------------------------------------------------------------------------------|------------------------------------------------------------------------------------------------|
| ZT-2017C CR | Wireless 8-channel Current Input Module with High Common Voltage Protection (RoHS)(Long Range) |
| Important Note: Zigbee Data Acquisition modules need a Zigbee host converter to coordinate the data transmission route. Please remember to order a ZT-2550, ZT-2570 ZigBee host converter when you purchase Zigbee Data Acquisition products. | |

Accessories

| | |
|------------|-------------------------------------------------------------------------------|
| MDR-20-24 | 24 VDC/1.0 A, 24 W Power Supply with DIN-Rail Mounting |
| ZT-2510 CR | ZigBee Repeater (RoHS) |
| ZT-2550 CR | RS-485/RS-232 to High Power Amplifier ZigBee Converter (Host) (RoHS) |
| ZT-2570 CR | Ethernet/RS-485/RS-232 to High Power Amplifier ZigBee Converter (Host) (RoHS) |

