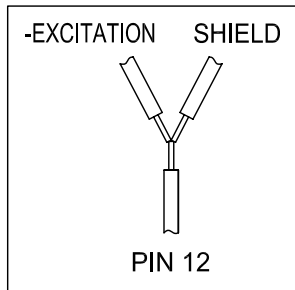
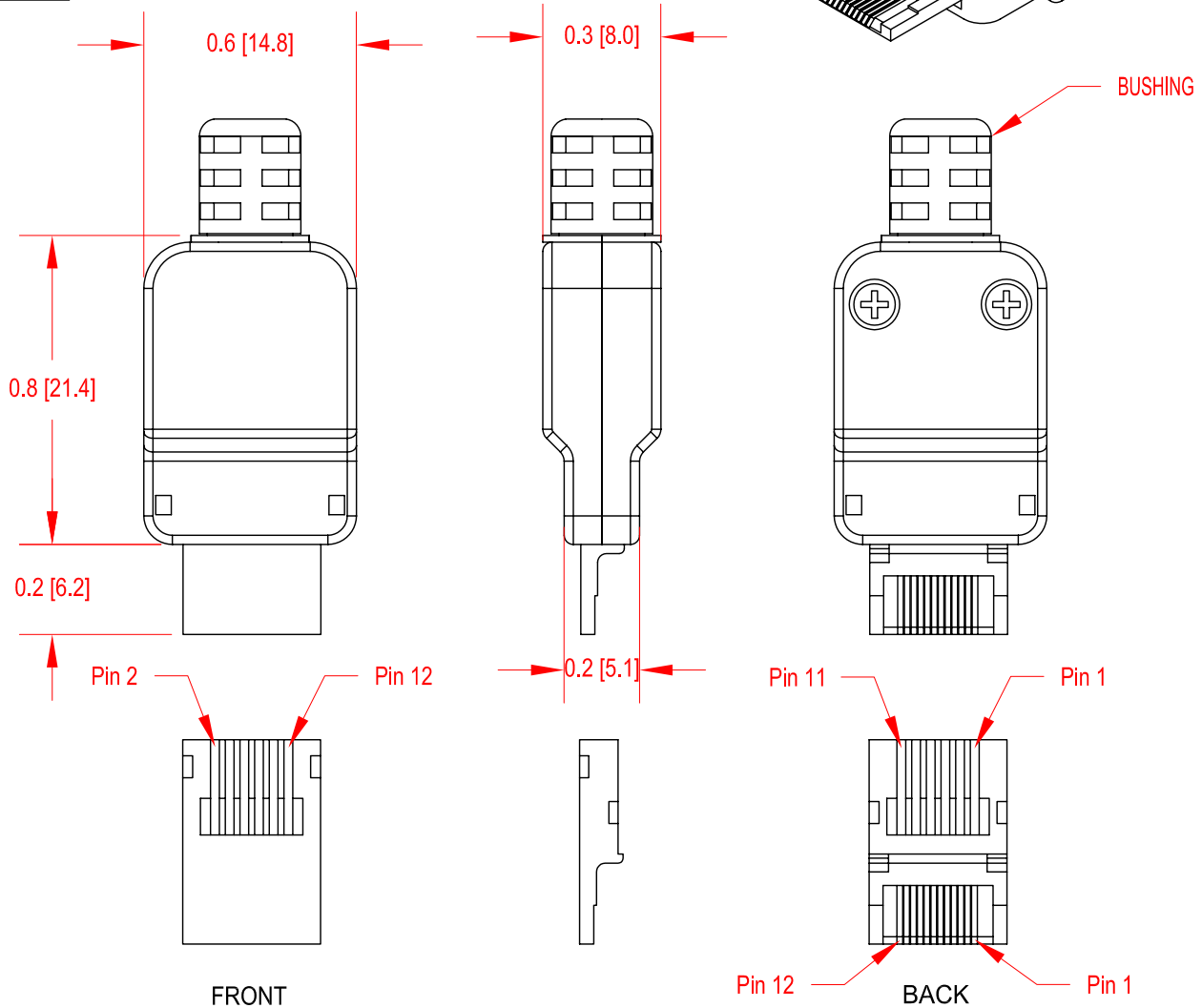
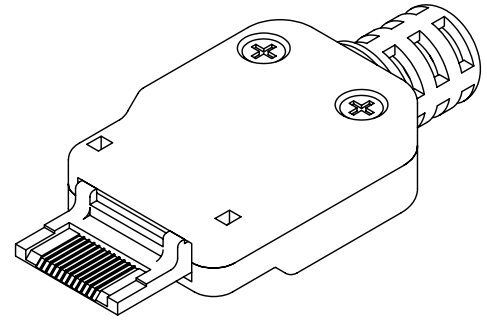


MODEL ZCO940
ITEM # FSH03320

Drawing Number: FI1312-A

INCH [mm]



HIROSE MALE (USB SENSOR SIDE)	
PIN #	WIRE CODE
1	+SIGNAL
2	-SIGNAL
11	+EXCITATION
12	-EXCITATION/ SHIELD*

BUSHING SIZES
0.16 [4.0]
0.18 [4.5]
0.20 [5.0]

*USE Y CONNECTION ON PIN 12 TO MAKE CONNECTING THE -EXCITATION AND SHIELD EASIER

info@logicbus.com.mx

www.logicbus.com.mx

Alcalde #1822 Col. Miraflores C.P. 44270 Guadalajara, Jal. Mexico
MX 01 (33) 3854-5975 y 3823-4349 USA 001 (858)-869-5401 (Chula Vista, CA. Office)