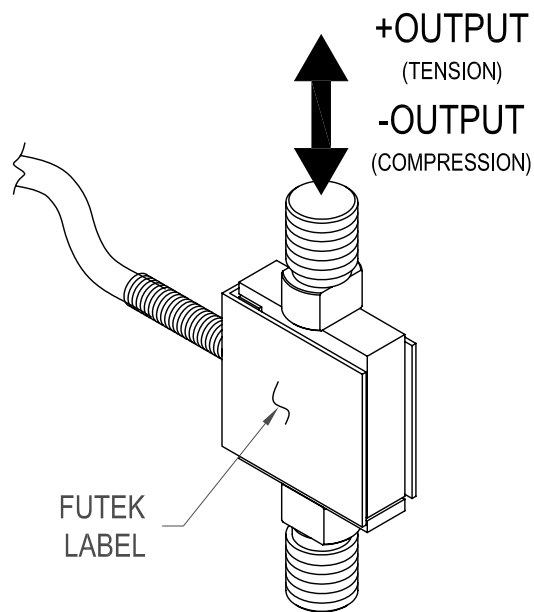
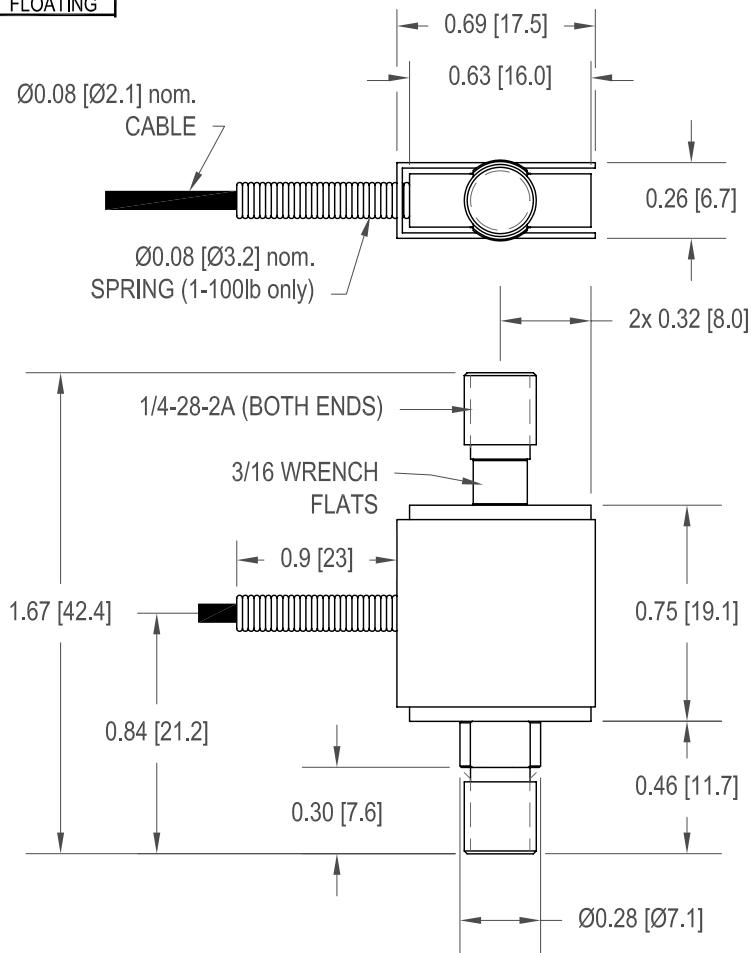


Drawing Number: FI1082-A			
INCH [mm]		R.O.= Rated Output	
WIRING CODE (WC 1)			
+Excitation	-Excitation	+Signal	-Signal
RED	BLACK	GREEN	WHITE
Shield			
FLOATING			

MODEL LRM200 (L2358) S-BEAM JR. LOAD CELL (T & C) w/ MALE THREADS



NOTE:
WHEN USING WRENCH FLATS TO TIGHTEN DO NOT TORQUE THROUGH THE SENSOR, THIS MAY DAMAGE THE SENSOR.

SPECIFICATIONS:

RATED OUTPUT	2 mV/V nom.
SAFE OVERLOAD	1000% of R.O. (100 g to 100 lb), 200% of R.O. Tension Only (50 lb and 100 lb)*
ZERO BALANCE	±3% of R.O.
EXCITATION (VDC OR VAC)	10 MAX
BRIDGE RESISTANCE	350 Ω nom., 1000Ω nom.(100g & 250g)
NONLINEARITY	±0.1% of R.O.
HYSTERESIS	±0.1% of R.O.
NONREPEATABILITY	±0.05% of R.O.
TEMP. SHIFT ZERO	±0.01% of R.O./°F [0.018% of R.O./°C]
TEMP. SHIFT SPAN	±0.02% of LOAD/°F [0.036% of LOAD/°C]
COMPENSATED TEMP.	60 to 160°F [15 to 72°C]
OPERATING TEMP.	-60 to 200°F [-50 to 93°C]
WEIGHT	0.5 oz [14 g] (100g to 10 lb), 1.1 oz [31 g] (25 to 100 lb)
MATERIAL	ALUMINUM (100g to 10 lb), STAINLESS STEEL (25 to 100 lb)
DEFLECTION	0.005 [0.13] nom.

CABLE: #29 AWG, 4 Conductor, Spiral Shielded Silicone Cable, 5 ft [1.5 m] Long
ACCESSORIES AND RELATED INSTRUMENTS AVAILABLE
CALIBRATION (STD) 5 pt TENSION; 60.4 KΩ, 150KΩ (100-250g) SHUNT CAL. VALUE
CALIBRATION (AVAILABLE) COMPRESSION
CALIBRATION TEST EXCITATION 5 VDC

CAPACITIES

STK#	lb	N
FSH02899	100g	1
FSH02902	250g	2.5
FSH01675	1	4.5
FSH01674	2	8.9
FSH01673	5	22.2
FSH01672	10	44.5
FSH01671	25	111
FSH01670	50	222
FSH01669	100	445