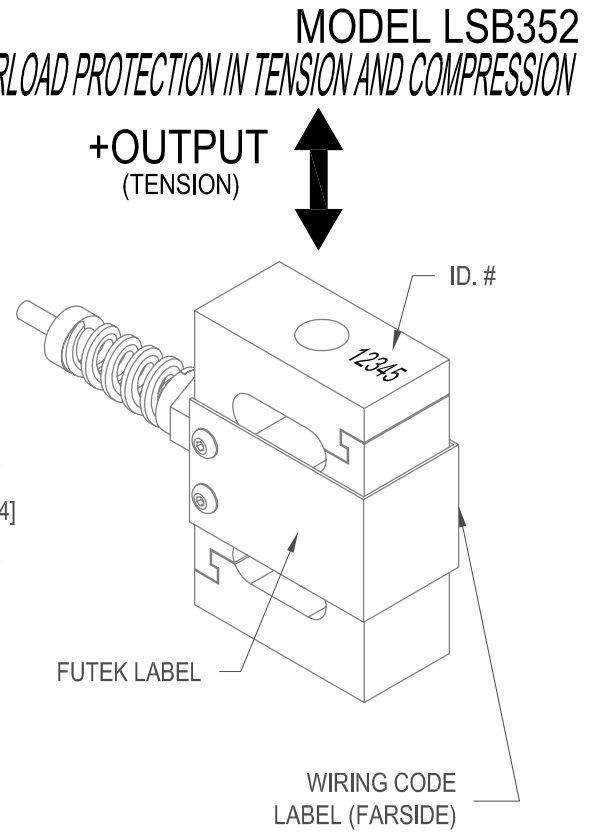
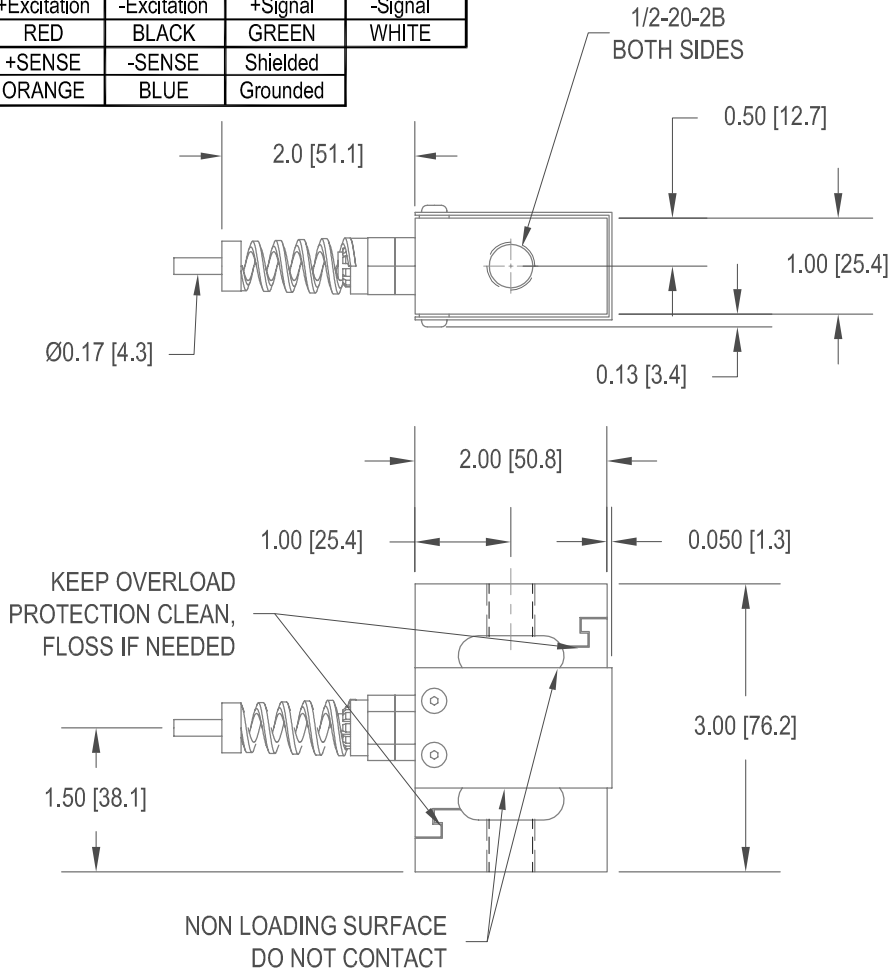


# MODEL LSB352 3mV/V S-BEAM LOAD CELL W/ OVERLOAD PROTECTION IN TENSION AND COMPRESSION

Drawing Number: F11078-A			
INCH [mm]		R.O.= Rated Output	
WIRING CODE (WC4)			
+Excitation	-Excitation	+Signal	-Signal
RED	BLACK	GREEN	WHITE
+SENSE	-SENSE	Shielded	
ORANGE	BLUE	Grounded	



## SPECIFICATIONS:

RATED OUTPUT	3 mV/V nom. (Matched Output Optional)
SAFE OVERLOAD	500% of R.O.
ZERO BALANCE	±1% of R.O.
EXCITATION (VDC OR VAC)	18 MAX
BRIDGE RESISTANCE	350 Ω nom.
NONLINEARITY	±0.05% of R.O.
HYSTERESIS	±0.05% of R.O.
NONREPEATABILITY	±0.01% of R.O.
TEMP. SHIFT ZERO	±0.001% of R.O./°F [0.0018% of R.O./°C]
TEMP. SHIFT SPAN	±0.0008% of LOAD/°F [0.0014% of LOAD/°C]
COMPENSATED TEMP.	60 to 160°F [15 to 72°C]
OPERATING TEMP.	-40 to 200°F [-40 to 93°C]
MATERIAL	17-4 PH S.S.
CABLE: #28 AWG, 6 Conductor, Spiral Shielded Polyurethane Cable 5 ft [ 1.5 m ] Long	
ACCESSORIES AND RELATED INSTRUMENTS AVAILABLE	
CALIBRATION (STD)	5 pt. TENSION; 43.575KΩ SHUNT CAL. VALUE
CALIBRATION (AVAILABLE)	COMPRESSION
CALIBRATION TEST EXCITATION	10 VDC

STK#	CAPACITIES	
	lb	N
FSH02100	500	2224
FSH02101	1000	4448