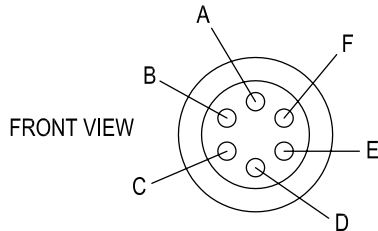


6 Pin Bendix To Cable Assembly

FOR FUTEK MODELS WITH CC1/CC2 CONNECTION

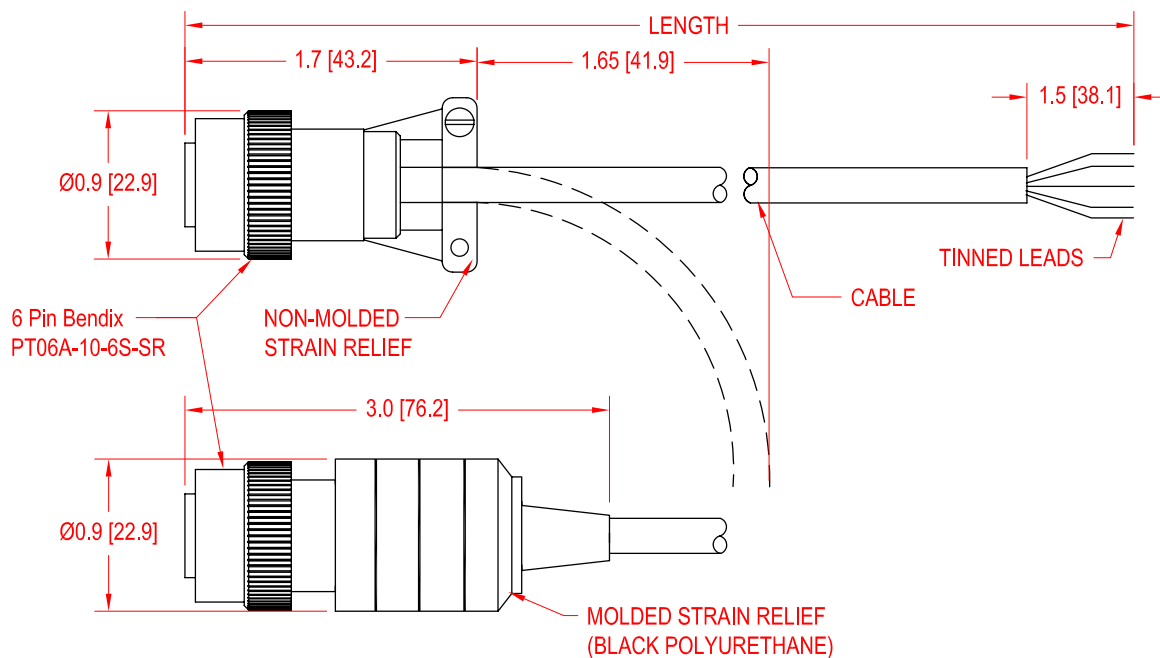
Drawing Number: FI1111-C

INCH [mm]



PIN	CC1 (*CC1T)	CC2 (*CC2T)
A	RED (+EXCITATION)	RED (+EXCITATION)
B	BLACK (-EXCITATION)	GREEN (+SIGNAL)
C	GREEN (+SIGNAL)	WHITE (-SIGNAL)
D	WHITE (-SIGNAL)	BLACK (-EXCITATION)
E	ORANGE (+SENSE / *TEDs DATA)	ORANGE (*TEDs DATA)
F	BLUE (-SENSE / *TEDs GROUND)	BLUE (*TEDs GROUND)
	SHIELD (FLOATING)	SHIELD (FLOATING)

* Wiring for sensor equipped with TEDs



STRAIN RELIEF	ITEM #	LENGTH	CODE	CABLE	SPECIFICATIONS	
MOLDED	FSH01793	5 ft	CC1 CC1T	28 AWG, 6 CONDUCTOR BRAIDED SHIELDED POLYURETHANE DIAMETER: 0.165 [4.2] CABLE MINIMUM BEND RADIUS: 1.65 [41.9]	TEMP: -40° to 176°F [-40° to 80°C]	
	FSH00244	10 ft				IP RATING IP65
	FSH01757	15 ft				
	FSH01794	20 ft				
	FSH02434	30 ft				
NON-MOLDED	FSH02327	10 ft	CC2 CC2T		TEMP: -40° to 176°F [-40° to 80°C]	
	FSH01795	30 ft				
	FSH01796	50 ft				
	FSH01886	100 ft				
	FSH01800	10 ft				
	FSH01801	5 ft				
	FSH01802	15 ft				
	FSH01803	20 ft				
FSH01804	30 ft					
FSH01806	50 ft					
FSH02186	100 ft					