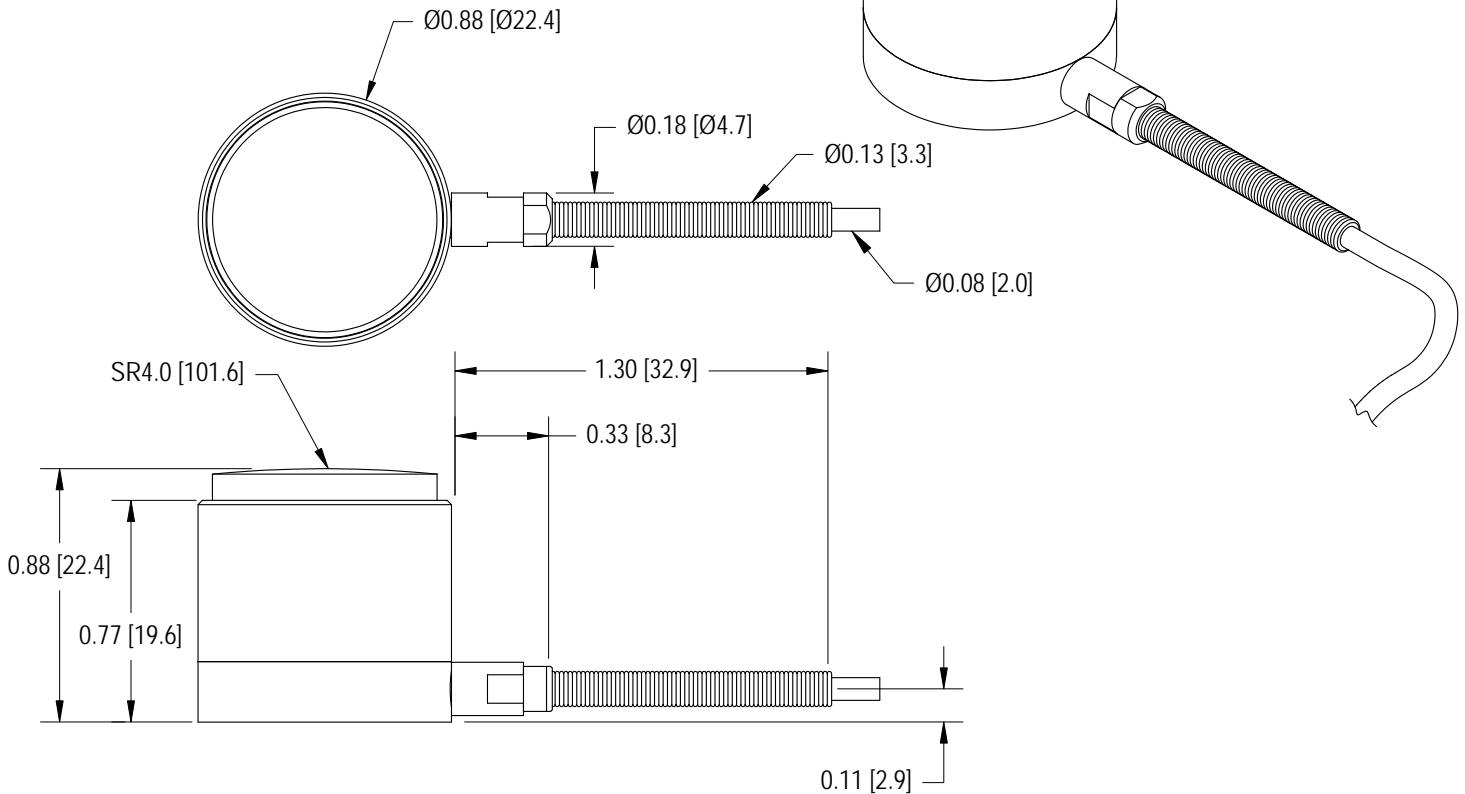


MINIATURE LOAD COLUMN LOAD CELL

(Previously L1645)

| | | | |
|-------------------------------|---------------------------|---------|---------|
| Drawing Number: FI1169 | | | |
| INCH [mm] | R.O.= Rated Output | | |
| WIRING CODE (WC1) | | | |
| +Excitation | -Excitation | +Signal | -Signal |
| RED | BLACK | GREEN | WHITE |



SPECIFICATIONS:

| | |
|---|--|
| RATED OUTPUT | 2 mV/V nom. |
| SAFE OVERLOAD | 150% of R.O. |
| ZERO BALANCE | ±1% of R.O. |
| EXCITATION (VDC OR VAC) | 18 MAX |
| BRIDGE RESISTANCE | 350 Ω nom |
| NONLINEARITY | ±1% of R.O. |
| HYSTERESIS | ±1% of R.O. |
| NONREPEATABILITY | ±0.5% of R.O. |
| TEMP. SHIFT ZERO | ±0.01% of R.O./°F [0.018% of R.O./°C] |
| TEMP. SHIFT SPAN | ±0.02% of LOAD/°F [0.036% of LOAD/°C] |
| COMPENSATED TEMP. | 60 to 160°F [15 to 72°C] |
| OPERATING TEMP. | -60 to 200°F [-50 to 93°C] |
| MATERIAL | 17-4PH S.S. |
| DEFLECTION | 0.001 [0.025] |
| CABLE: #29 AWG, 4 Conductor, Spiral Shielded Teflon Cable 10 ft [3] Long | |
| ACCESSORIES AND RELATED INSTRUMENTS AVAILABLE | |
| CALIBRATION (STD) | 5 pt.COMPRESSION; 60.4KΩ. SHUNT CAL. VALUE |
| CALIBRATION TEST EXCITATION | 10 VDC |

| STK# | CAPACITIES | |
|----------|------------|-------|
| | lb | N |
| FSH01768 | 7.5k | 33360 |
| FSH01769 | 10k | 44480 |