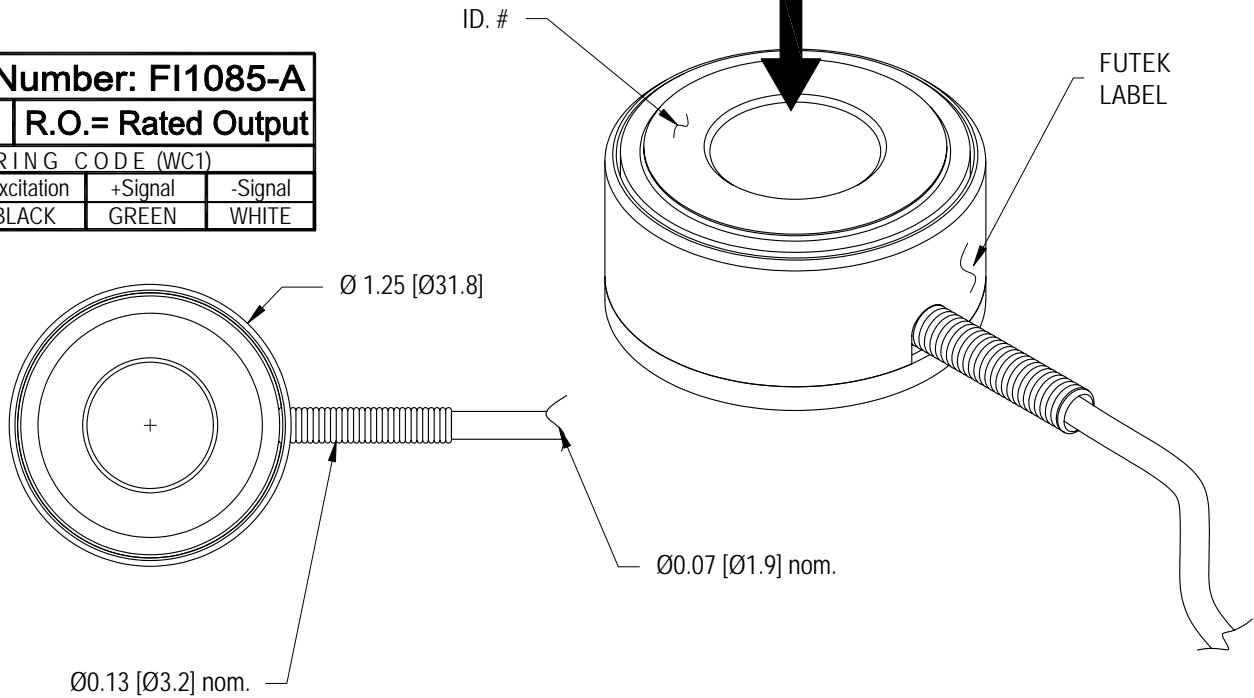


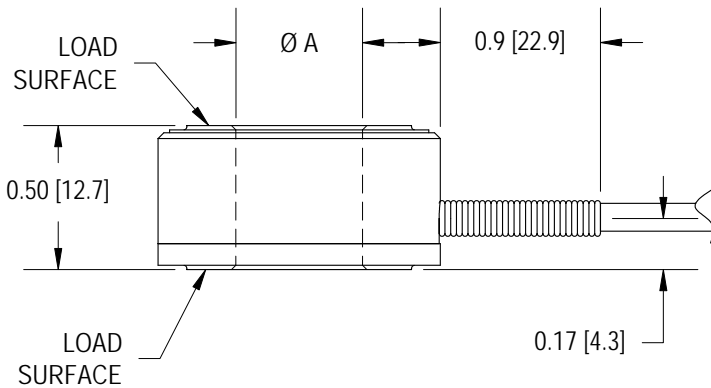
## FORCE/LOAD WASHER LOAD CELL (Previously L2700)

+ OUTPUT  
(COMPRESSION)

<b>Drawing Number: FI1085-A</b>			
<b>INCH [mm]</b>		<b>R.O.= Rated Output</b>	
<b>WIRING CODE (WC1)</b>			
+Excitation	-Excitation	+Signal	-Signal
RED	BLACK	GREEN	WHITE

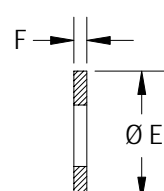


MOUNTING SURFACES SHOULD BE FLAT AND PARALLEL FOR OPTIMUM PERFORMANCE



### SPECIFICATIONS:

<b>RATED OUTPUT</b>	3 mV/V nom.
<b>SAFE OVERLOAD</b>	150% of R.O.
<b>ZERO BALANCE</b>	±10% of R.O.
<b>EXCITATION (VDC OR VAC)</b>	18 MAX
<b>BRIDGE RESISTANCE</b>	350 Ω nom.
<b>TEMP. SHIFT ZERO</b>	±0.02% of R.O./°F [0.036% of R.O./°C]
<b>TEMP. SHIFT SPAN</b>	±0.01% of LOAD/°F [0.018% of LOAD/°C]
<b>COMPENSATED TEMP.</b>	60 to 160°F [15 to 72°C]
<b>OPERATING TEMP.</b>	-45 to 200°F [-42 to 93°C]
<b>MATERIAL</b>	17-4PH S.S.
<b>DEFLECTION</b>	0.001 [0.03] nom.
<i>CABLE:#29 AWG, 4 Conductor, Spiral Shielded Teflon Cable 10 ft [3 m] Long</i>	
<i>ACCESSORIES AND RELATED INSTRUMENTS AVAILABLE</i>	
<b>CALIBRATION (STD)</b>	5 pt. COMPRESSION; 43.575KΩ SHUNT CAL. VALUE
<b>CALIBRATION TEST EXCITATION</b>	10 VDC

HARDENED WASHER			
			
STK#	E	F	BOLT SIZE
MCP00722	1.13 [28.6]	0.18 [4.6]	9/16
MCP00723	1.25 [31.8]	0.18 [4.6]	5/8

CAPACITIES			
STK#	lb	N	BOLT SIZE
FSH00762	25k	111k	0.57 [14.5]
FSH00763	30k	133k	0.63 [16]