

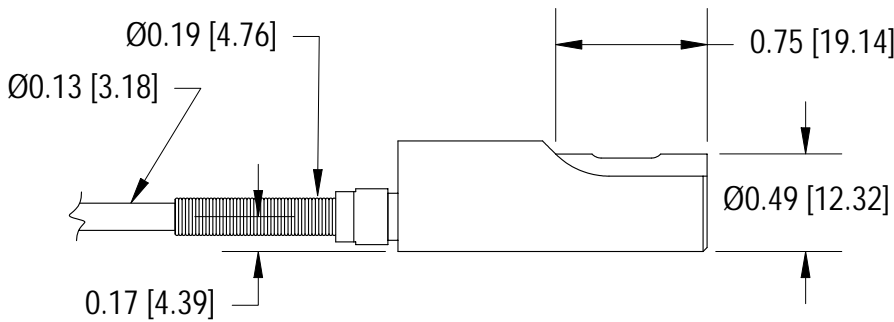
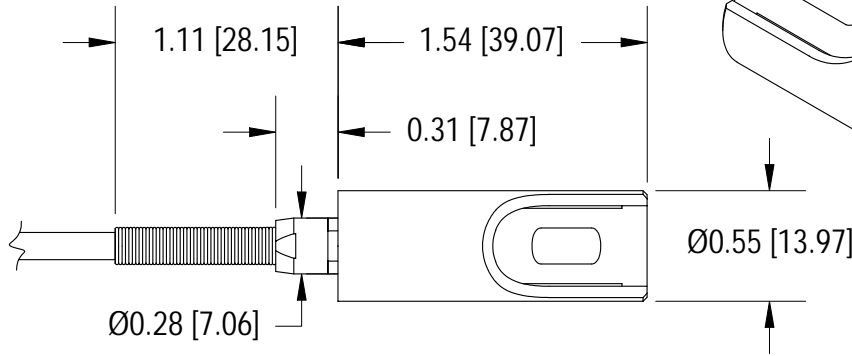
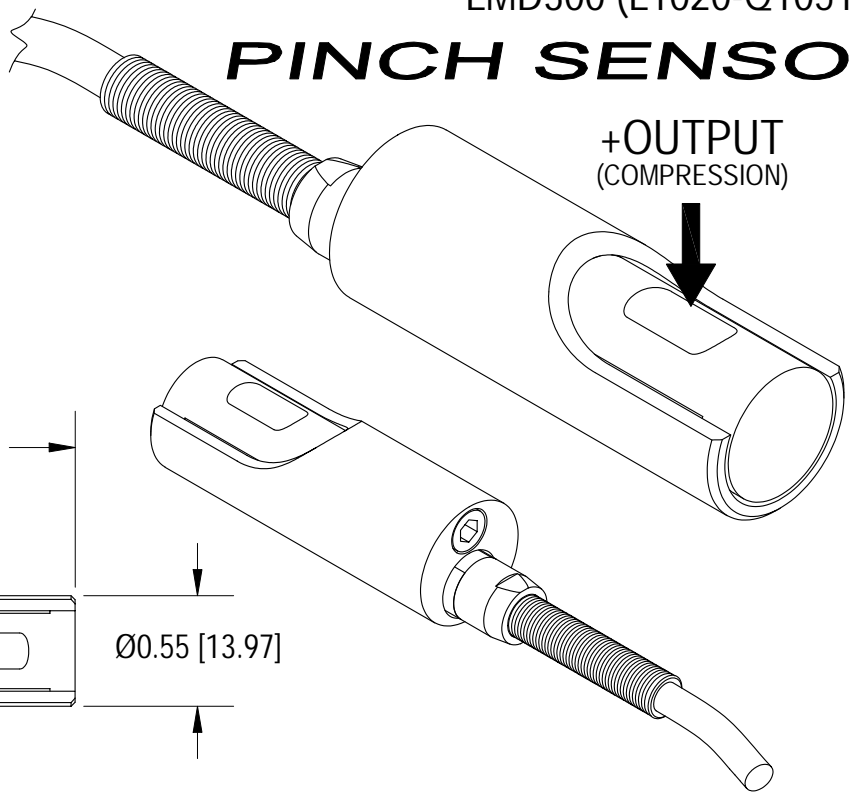
# PINCH SENSOR

STK# FSH01465

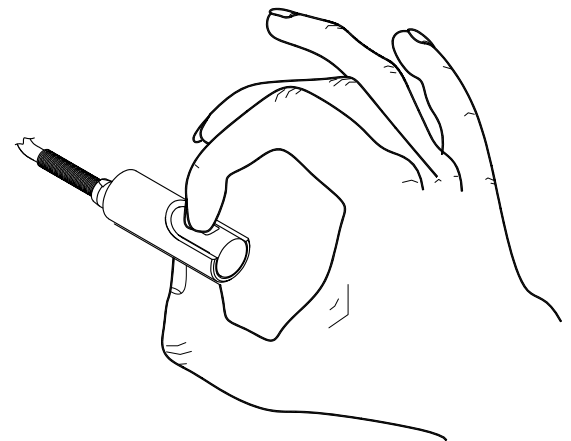
Drawing Number: FI1046

WIRING CODE			
+Excitation	-Excitation	+Signal	-Signal
RED	BLACK	GREEN	WHITE

INCH [mm] | R.O.= Rated Output



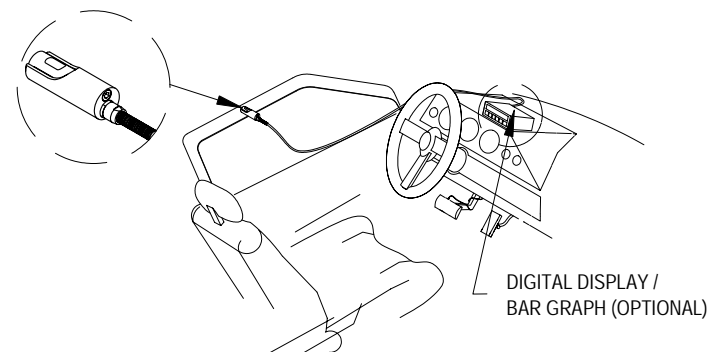
## MEDICAL PINCH SENSOR APPLICATION



## SPECIFICATIONS:

RATED OUTPUT	2 mV/V nom.
CAPACITY	50 lb / 222 N
SAFE OVERLOAD	200% of R.O.
ZERO BALANCE	±3% of R.O.
EXCITATION (VDC OR VAC)	18 MAX
BRIDGE RESISTANCE	1000 Ω nom
NONLINEARITY	±0.5% of R.O.
TEMP. SHIFT ZERO	±0.01% of R.O./°F (0.018% of R.O./°C)
TEMP. SHIFT SPAN	±0.02% of LOAD/°F (0.036% of LOAD/°C)
COMPENSATED TEMP.	60 to 160°F
OPERATING TEMP.	0 to 160°F
WEIGHT	0.7 oz [20 g]
DEFLECTION	0.005 [0.13] nom
MATERIAL	ANODIZED ALUMINUM
CABLE: #28 AWG, 4 Conductor, Spiral Shielded PVC Cable, 10 ft Long	
ACCESSORIES AND RELATED INSTRUMENTS AVAILABLE	
CALIBRATION (STD)	2 pt. COMPRESSION; 150K Ω SHUNT CAL. VALUE
CALIBRATION TEST EXCITATION	10 VDC

## WINDOW PINCH SENSOR AUTOMOTIVE APPLICATION



DIGITAL DISPLAY / BAR GRAPH (OPTIONAL)