

S-BEAM JUNIOR LOAD CELL

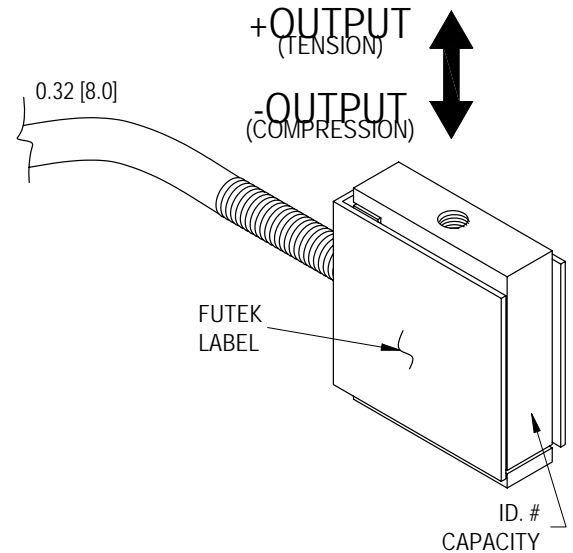
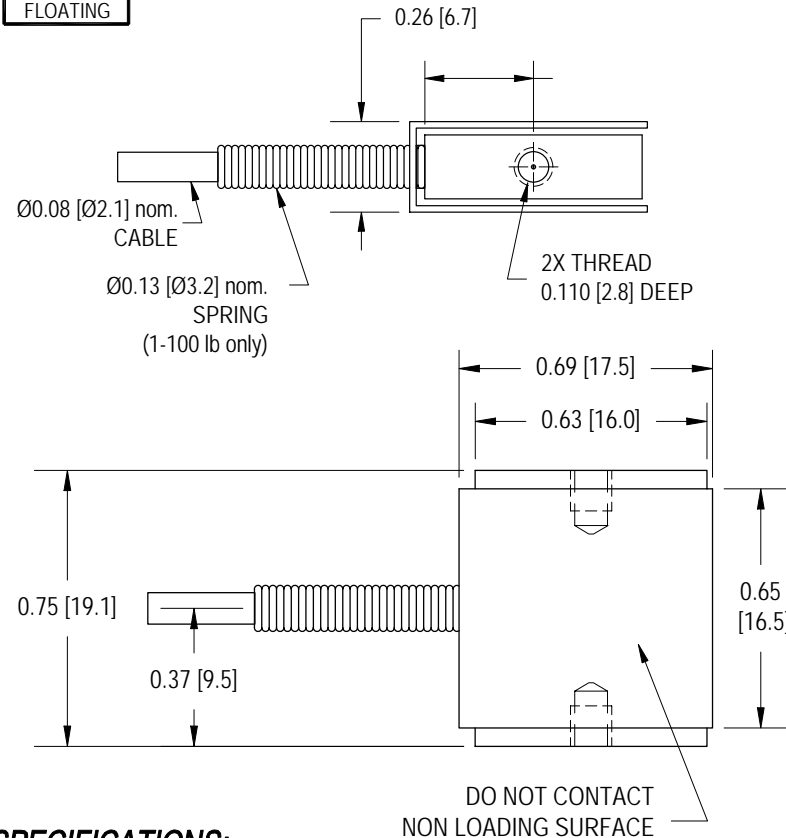
DESIGNED FOR INLINE LOADING IN TENSION & COMPRESSION
AVAILABLE IN #4-40 AND M3x0.5 METRIC THREADS

Drawing Number: F11041-C

INCH [mm] | R.O.= Rated Output

WIRING CODE (WC1)

+Excitation	-Excitation	+Signal	-Signal
RED	BLACK	GREEN	WHITE
Shield			
FLOATING			



SPECIFICATIONS:

RATED OUTPUT	SEE CHART
SAFE OVERLOAD	1000% of R.O.
ZERO BALANCE**	200% of R.O. Tension Only (50-100 lb)*
EXCITATION (VDC OR VAC)	±3% of R.O., ±5% of R.O. (10-20g)
BRIDGE RESISTANCE	10 Max
NONLINEARITY	SEE CHART
HYSTERESIS	±0.1% of R.O.
NONREPEATABILITY	±0.1% of R.O.
TEMP. SHIFT ZERO	±0.05% of R.O.
TEMP. SHIFT SPAN	±0.01% of R.O./°F [0.018% of R.O./°C]
COMPENSATED TEMP.	±0.02% of LOAD/°F [0.036% of LOAD/°C]
OPERATING TEMP.	60 to 160°F [15 to 72°C]
MATERIAL	-60 to 200°F [-50 to 93°C]
WEIGHT	ALUMINUM (10g-10lb), STAINLESS STEEL (25-100lb)
DEFLECTION	0.3 oz [9 g]
CABLE: #29 AWG, 4 Conductor, Spiral Shielded Silicone Cable, 5 ft [1.5 m] Long	0.003-0.005 [0.07-0.13]
ACCESSORIES AND RELATED INSTRUMENTS AVAILABLE	
CALIBRATION (STD)	5 pt TENSION; SEE CHART FOR SHUNT CAL VALUE.
CALIBRATION (AVAILABLE)	COMPRESSION
CALIBRATION TEST EXCITATION	5 VDC
*SENSOR STRUCTURE CAN HANDLE HIGH OVERLOADS BUT #4-40 and M3x0.5	
THREADS MAY LIMIT OVERLOAD AT HIGHER CAPACITY	
** ZERO BALANCE IS BASED ON LAYING SENSOR ON ITS SIDE (THREADS HORIZONTAL)	

Stock #	Capacity lb (N)	Thread Size	R.O. (nom.)	BRIDGE RESISTANCE	SHUNT CAL. VALUE		
FSH02534	10g	#4-40	0.5 mV/V	1000 Ω nom.	301K Ω		
FSH02319	(0.1)	M3x0.5					
FSH02666	20g	#4-40	1 mV/V				
FSH02667	(0.2)	M3x0.5					
FSH02535	50g	#4-40	2 mV/V			350 Ω nom.	60.4K Ω
FSH02663	(0.5)	M3x0.5					
FSH02536	100g	#4-40					
FSH02664	(1.0)	M3x0.5					
FSH02602	250g	#4-40					
FSH02665	(2.5)	M3x0.5					
FSH00091	1	#4-40					
FSH00101	(4.5)	M3x0.5					
FSH00092	2	#4-40					
FSH00102	(8.9)	M3x0.5					
FSH00093	5	#4-40					
FSH00103	(22.2)	M3x0.5					
FSH00095	10	#4-40					
FSH00104	(44.5)	M3x0.5					
FSH00096	25	#4-40					
FSH00105	(111)	M3x0.5					
FSH00097	50	#4-40					
FSH00106	(222)	M3x0.5					
FSH00098	100	#4-40					
FSH00107	(445)	M3x0.5					