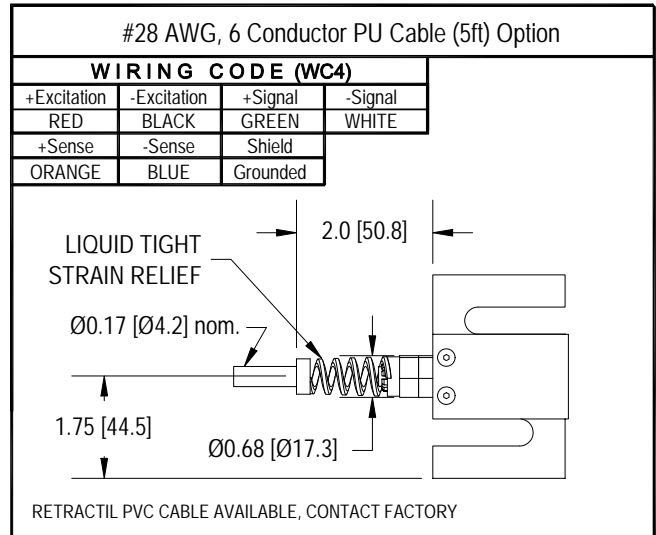
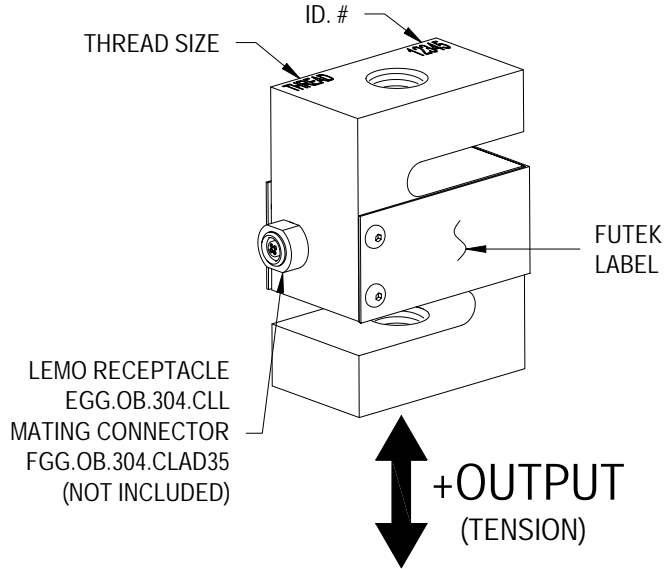
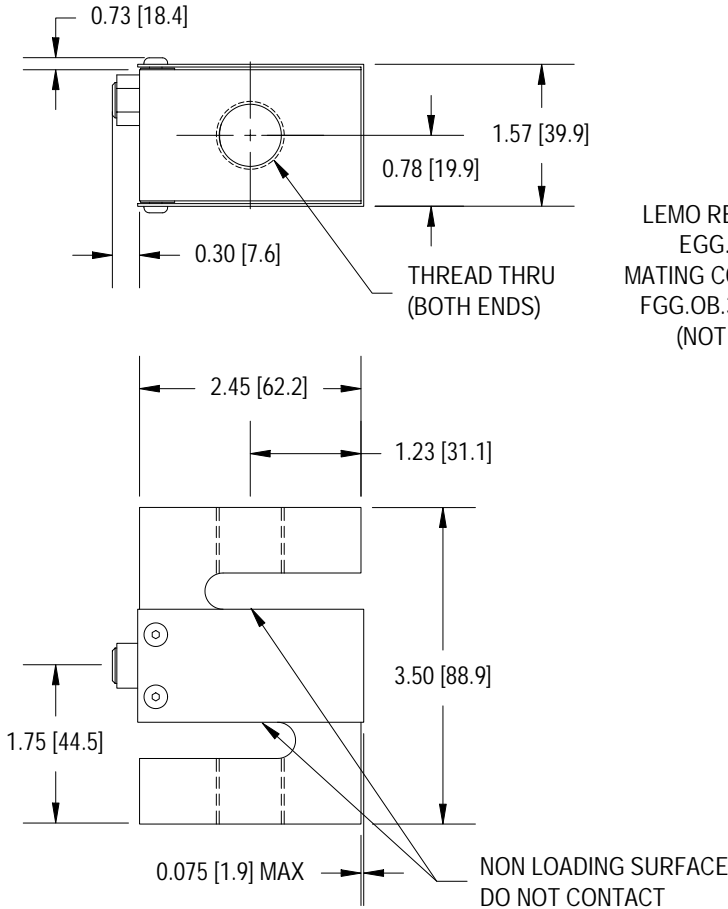


S-BEAM LOAD CELL IN TENSION AND COMPRESSION (PREVIOUSLY L2350/L2351)

Drawing Number: FI1074

INCH [mm]		R.O.= Rated Output	
WIRING CODE (CC4)			
+Excitation	-Excitation	+Signal	-Signal
RED	BLACK	GREEN	WHITE



SPECIFICATIONS:

RATED OUTPUT	2 mV/V <i>nom.</i>
SAFE OVERLOAD	150% of R.O.
ZERO BALANCE	±1% of R.O.
EXCITATION (VDC OR VAC)	20 MAX
BRIDGE RESISTANCE	350 Ω <i>nom.</i>
NONLINEARITY	±0.05% of R.O.
HYSTERESIS	±0.05% of R.O.
NONREPEATABILITY	±0.05% of R.O.
CREEP	±0.025% of LOAD
TEMP. SHIFT ZERO	±0.001% of R.O./°F [0.0018% of R.O./°C]
TEMP. SHIFT SPAN	±0.0008% of LOAD/°F [0.0014% of LOAD/°C]
COMPENSATED TEMP.	60 to 160°F [15 to 72°C]
OPERATING TEMP.	-60 to 200°F [-50 to 93°C]
WEIGHT	53 oz [1500 g]
MATERIAL	17-4PH S.S.
DEFLECTION	0.003 to 0.010 [0.08 to 0.25] <i>nom.</i>
CONNECTOR:	4 Pin LEMO Receptacle (EGG.OB.304.CLL)
ACCESSORIES AND RELATED INSTRUMENTS	
CALIBRATION (STD)	5 pt TENSION; 60.4 KΩ SHUNT CAL. VALUE
CALIBRATION (AVAILABLE)	COMPRESSION
CALIBRATION TEST EXCITATION	10 VDC

STK#	CAPACITY lb	N	THREAD	CONNECTOR LEMO	CABLE
FSH00977	5000	22240	3/4-16	X	
FSH02064					X
FSH00976			M16 X 2	X	
FSH01594					X
FSH00979	10000	44480	3/4-16	X	X
FSH02066					X
FSH00978			M16 X 2	X	
FSH01516					X