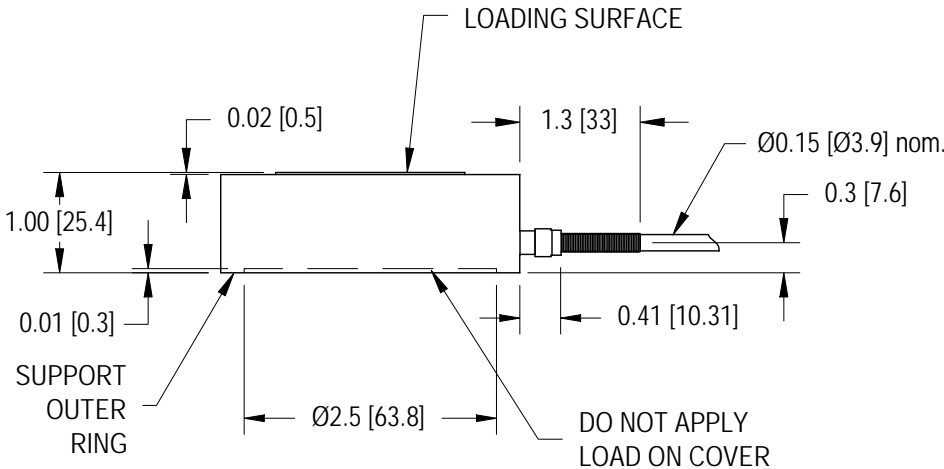
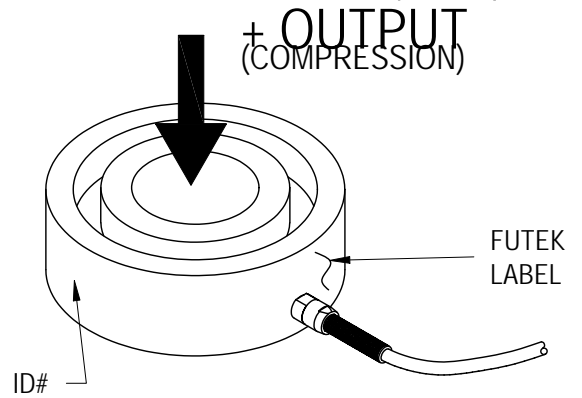
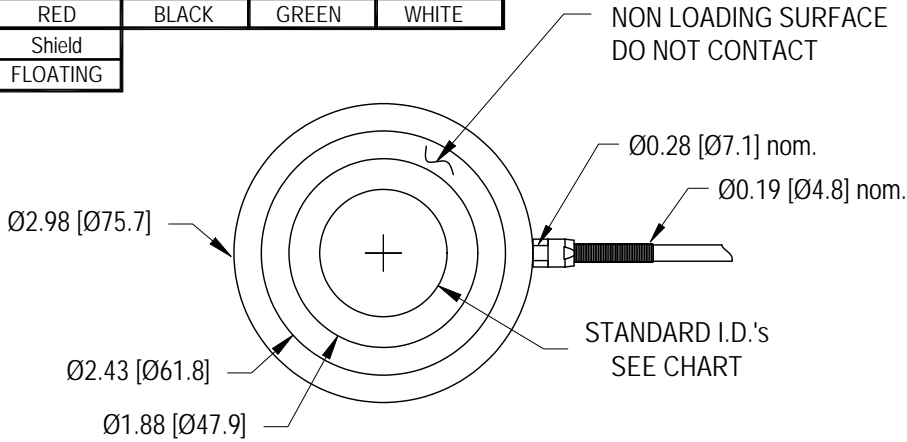


DONUT/ THRU HOLE LOAD CELL

AVAILABLE WITH I.D.'S FROM 1/8 TO 1 1/4

LTH500 (L2763)

INCH [mm]		R.O.= Rated Output	
WIRING CODE (WC1)			
+Excitation	-Excitation	+Signal	-Signal
RED	BLACK	GREEN	WHITE
Shield			
FLOATING			



ID	Inner Diameter DIMENSION
1/8	0.136/0.134 [3.45/3.40]
3/16	0.199/0.197 [5.06/5.01]
1/4	0.261/0.259 [6.63/6.58]
5/16	0.324/0.322 [8.23/8.18]
3/8	0.386/0.384 [9.80/9.75]
7/16	0.449/0.447 [11.40/11.35]
1/2	0.511/0.509 [12.98/12.93]
9/16	0.574/0.572 [14.58/14.53]
5/8	0.636/0.634 [16.15/16.10]
3/4	0.771/0.769 [19.58/19.53]
7/8	0.896/0.894 [22.76/22.71]
1	1.021/1.019 [25.93/25.88]
1 1/4	1.271/1.269 [32.28/32.23]

NOTE:

WHILE TORQUING BOLTS, HIGH TENSION FORCES WILL OCCUR DURING INSTALLATION, WHICH COULD RESULT IN OVERLOADING THE SENSOR. FUTEK RECOMMENDS CONNECTING SENSOR TO A SYSTEM IN ORDER TO MONITOR THE APPLIED FORCES. FUTEK IS NOT LIABLE OR RESPONSIBLE FOR THE MISHANDLING OF THE SENSOR DURING INSTALLATION.

SPECIFICATIONS:

RATED OUTPUT
CAPACITY lb
N

SAFE OVERLOAD
ZERO BALANCE
EXCITATION (VDC OR VAC)
BRIDGE RESISTANCE

NONLINEARITY
HYSTERESIS
NONREPEATABILITY
TEMP. SHIFT ZERO
TEMP. SHIFT SPAN
COMPENSATED TEMP.

OPERATING TEMP.
WEIGHT
MATERIAL

DEFLECTION
CABLE: #24 AWG, 4 Conductor, Spiral Shielded Teflon Cable 10 ft [3 m] Long

ACCESORIES AND RELATED INSTRUMENTS AVAILABLE
CALIBRATION (STD)

CALIBRATION TEST EXCITATION

2 mV/V nom.

2000, 3000, 5000, 7500, 10000, 15000, 20000, 30000, 50000
8896, 13344, 22240, 33360, 44480, 66720, 88960, 133440, 222400
150% of R.O.

±1% of R.O.

18 MAX

700 Ω nom.

±0.5% of R.O.

±0.5% of R.O.

±0.5% of R.O.

±0.005% of R.O./°F [0.01% of R.O./°C]

±0.005% of LOAD/°F [0.01% of LOAD/°C]

60 to 160°F [15 to 72°C]

-60 to 200°F [-50 to 93°C]

26 oz [737 g]

17-4PH S.S.

0.002 [0.05] nom.

CABLE: #24 AWG, 4 Conductor, Spiral Shielded Teflon Cable 10 ft [3 m] Long

ACCESORIES AND RELATED INSTRUMENTS AVAILABLE

CALIBRATION (STD) 5 pt. COMPRESSION; 100K Ω SHUNT CAL. VALUE

CALIBRATION TEST EXCITATION 10 VDC

IMPROVED ACCURACY

AVAILABLE CONTACT

FACTORY