

FLANGE TO FLANGE REACTION TORQUE SENSOR (Previously T5400)

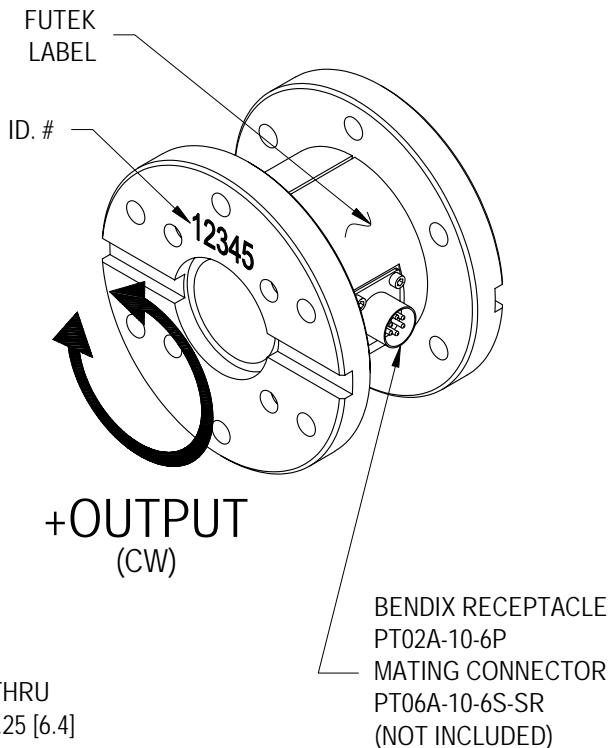
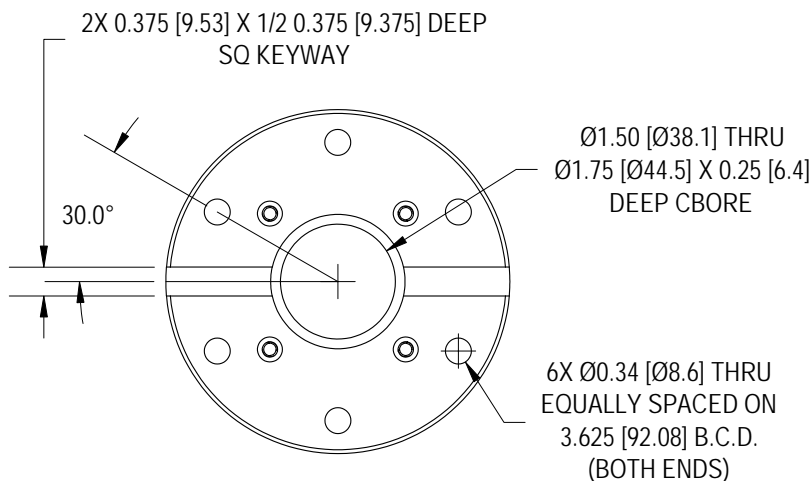
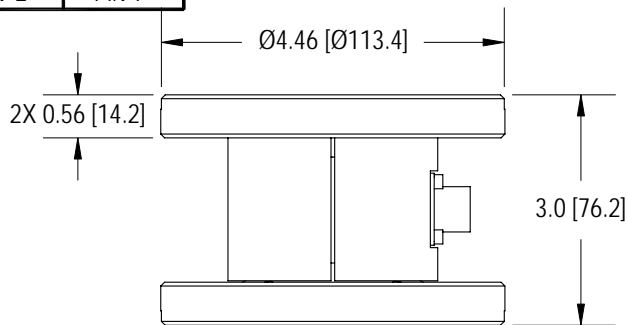
MODEL TFF600

Drawing Number: F11143

INCH [mm] | R.O.= Rated Output

WIRING CODE (CC1)

+Excitation	-Excitation	+Signal	-Signal
RED PIN 'A'	BLACK PIN 'B'	GREEN PIN 'C'	WHITE PIN 'D'
+Sense	-Sense		
ORANGE PIN 'E'	BLUE PIN 'F'		



SPECIFICATIONS:

- RATED OUTPUT** 2 mV/V nom.
- SAFE OVERLOAD** 150% of R.O.
- ZERO BALANCE** ±1% of R.O.
- EXCITATION (VDC OR VAC)** 18 MAX
- BRIDGE RESISTANCE** 350 Ω nom.
- NONLINEARITY** ±0.2% of R.O.
- HYSTERESIS** ±0.2% of R.O.
- NONREPEATABILITY** ±0.2% of R.O.
- TEMP. SHIFT ZERO** ±0.002% of R.O./°F [0.0036% of R.O./°C]
- TEMP. SHIFT SPAN** ±0.002% of LOAD/°F [0.0036% of LOAD/°C]
- COMPENSATED TEMP.** 60 to 160°F [15 to 72°C]
- OPERATING TEMP.** -60 to 200°F [-50 to 93°C]
- MATERIAL (FLEXURE)** ALUMINUM (1000 to 2000 in-lb)
17-4PH S.S. (5000 to 10000 in-lb)
- MATERIAL (COVER)** ALUMINUM
- CONNECTOR:** 6 Pin BENDIX Receptacle (PT02A-10-6P)
- ACCESSORIES AND RELATED INSTRUMENTS AVAILABLE**
- CALIBRATION (STD)** 5 pt. CW; 60.4KΩ SHUNT CAL. VALUE
- CALIBRATION (AVAILABLE)** CCW
- CALIBRATION TEST EXCITATION** 10 VDC

STK#	CAPACITY		WEIGHT	TORSIONAL STIFFNESS
	in-lb	Nm		ft-lb/rad
FSH00680	1000	113	2 lb [0.9 Kg]	26000
FSH00681	2000	225		53000
FSH00682	5000	565	5 lb [2.3 Kg]	1.43 X 10 ⁵
FSH00683	10000	1130		2.99 X 10 ⁵

*FOR LOWER CAPACITIES REFER TO TFF400, TSS400, TDD400, TDF400