



NS-205/NS-205R NS-205A

NS-105A

Unmanaged 5-port Industrial 10/100 Mbps Ethernet Switch

Features

- Automatic MDI/MDI-X crossover for plug-and-play
- Each port supports 10/100 and 1000 Mbps speed auto negotiation
- Full duplex IEEE 802.3x and half duplex backpressure flow control
- Store-and-forward architecture
- Supports +12 VDC ~ +56 VDC for NS-205A



Introduction

The NS-205/NS-205A/NS-105A has 5 Ethernet Switching ports that support 10/100 Base-TX, with a 10/100M auto-negotiation feature and auto MDI/MDI-X function. It can connect 5 workstations and automatically switches the transmission speed (10 Mbps or 100 Mbps) for corresponding connections. The flow control mechanism is also negotiated. There is activity/link/data rate LEDs for each port to aid trouble-shooting. Port connectors are shielded RJ-45. It contains "soft start" function with overload protection, high-low voltage protection. The width of the NS-205/NS-205A is just 33 mm, so it can be used where space is limited.

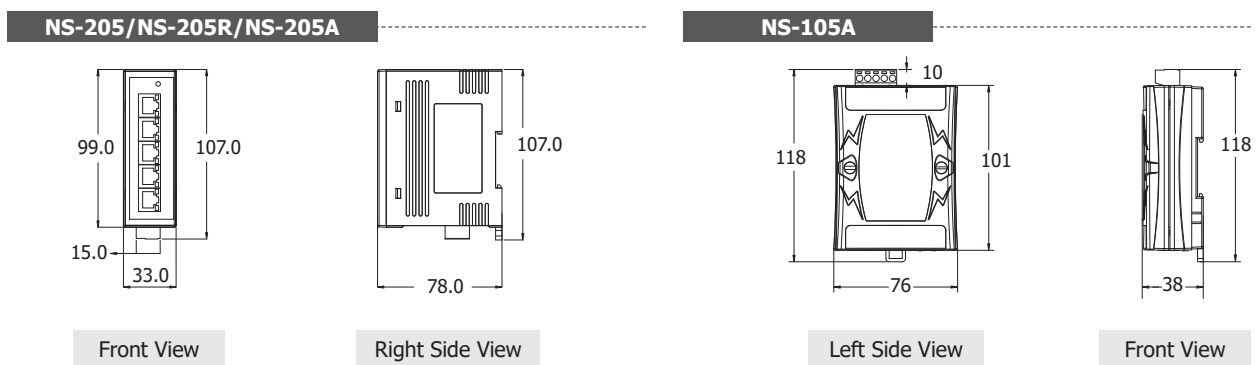
The NS-205A/NS-105A provides +12 VDC ~ +56/53 VDC power input to fit various power source.

Specifications

| Model | NS-205 | NS-205R | NS-205A | NS-105A |
|-----------------------------|---------------------------------------|---------|--|------------------------------|
| LED Indicators | | | | |
| Status | Power, Link/Act, 10/100M | | | |
| Ethernet | | | | |
| Ports | 5 x RJ-45, 10/100Base-TX | | | |
| Standards | IEEE 802.3, 802.3u, 802.3x | | | |
| Processing Type | Store & forward; wire speed switching | | | |
| MAC Table | 1024 | | 2048 | |
| Frame Buffer Memory | 256 Kbit | | 768 Kbit | |
| Flow Control | IEEE 802.3x flow control | | IEEE 802.3x flow control, back pressure flow control | |
| Isolation | 1500 Vrms 1 minute | | | |
| Power | | | | |
| Reverse Polarity Protection | Yes | | | |
| Input Range | +10 ~ +30 VDC (Non-isolated) | | +12 ~ +56 VDC (Non-isolated) | +12 ~ +53 VDC (Non-isolated) |
| Consumption | 0.1 A @ 24 VDC | | | |
| Mechanical | | | | |
| Casing | Plastic | | | |
| Dimensions (mm) | 33 x 107 x 78 (W x L x H) | | | 76 x 118 x 38 (W x L x H) |
| Installation | DIN-Rail Mounting | | | |
| Environment | | | | |
| Operating Temperature | -40 °C ~ +75 °C | | | |
| Storage Temperature | -40 °C ~ +85 °C | | | |
| Humidity | 10% ~ 90% RH, non-condensing | | | |



Dimensions (Units: mm)



Ordering Information

| | |
|-------------------|---|
| NS-205 CR | Unmanaged 5-port Industrial Ethernet Switch (RoHS) |
| NS-205R CR | Unmanaged 5-port Industrial 10/100 Mbps Ethernet Switch with conformal coating (RoHS) |
| NS-205A CR | Unmanaged 5-port Industrial Ethernet Switch with Power Input +12 VDC ~ +56 VDC (RoHS) |
| NS-105A CR | Unmanaged 5-port Industrial Ethernet Switch with Power Input +12 VDC ~ +53 VDC (RoHS) |

Accessories

| | |
|---------------------|--|
| GPSU06U-6 CR | Power Supply, 110~240 VAC to 24 VDC/0.25 A, 6 W, two pins USA plug (RoHS) |
| GPSU06E-6 CR | Power Supply, 110~240 VAC to 24 VDC/0.25 A, 6 W, two pins EURO plug (RoHS) |
| MDR-20-24 CR | Power Supply, 85~264 VAC to 24 VDC/1 A, 24 W, DIN-rail mounting (RoHS) |
| MDR-60-48 CR | Power Supply, 85~264 VAC to 48 VDC/1.25 A, 60 W, DIN-rail mounting (RoHS) |