

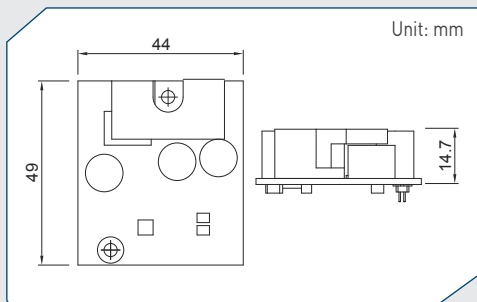
Cincoze CFM PoE Module



CFM-PoE100

PoE Control Function Module, Power Boost 50-57V

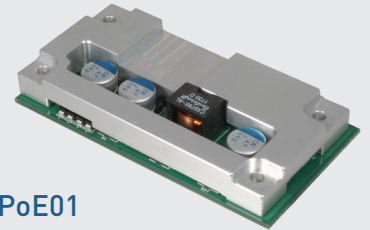
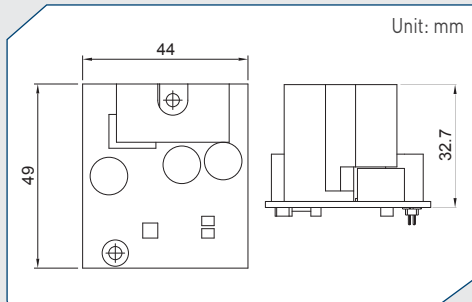
- CFM Interface
- IEEE 802.3at compliant
- Power Boost 50-57V
- Dimension (WxDxH) : 44 x 49 x 14.7 mm



CFM-PoE101

PoE Control Function Module, Power Boost 50-57V

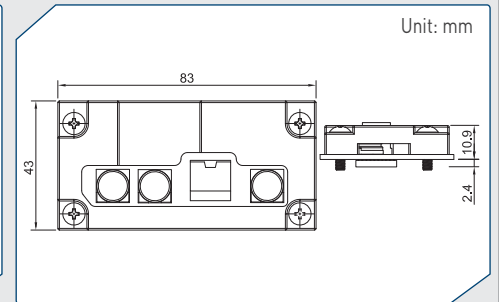
- CFM Interface
- IEEE 802.3at compliant
- Power Boost 50-57V
- Dimension (WxDxH) : 44 x 49 x 32.7 mm



CFM-PoE01

PoE Control Function Module, Power Boost 50-57V

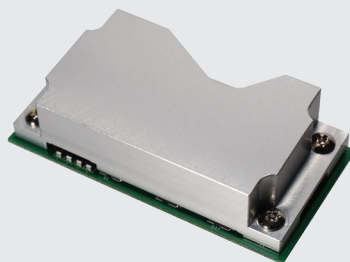
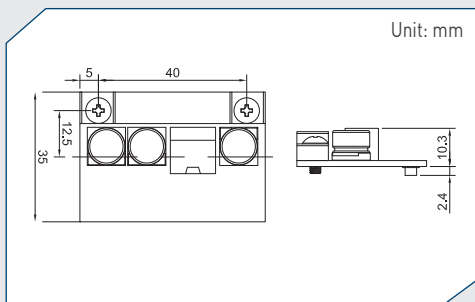
- CFM Interface
- IEEE 802.3at compliant
- Power Boost 50-57V
- Dimension (WxDxH) : 83 x 43 x 10.9 mm



CFM-PoE02

PoE Control Function Module, Power Boost 50-57V

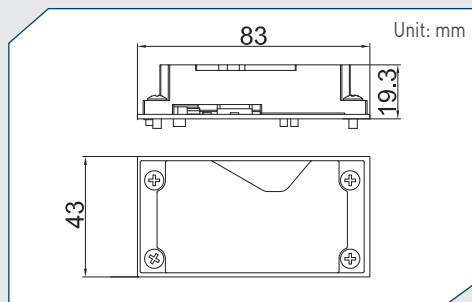
- CFM Interface
- IEEE 802.3at compliant
- Power Boost 50-57V
- Dimension (WxDxH) : 40 x 35 x 10.3 mm



CFM-PoE03

PoE Control Function Module, Power Boost 50-57V

- CFM Interface
- IEEE 802.3at compliant
- Power Boost 50-57V
- Dimension (WxDxH) : 83 x 43 x 19.3 mm



CFM Module Compatible List

Model No.	CFM-PoE100	CFM-PoE101	CFM-PoE01	CFM-PoE02	CFM-PoE03
P1101				V	
P2002	V				
P2002E		V			
DA-1100					
DX-1000			V		
DX-1100			V		
DS-1200					V
DS-1201					V
DS-1202					V
DC-1200				V	

V : Compatible

Ordering Information

Model No.	Product Description
CFM-PoE100	PoE Control Function Module, Individual port 25.5W
CFM-PoE101	PoE Control Function Module, Individual port 25.5W
CFM-PoE01	PoE Control Function Module, Individual port 25.5W
CFM-PoE02	CFM Module with PoE Control Function, Individual Port 25.5W
CFM-PoE03	CFM Module with PoE Control Function, Individual Port 25.5W