

# Cincoze Power Adapter Holder



**PAH01**

Power Adapter Holder for GST120A24

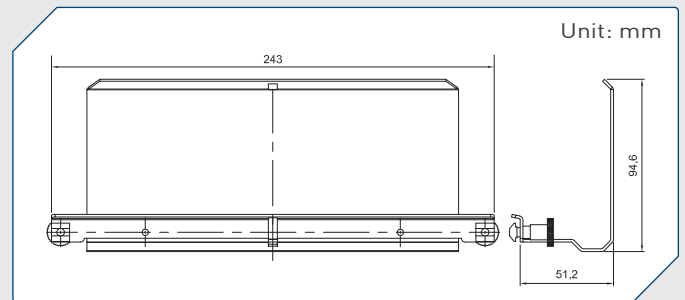
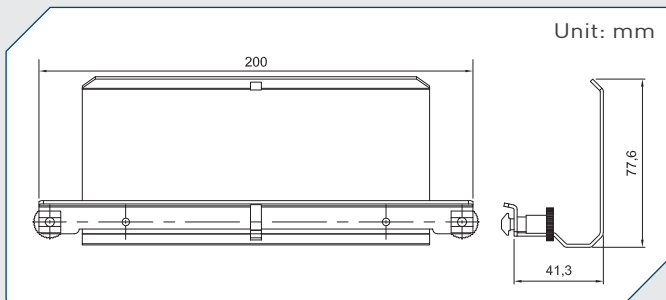
•Dimension (WxDxH) : 200 x 41.3 x 77.6 mm



**PAH02**

DS Series Power Adapter Holder for GST220A24

•Dimension (WxDxH) : 243 x 51.2 x 94.6 mm



## Power Adapter Holder Compatible List

Model No.	PAH01	PAH02
DS-1000	✓	✓
DS-1001	✓	✓
DS-1002	✓	✓
DS-1100	✓	✓
DS-1101	✓	✓
DS-1102	✓	✓
DS-1200	✓	✓
DS-1201	✓	✓
DS-1202	✓	✓

✓ : Compatible



## Ordering Information

Model No.	Product Description
PAH01	DS Series Power Adapter Holder for GST120A24
PAH02	DS Series Power Adapter Holder for GST220A24