

M1001

Monitor Module with 1x USB, 1x COM, 1x VGA,
1x DVI-D and 1x DisplayPort



Key Features

- 1x VGA, 1x DVI-D, 1x DisplayPort Input Interface
- 1x USB, 1x COM, 1x Audio Input
- OSD Control Pad: LCD On/Off, Auto, Menu, Up and Down
- Multi-language OSD Function
- Wide Range Power Input 9~48VDC
- Support Wall / VESA / CDS Mounting
- Convertible Display System (CDS) Supported
- Built-in Two 5W Internal Speakers

»» Overview

M1001 is a monitor module which supports Convertible Display Systems (CDS) technology; it is compatible with Cincoze Display Modules for different display sizes and touchscreens.

M1001 offers both digital and analog signal input via three types of display interface: VGA, DVI-D and DisplayPort. In addition, it has OSD function for adjusting the viewing options of display and supports 1x USB and 1x COM ports for connecting with touch screen. Moreover, M1001 supports wide range power DC input from 9 to 48VDC and offers panel mount, wall mount and VESA mount. It can be powered and deployed for various applications.

»» Specifications

System

- 1x VGA Input
- 1x DVI-D Input
- 1x DisplayPort Input
- 1x Audio Input
- 1x USB 2.0 Input
- 1x COM Port Input (Resistive Touch Only)
(USB & COM Port are reserved for the connection to enable touch usage only)

Other Features

- Audio: AMP 5W + 5W (Internal Speaker)
- OSD Function: LCD On/Off, Auto, Menu, Up and Down
- Multi-language OSD Function

Power

- 1x 3-pin Terminal Block Connector with Power Input 9~48VDC
- 1x Optional AC/DC 12V/5A, 60W Power Adapter

Environment

- Operating Temperature: Ambient with Air Flow: -5°C to 60°C (with Industrial Grade Peripherals)
- Storage Temperature: -20°C to 75°C
- Relative humidity: 10%~95% (non-condensing)

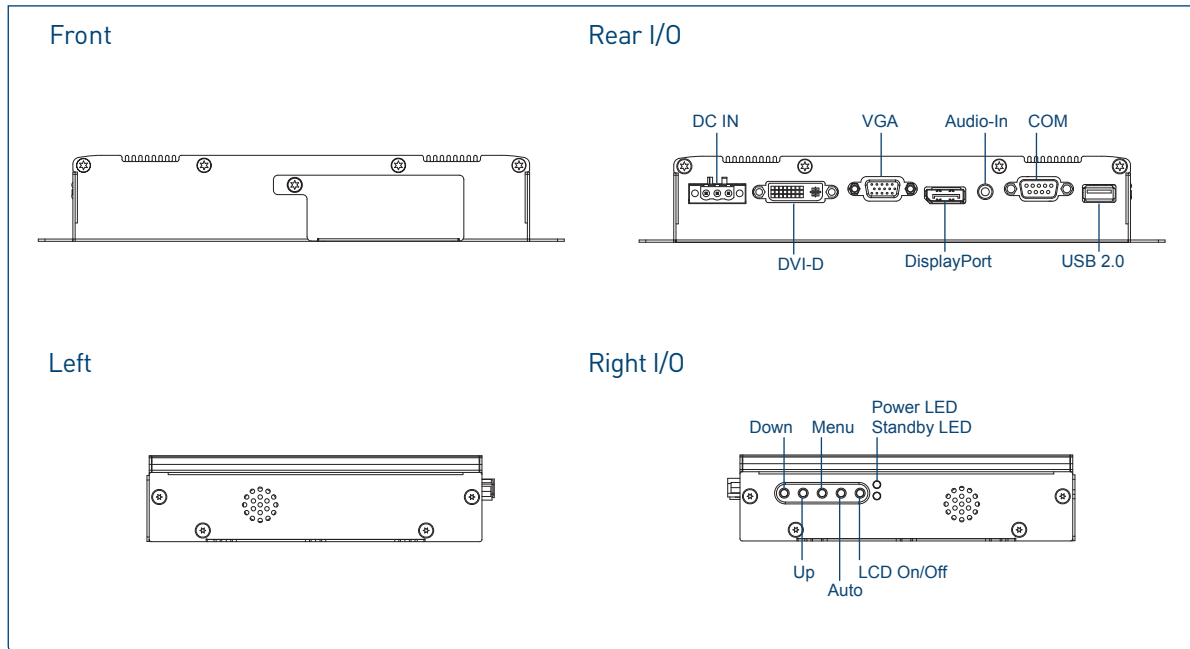
Physical

- Dimension (WxDxH, mm): 204.5 X 149 X 38.5 mm
- Weight: 1.12 kg
- Construction: Extruded Aluminum with Heavy Duty Metal
- Mounting: Wall / VESA / CDS Mounting

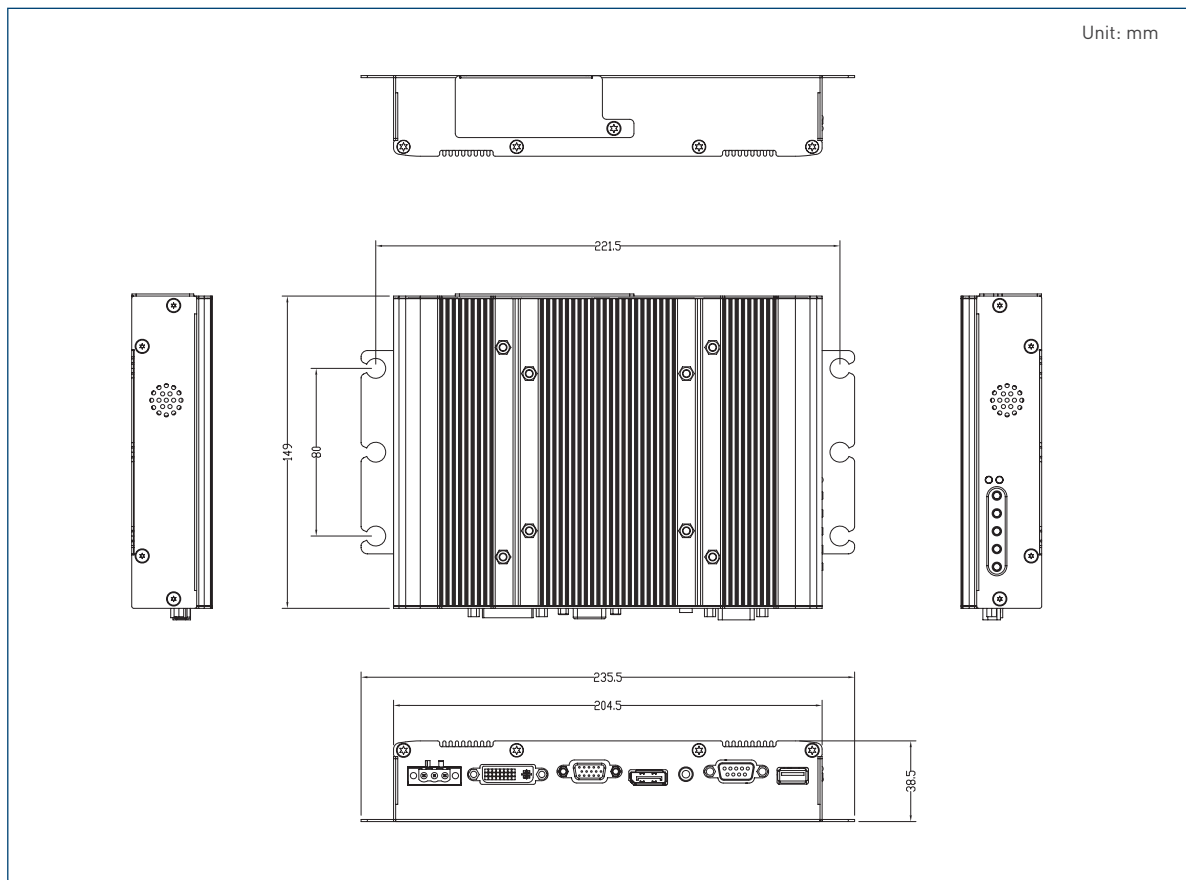
Certification

- CE
- FCC Class A

External I/O Mechanical Layout



Dimensions



»» Ordering Information

Available Models

Model Name	Product Description
M1001	Monitor Module with 1x USB, 1x COM, 1x VGA, 1x DVI-D and 1x DisplayPort

Package Checklist

- M1001 Monitor Module x 1
- Utility DVD Driver x 1
- USB Cable x 1
- VGA Cable x 1
- Power Terminal Block Connector (Female) x 1
- Screw Pack x 1

Optional Accessories

Model No.	Description
GST60A12-CIN1	Adapter AC/DC 12V 5A 60W, GST60A12-CIN1, wide temp (-30°C ~ +70°C), level VI
DVI-D Cable	DVI-D male to DVI-D male Cable 1.8M
SL2-SL3	US 2 heads power cord, US B type to IEC C13, SVT 18AWG/3C Black 1.8M SL-2+SL-3
SL6-SL3	EU 2 heads power cord, EU G type to IEC C13, H05VV-F 0.75mm2/3G Black 1.8M SL-6+SL-3
QP026-SL3	UK 2 heads power cord, UK I type to IEC C13 ,H05VV-F 0.75mm2/3G Black 1.8M QP026+SL-3