

# P1001E

Intel® Atom™ E3845 Quad Core PC Module, 4x USB, 2x COM, 1x VGA and 1x DisplayPort



## Key Features

- Onboard Intel® Atom™ E3845 Processor Quad Core, 1.91GHz
- 1x DDR3L SO-DIMM max. up to 8GB
- 1x 2.5" SATA HDD bay, 1x CFast Card and 1x SIM Card Socket
- 2x LAN, 4x USB, 2x COM, 1x VGA, 1x DisplayPort
- 4x Isolated DI, 4x Isolated DO
- Wide Range Power Input 9~48VDC
- 1x Mini-PCIe Expansion Socket
- Support Wall / VESA / CDS Mounting
- Convertible Display System (CDS) Supported
- Built-in Two 2W Internal Speakers



## »» Overview

Powered by Intel® Atom™ E3845 Quad Core 1.91GHz, P1001E is the fanless PC module. It supports Convertible Display System (CDS) technology which allows you to configure, upgrade and maintain your Convertible Panel PC. P1001E offers extensive I/O including 4x USB, 2x RS232/422/485, 1x VGA, 1x DisplayPort and 4 DI/ 4DO. In addition, it supports GSM and WLAN via 2x GbE and 1x Mini-PCIe slot. Furthermore, P1001E supports 3 types of storage devices including 2.5" SATA HDD, CFast and SIM card. The accessible design of these storage devices allows quick data access and easy maintenance. It supports wide range DC power input from 9~48 VDC. P1001E is an ideal solution for configuring your Convertible Panel PC. P1001E is a great fanless computer for various industrial applications.

## »» Specifications

### Processor System

- Onboard Intel® Atom™ Processor E3845 Quad Core, 1.91 GHz with AMI 64Mbit SPI BIOS.

### Memory

- 1x 204-Pin SO-DIMM DDR3L 1066 / 1333MHz (un-buffered and non-ECC), max. up to 8GB

### I/O Ports

- 1x VGA
- 1x DisplayPort
- 1x USB 3.0
- 3x USB 2.0
- 2x DB9 for COM1~2, Support RS232/422/485 with Auto Flow Control
- 1x Line-out
- 1x Mic-in
- 1x Power Switch
- 1x Reset Button
- 1x AT/ATX Switch

### Ethernet

- 2 x Intel® i210-IT GbE LAN Port, Support Wake-on-LAN and PXE

### Storage

- 1x 2.5" SATA HDD Bay
- 1x External CFast Socket
- 1x External SIM Card Socket

### Digital Input & Output

- 4x Digital Input (Source Type)
  - Input Voltage (Dry Contact):
    - Logic 0: Close to GND
    - Logic 1: Open
  - Input Voltage:
    - Logic 0: -3V (Min/DI to COM+)
- 4x Digital Output
  - Supply Voltage: 5~48VDC
  - Sink Current: 1A Max
  - DIO Max: 48V

### Expansion

- 1x Full-size Mini PCIe Socket for Wi-Fi / GSM / Expansion Module
- 2x Universal I/O Brackets

### Other Features

- Watchdog Timer: Software Programmable Supports 256 Levels System Reset
- Audio: AMP 2W + 2W (Internal Speaker)
- OSD Function: LCD On/Off, Brightness Up, Brightness Down

### Power

- Support AT, ATX Mode
- 1x 3-pin Terminal Block Connector with Power Input 9~48VDC
- 1x Optional AC/DC 12V/5A, 60W Power Adapter

### Environment

- Operating Temperature: Ambient with Air Flow: -20°C to 70°C (with Industrial Grade Peripherals)
- Storage Temperature: -30°C to 85°C
- Relative Humidity: 10%~95% (non-condensing)

### Physical

- Dimension (WxDxH, mm): 204.5 X 150 X 60 mm
- Weight: 1.54 kg
- Construction: Extruded Aluminum with Heavy Duty Metal
- Mounting: Wall / VESA / CDS Mounting

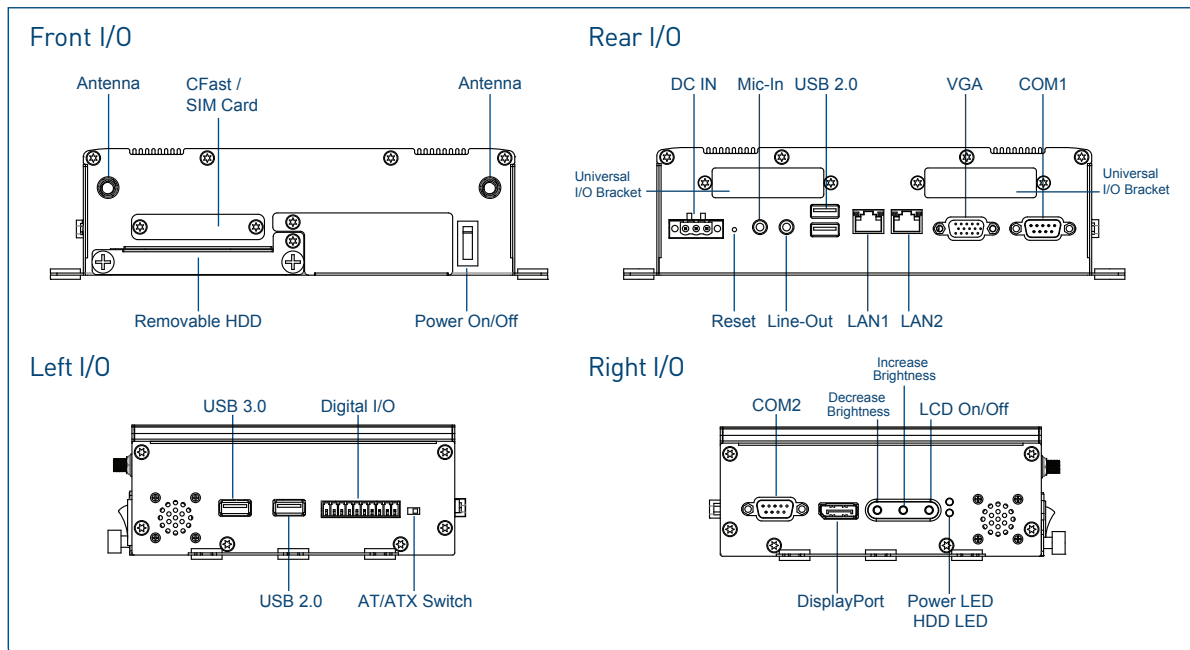
### Operating System

- Windows® 8
- Windows® Embedded Standard 8
- Windows® 7
- Windows® Embedded Standard 7

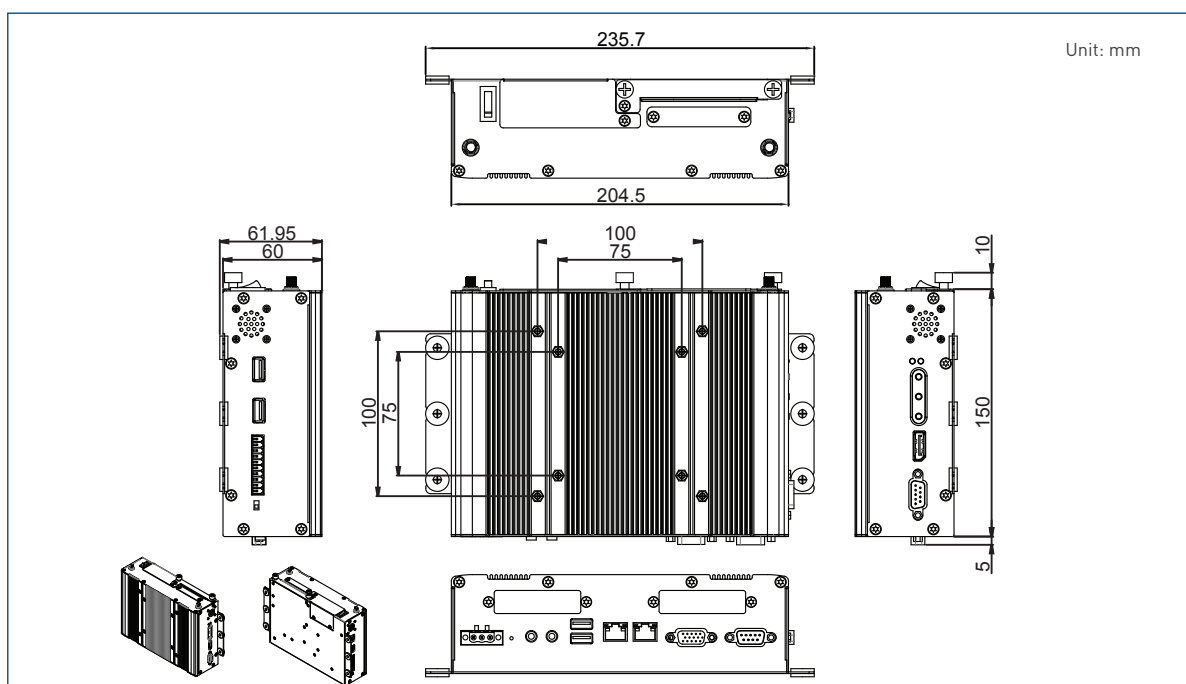
### Certification

- CE
- FCC Class A

## External I/O Mechanical Layout



## Dimensions



## »» Ordering Information

### Available Models

Model No.	Product Description
<b>P1001E</b>	Intel® Atom™ E3845 Quad Core PC Module , 4x USB, 2x COM, 1x VGA and 1x DisplayPort

### Package Checklist

- P1001E PC Module x 1
- Utility DVD Driver x 1
- DIO Terminal Block Connector (Female) x 1
- Power Terminal Block Connector (Female) x 1
- Screw Pack x 1

### Optional Accessories

Model No.	Description
GST60A12-CIN1	Adapter AC/DC 12V 5A 60W, GST60A12-CIN1, wide temp[-30°C ~ +70°C]
SL2-SL3	US 2 heads power cord, US B type to IEC C13, SVT 18AWG/3C Black 1.8M SL-2+SL-3
SL6-SL3	EU 2 heads power cord, EU G type to IEC C13, H05VV-F 0.75mm2/3G Black 1.8M SL-6+SL-3
QP026-SL3	UK 2 heads power cord, UK I type to IEC C13 ,H05VV-F 0.75mm2/3G Black 1.8M QP026+SL-3