

# FAN-EX104

External Fan with 4pin Terminal Block Plug and Mounting Bracket, Support Smart Fan



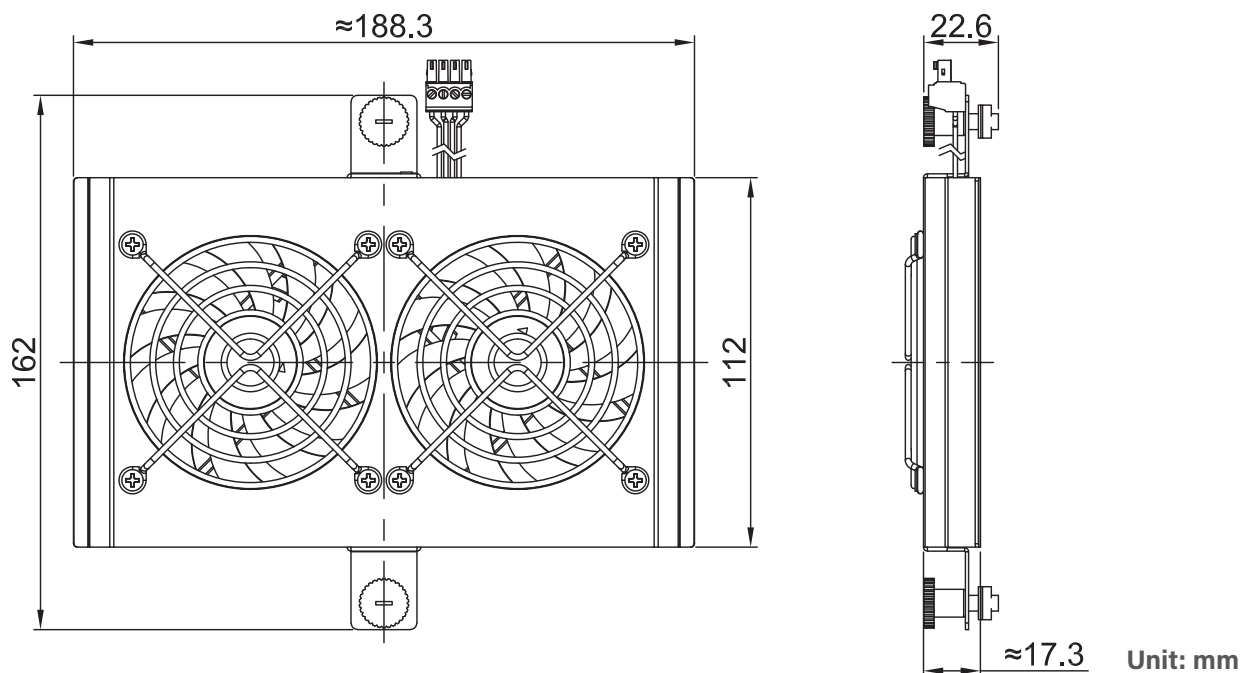
- External Fan Kit
- Easy Maintenance Design
- High Fan Speed For Greater Air Flow
- Support Smart Fan Function



## Specifications

Speed Reference	4000 RPM
Power Consumption	4.68 WATTS
Noise	35.7 dBA
Rated Voltage	12 VDC
Rated Current	0.35 AMP
Cable Length	16 cm
Interface	1x 4Pin Terminal Block
Dimension ( W x D x H )	188.3 x 162 x 22.6 mm

## Dimensions



## Ordering Information

### Available Models

**FAN-EX104** External Fan with 4pin Terminal Block Plug and Mounting Bracket, Support Smart Fan

### Package Check List

- External Fan Kit x1

## Compatible List

Model No.	FAN-EX104
DV-1000	V

Updated: Apr. 14, 2022.

© Cincoze Co., Ltd. All Rights Reserved. Specifications subject to change without notice. All product names, logos, and brands are the property of their respective owners. All company, product and service names used in this document are for identification purposes only. The use of these names, logos, and brands does not imply endorsement.