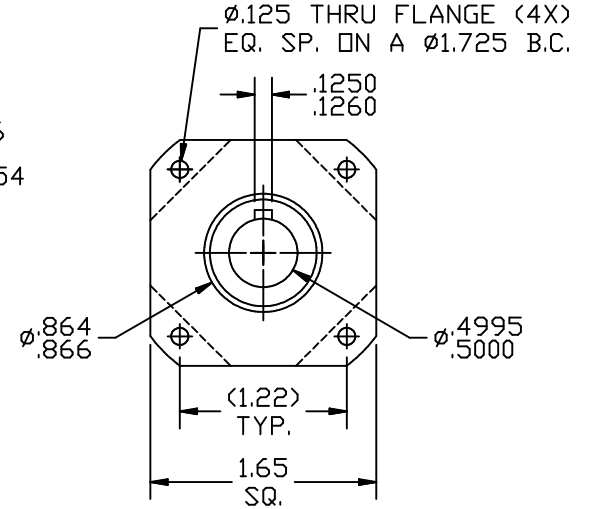
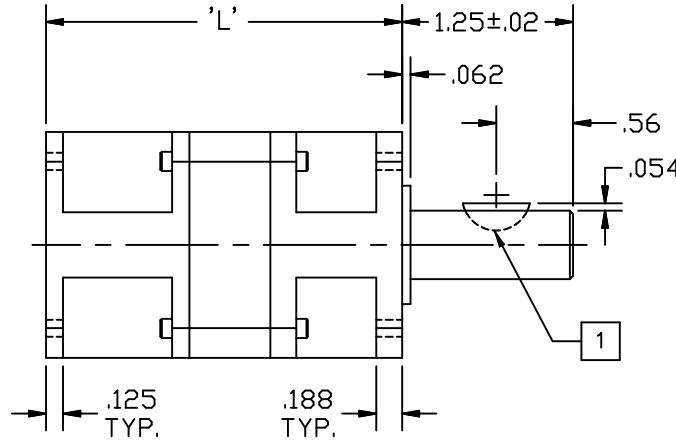
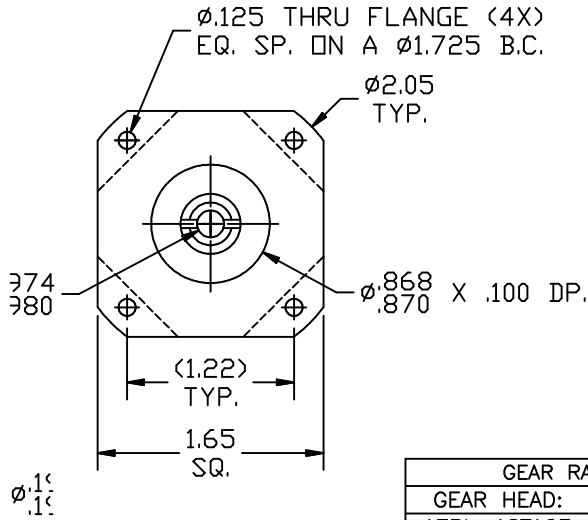


REVISIONS			
REV	DESCRIPTION	DATE	APPROVED
A	INITIAL RELEASE ECO 7249	1/8/16	J KORDIK

GEAR HEAD LENGTH	
PART NUMBER	'L'
17PL-1STAGE	2.62
17PL-2STAGE	3.28



GEAR RATIOS OFFERED		
GEAR HEAD:	RATIO:	DASH NO.
17PL-1STAGE	3:1	-003
	4:1	-004
	5:1	-005
	5.5:1	-0055
	7:1	-007
17PL-2STAGE	10:1	-010
	15:1	-015
	16:1	-016
	20:1	-020
	22:1	-022
	25:1	-025
	28:1	-028
	30:1	-030
	40:1	-040
	49:1	-049
50:1	-050	
55:1	-055	
70:1	-070	
100:1	-100	

TOLERANCES	THIRD ANGLE PROJECTION	
DECIMALS: INCH (MM) X.XXX = $\pm .005$ (0.013) X.XX = $\pm .01$ (0.25) X.X = $\pm 0.1$ (2.5)		
ANGLES: MACH. = $\pm 5^\circ$ CHAM. = $\pm 5^\circ$	APPROVALS	DATE
COMPUTER DATA BASE DRAWING	DRAWN	R JONEZ
	CHECKED	11/3/15
	APPROVED	

OUTLINE, GEAR HEAD, PL17, SINGLE AND DOUBLE STAGE		
B	DWG NO.	17PL-XXX
		REV A
SCALE: FULL		SHEET 1 OF 1