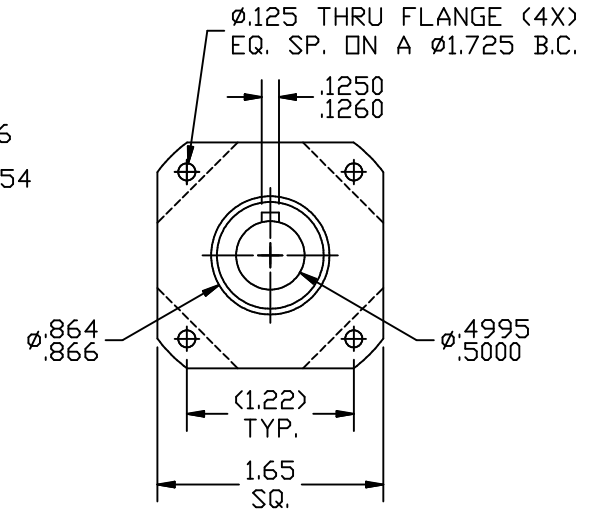
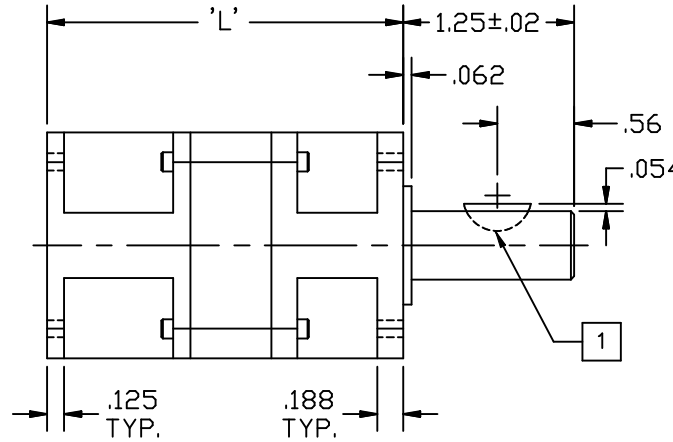
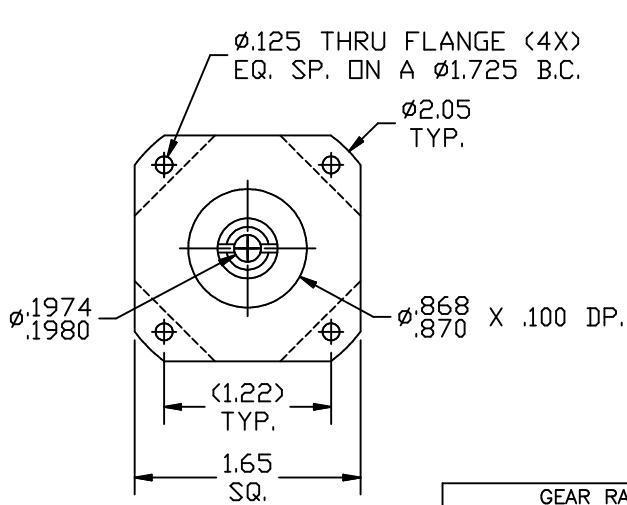


REVISIONS			
REV	DESCRIPTION	DATE	APPROVED
A	INITIAL RELEASE ECO 7249	1/8/16	J KORDIK

GEAR HEAD LENGTH	
PART NUMBER	'L'
17PL-1STAGE	2.62
17PL-2STAGE	3.28



GEAR RATIOS OFFERED		
GEAR HEAD:	RATIO:	DASH NO.
17PL-1STAGE	3:1	-003
	4:1	-004
	5:1	-005
	5.5:1	-0055
	7:1	-007
	10:1	-010
17PL-2STAGE	15:1	-015
	16:1	-016
	20:1	-020
	22:1	-022
	25:1	-025
	28:1	-028
	30:1	-030
	40:1	-040
	49:1	-049
	50:1	-050
	55:1	-055
	70:1	-070
	100:1	-100

TOLERANCES	THIRD ANGLE PROJECTION	
DECIMALS: INCH (MM) X.XXX = ±.005 (0.013) X.XX = ±.01 (0.25) X.X = ±0.1 (2.5) ANGLES: MACH. = ±.5° CHAM. = ±5°		
APPROVALS	DATE	
DRAWN R JONEZ	11/3/15	
CHECKED		
APPROVED		

OUTLINE, GEAR HEAD, PL17, SINGLE AND DOUBLE STAGE		
B	DWG NO. 17PL-XXX	REV A
SCALE: FULL		SHEET 1 OF 1