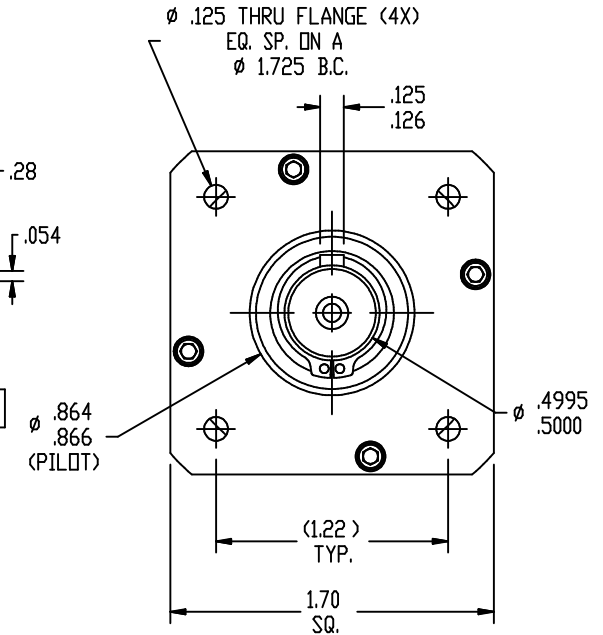
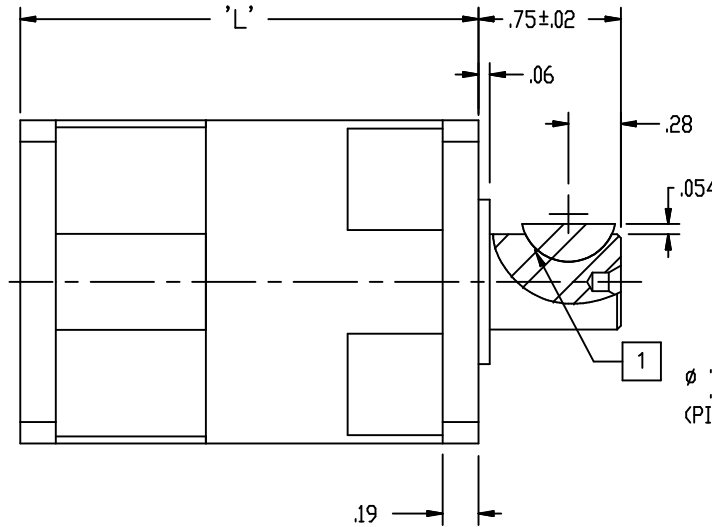
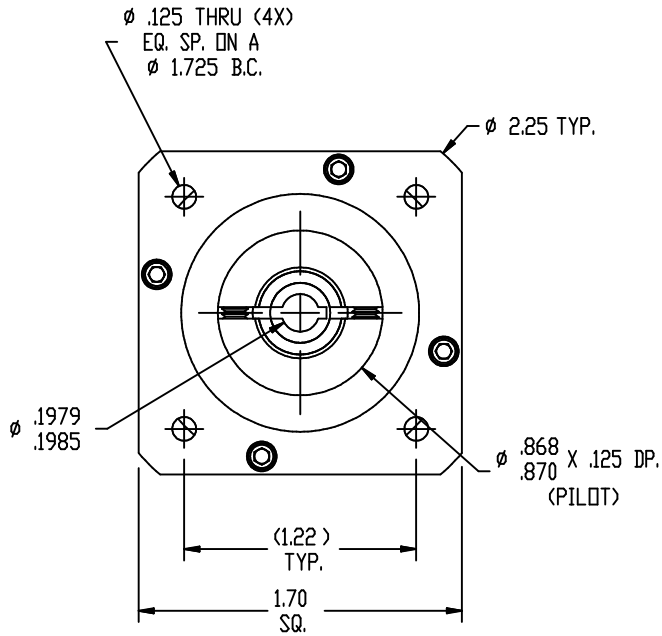


GEAR HEAD LENGTH	
PART NUMBER	'L'
17VL-1STAGE	2.41
17VL-2STAGE	2.96

REVISIONS			
REV	DESCRIPTION	DATE	APPROVED
A	INITIAL RELEASE ECO 7249	11/3/15	J KORDIK



GEAR RATIOS OFFERED		
GEAR HEAD:	RATIO:	DASH NO.
17VL-1STAGE	4:1	-004
	5:1	-005
	7:1	-007
	10:1	-010
17VL-2STAGE	15:1	-015
	20:1	-020
	25:1	-025
	28:1	-028
	40:1	-040
	50:1	-050
	70:1	-070
	100:1	-100

TOLERANCES	THIRD ANGLE PROJECTION	
DECIMALS: INCH (MM) X.XXX = $\pm .005$ (0.013) X.XX = $\pm .01$ (0.25) X.X = ± 0.1 (2.5) ANGLES: MACH. = $\pm .5^\circ$ CHAM. = $\pm 5^\circ$		
	APPROVALS	DATE
	DRAWN R JONEZ	11/3/15
	CHECKED	
	APPROVED	
COMPUTER DATA BASE DRAWING		

OUTLINE, GEAR HEAD, VL17, SINGLE AND DOUBLE STAGE			
B	DWG NO.	17VL-XXX	REV A
SCALE: FULL		SHEET 1 OF 1	