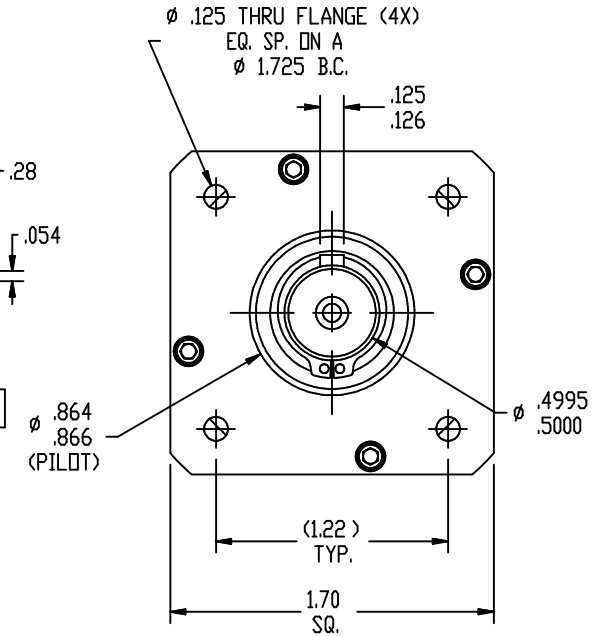
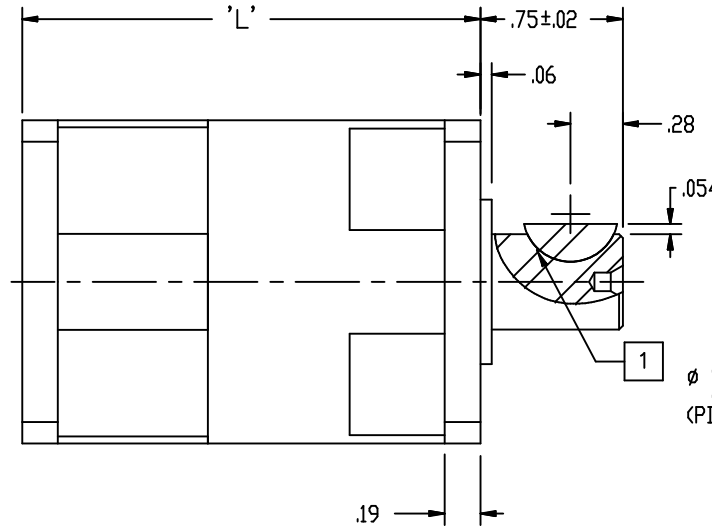
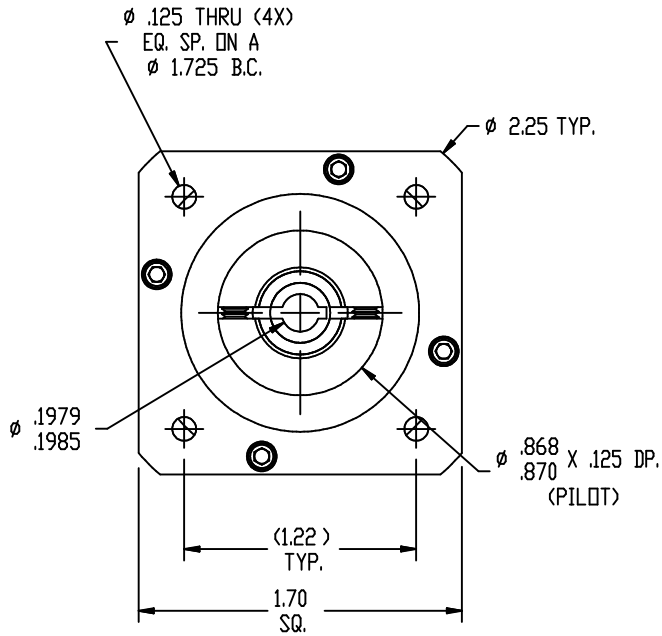


REVISIONS			
REV	DESCRIPTION	DATE	APPROVED
A	INITIAL RELEASE ECO 7249	11/3/15	J KORDIK

GEAR HEAD LENGTH	
PART NUMBER	'L'
17VL-1STAGE	2.41
17VL-2STAGE	2.96



GEAR RATIOS OFFERED		
GEAR HEAD:	RATIO:	DASH NO.
17VL-1STAGE	4:1	-004
	5:1	-005
	7:1	-007
	10:1	-010
17VL-2STAGE	15:1	-015
	20:1	-020
	25:1	-025
	28:1	-028
	40:1	-040
	50:1	-050
	70:1	-070
	100:1	-100

TOLERANCES	THIRD ANGLE PROJECTION	
DECIMALS: INCH (MM)		
X.XXX = ±.005 (0.013)		
X.XX = ±.01 (0.25)	APPROVALS	
X.X = ±0.1 (2.5)	DATE	
ANGLES:	DRAWN R JONEZ 11/3/15	
MACH. = ±.5°	CHECKED	
CHAM. = ±5°	APPROVED	
COMPUTER DATA BASE DRAWING		

OUTLINE, GEAR HEAD, VL17, SINGLE AND DOUBLE STAGE		
B	DWG NO. 17VL-XXX	REV A
SCALE: FULL		SHEET 1 OF 1