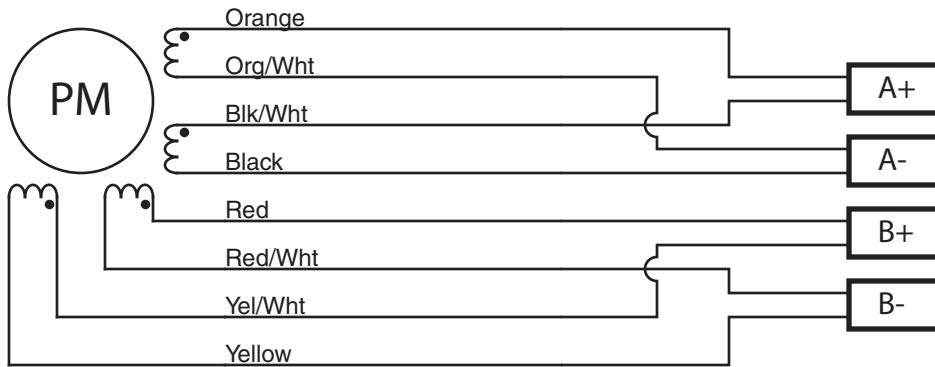
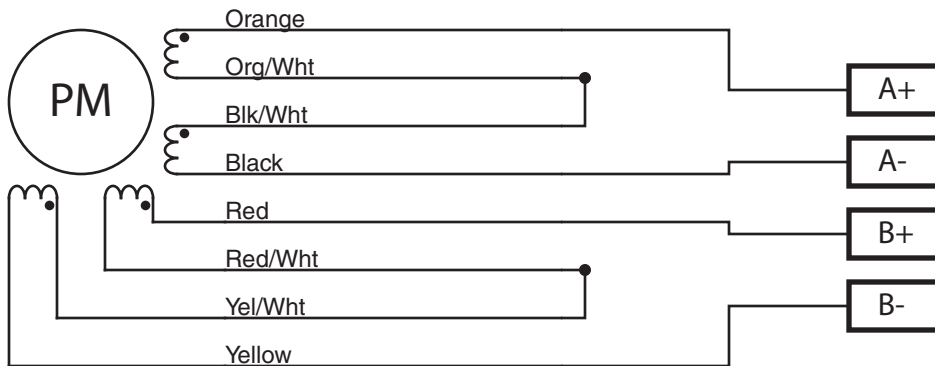


Step Motor Wiring Diagram

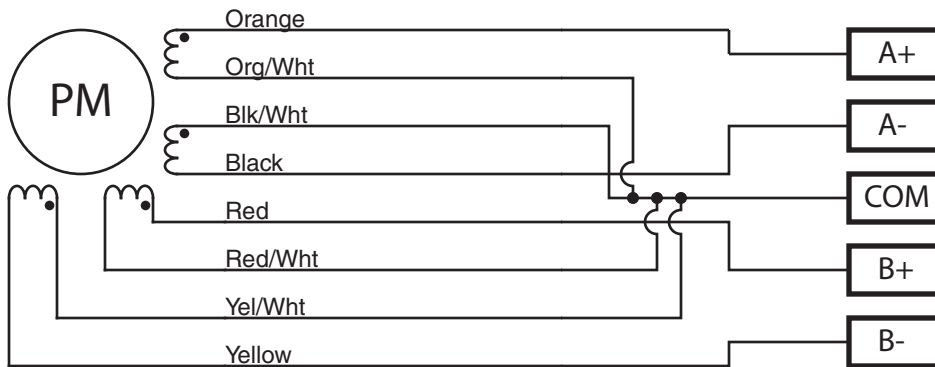
- 8 lead motor with striped lead colors
- Note: As with all two phase step motors, you can change the nominal direction of rotation of the motor by changing the polarity in one phase, e.g. swapping the connections made to B+ and B-.



BIPOLAR PARALLEL CONNECTION



BIPOLAR SERIES CONNECTION



UNIPOLAR CONNECTION