



RDC-5K-FSR

Rackdrawer Keyboard with Force Sensing Resistor

The RDC-5K-FSR by iKey® integrates a Force Sensing Resistor pointing device and a full numeric keypad for dual functionality. Standard size units have 14-inch rails (15-inch-deep drawer) and come with chrome handle or pull slot options. Larger size units have 16-inch rails (17-inch drawer) and come with T-handle or locking T-handle options. The drawers have a CRS steel construction, which is coated with black epoxy paint and chrome-plated, ball-bearing slides.

Features:

- 10-Key Numeric Pad
- 20 Function Keys
- Integrated Force Sensing Resistor Pointing Device
- Slide Load Rating: 130 Lbs/Pair
- USB and PS/2 configurations available

Product Code RDC-5K-FSR

CERTIFICATIONS	NEMA 12, CE UL60950, FCC Part 15 Class B
SHOCK	3x11 ms pulses of 50g on each of 3 axes
CABLE	LENGTH: 10 feet (3 meters) DESIGN: "Y" PS/2 (providing separate keyboard and mouse connections), or Single-Cable USB
KEY SWITCH	MATERIAL: Industrial silicone rubber LIFE: 10 million cycles TRAVEL: 0.055 in. ACTUATION FORCE: 7.03 oz +/-1.06 oz (200g +/- 20g) FEEDBACK: Tactile with mechanical snap
VIBRATION	POWER SPECTRAL DENSITY: 0.04g/Hz FREQUENCY RANGE: 20Hz - 2 kHz DURATION OF TEST PER AXIS: 3 hours
POWER	PS/2: KEYBOARD: 50mA@5V (from Keyboard port) POINTER: 35mA@5V (from Mouseport) USB: 85mA@5V (from CPU port)
COMPATIBILITY	PS/2 KEYBOARD/POINTER: All Windows Operating Systems USB KEYBOARD/POINTER: All Windows and Macintosh OS
TEMPERATURE RANGE	STORAGE: -40C to +70C (-40F to 158F) OPERATING: -4C to +60C (-20F to +60F)
WEIGHT	12.80 lbs +/- 0.10 lbs (5.8 kg +/-0.05 kg)
WARRANTY	1 year limited warranty
HUMIDITY	100%
DIMENSIONS	Pull Slot/Chrome handle: 19" x 15" x 1U (1.75") 482.6mm x 381mm x 44.5mm T-Handle: 19" x 17" x 1U (1.75") 482.6mm x 431.8mm x 44.5mm
MODEL NUMBERS	RDC-5K-PS2: With PS/2 cable RDC-5K-USB: With USB cable RDC-5K-16-T-xxx: 16" Rails T-Handle RDC-5K-16-TK-xxx: 16" Rails T-Handle with Key

RDC-5K-FSR

DATE	CHANGES	INTL	REV
04.30.15	Original	SCC	1.0
06.16.16	Added frame thickness dimension	ALH	1.1
10.25.17	Added rear view, updated drawing number	ALH	1.2

2 Piece, 12"
Steel Ball Bearing
Drawer Slides

RDC-5K-FSR Keyboard

Keyboard and Pointer Interface Cable
Cabling options:

- 1) Keyboard: PS/2 (6-pin mini-din)
Pointer: PS/2 (6-pin mini-din)
- 2) Keyboard & Pointer: single USB

Mounting Slots
0.40" x 0.28"
(4 Places)

HANDLE
OR
HOLE

PROPRIETARY AND CONFIDENTIAL

SCALE: 1:4



Part Number: RDC-5K-FSR

Drawing Number: MKT0418

Sheet: 1 OF 2

Drawing Title: RDC-5K-FSR-MKT

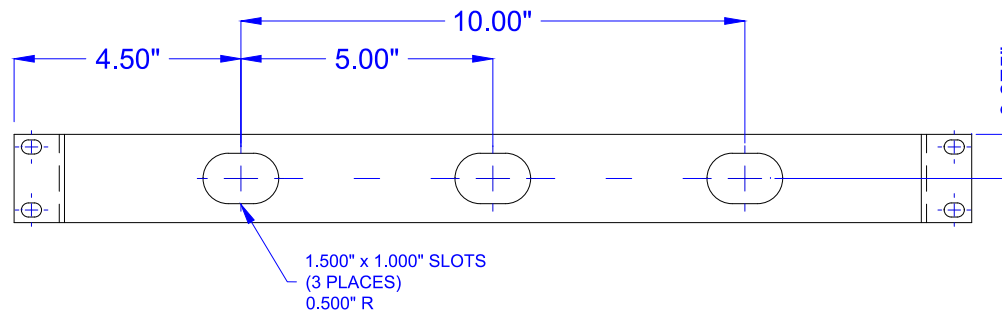
Revision: 1.2

Date: 10.25.17

ALH

RDC-5K-FSR

VIEW FROM THE REAR



KEY SWITCH

MATERIAL: Industrial Silicone Rubber
 LIFE: Greater Than 10 Million Cycles
 TRAVEL: 0.055 in.
 ACTUATION FORCE: 7.05 oz. +/- 1.06oz (200g +/- 30g)
 FEEDBACK: Tactile with Mechanical Snap

TEMPERATURE RANGE

STORAGE: -40°F to +158°F (-40°C to +70°C)
 OPERATING: -4°F to +140°F (-20°C to +60°C)

VIBRATION

POWER SPECTRAL DENSITY: .04g/HZ
 FREQUENCY RANGE: 20Hz-2Khz
 DURATION OF TEST PER AXIS: 3 hours

POWER (Maximum)

PS2: KEYBOARD: 35mA@5V (from Keyboard port)
 POINTER: 5mA@5V (from Mouse port)
*PS2 current ratings valid only when both keyboard and mouse are connected
 USB: 40mA@5V (from USB port)

HUMIDITY

100% Humidity Resistant

SHOCK

3 X 11 ms pulses of 50g on each of 3 axis

WEIGHT

12.50 lbs +/- 0.10 lbs (5.67 kg +/- 0.05 kg)

PROPRIETARY AND CONFIDENTIAL

SCALE: 1:4



Part Number: RDC-5K-FSR

Drawing Number: MKT0418

Sheet: 2 OF 2

Drawing Title: RDC-5K-FSR-MKT

Revision: 1.2

Date: 10.25.17

ALH