

# ABOX-L3506

## Q670 Chipset AI Edge Computing Server

Intel LGA1700 12<sup>th</sup> ~13<sup>th</sup> Gen. Core i7/i5/i3, Pentium, Celeron Desktop processors

### Specification

V3.0

#### Key features:

- Support Intel® 12<sup>th</sup> ~13<sup>th</sup> Gen. Core™ i7/i5/i3, Pentium, Celeron Desktop multicore processors;
- Intel Q670 industrial chipset, TDP=6W;
- 4\* U-DIMM slots, DDR4 3200 Mhz, Max. up to 128GB;
- 4\* SATA3.0 and 1\* M.2 (NGFF) Key-M (PCIe 3.0 x4 NVMe/SATA) storage slots;
- 2\* GLAN, 10\* USB1\* HDMI2.0, 1\*DP1.4;
- 1\* Mini-PCIe slot, 1\* M.2 B-key slot, optional 3G/4G, Wi-Fi/BT wireless expansion;
- Optional PCIe or PCI expansion slots;
- AC power supply.

#### Product Image

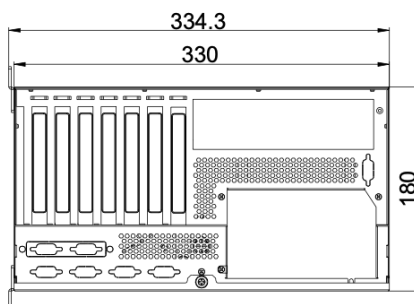
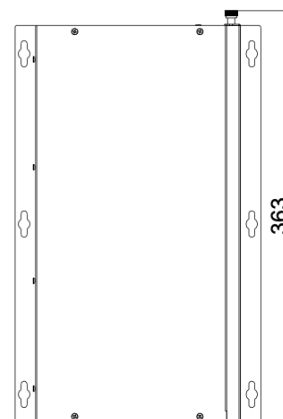
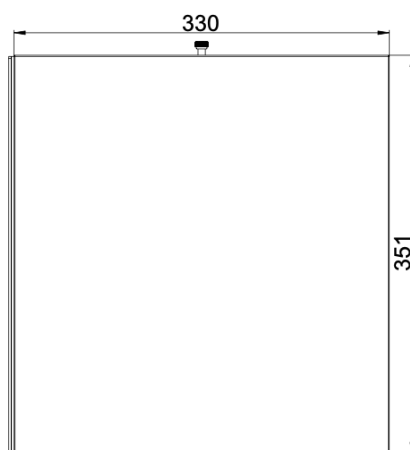
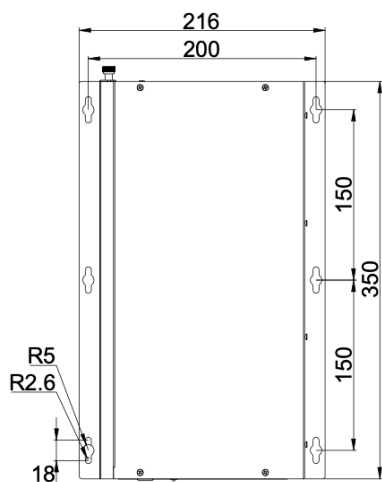
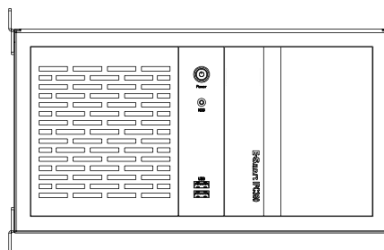


## Technical Data

System	
CPU	Intel® 12 <sup>th</sup> ~ 13 <sup>th</sup> Gen. Core™ i3/i5/i7, Pentium, Celeron Desktop LGA1700 CPUs, Max. TDP=125W
Chipset	Intel® Q670 Chipset
Memory	4 x DDR4 U-DIMM slots, 3200 MHz, Max. up to 128GB
Storage	4 x 2.5" SATA3.0 (support RST RAID 0,1,5), 1x M.2 (NGFF) Key-M (PCIe x4 Gen4 + NVMe/SATA SSD (Auto detect))
Display	1 x HDMI2.0 (Max. support resolution: 3840x2160, @ 30Hz) 1 x DP1.4 (Max. support resolution: 3840x 2160, @60Hz)
Network	1 x I219-LM/V, 1x I225-V/LM, 10/100/1000 Mbps, RJ45
Wireless	1 x Mini-PCIE (Optional support 3G/4G/LTE, Wi-Fi/BT expansion, with SIM card holder) 1x M.2 B-key 3042/3052 (usb3.2 Gen 1x1, with 1 SIM Card holder)
Audio	3* 3.5mm jack (Line-in/Line-out/MIC)
USB	4 x USB 3.2 Gen 2x1, 4x USB3.2 Gen 1x1, 2x USB2.0
COM	2x RS232/485/422 (COM1/2, DB9, Full lanes, BIOS configurable)
GPIO	Optional 16 bits DIO (8*DI, 8*DO, wafer)
Expansion	2x PCIe x16 slot (Gen 5, x16 /NA signal or Gen 4, x8 /x8 signal) 1x PCIe x8 slot (Gen 4, x4 signal) 2x PCIe x4 slot (Gen 3, x4 signal) 1x PCIe x4 slot (Gen 3, x4 signal) 1x PCI slot
Power	AC power supply, voltage and frequency shall be based on the ATX power supply provided
Switch	1 x Power button
LED indicator	Power LED, storage LED indicator
Watchdog	Programmable 255 seconds
OS	Windows 10/11,64bits, Linux
Structure	
Material	SGCC
Treatment	Hard anodizing treatment
Color	Silver white
Cooling	PWM intelligent fan
Weight	7.0kg (Net weight)
Dimension	330mm (L) x 350mm (W) x 180mm (H)
Mounting	Desktop, Wall mount
Environmental	
Operation temp.	Operating temp.: 0~60°C
Storage temp.	Storage temp.: -20~70°C
Humidity	10%~90%@40°C (non-condensation)
Vibration	SSD : 3Grms@5~500Hz , random , 1 hr/axis ;
Shock	10G/peak (11ms sec)

## Dimension & Interface

### ABOX-L3506 Dimension



## Ordering Information

ABOX-L3506-xxxx	Intel LGA1700 xxxx Desktop CPUs, Intel Q670 Chipset, 1*HDMI, 1*DP, 2*RJ45, 8*USB3.0, 2*USB2.0, 2* COM, Line-in/Lie-out/Mic, AC Power
Memory	DDR4 4G/8G/16G/32GB/64GB/128GB
Storage	SSD: 32GB/64GB/128GB/256GB/512GB/1TB HDD: 500GB/1TB

**Note:** xxxx refer to 12<sup>th</sup> ~13<sup>th</sup> Desktop CPUs Code



The information in this specification is subject to change without notice.

All parts of Mainkco IPC documentation are protected by copyright law and all rights are reserved. This documentation may not, in whole or in part, be copied, photocopied, reproduced, translated, or reduced to any electronic medium or machine-readable form without prior consent, in writing, from TAICENN Technology.