

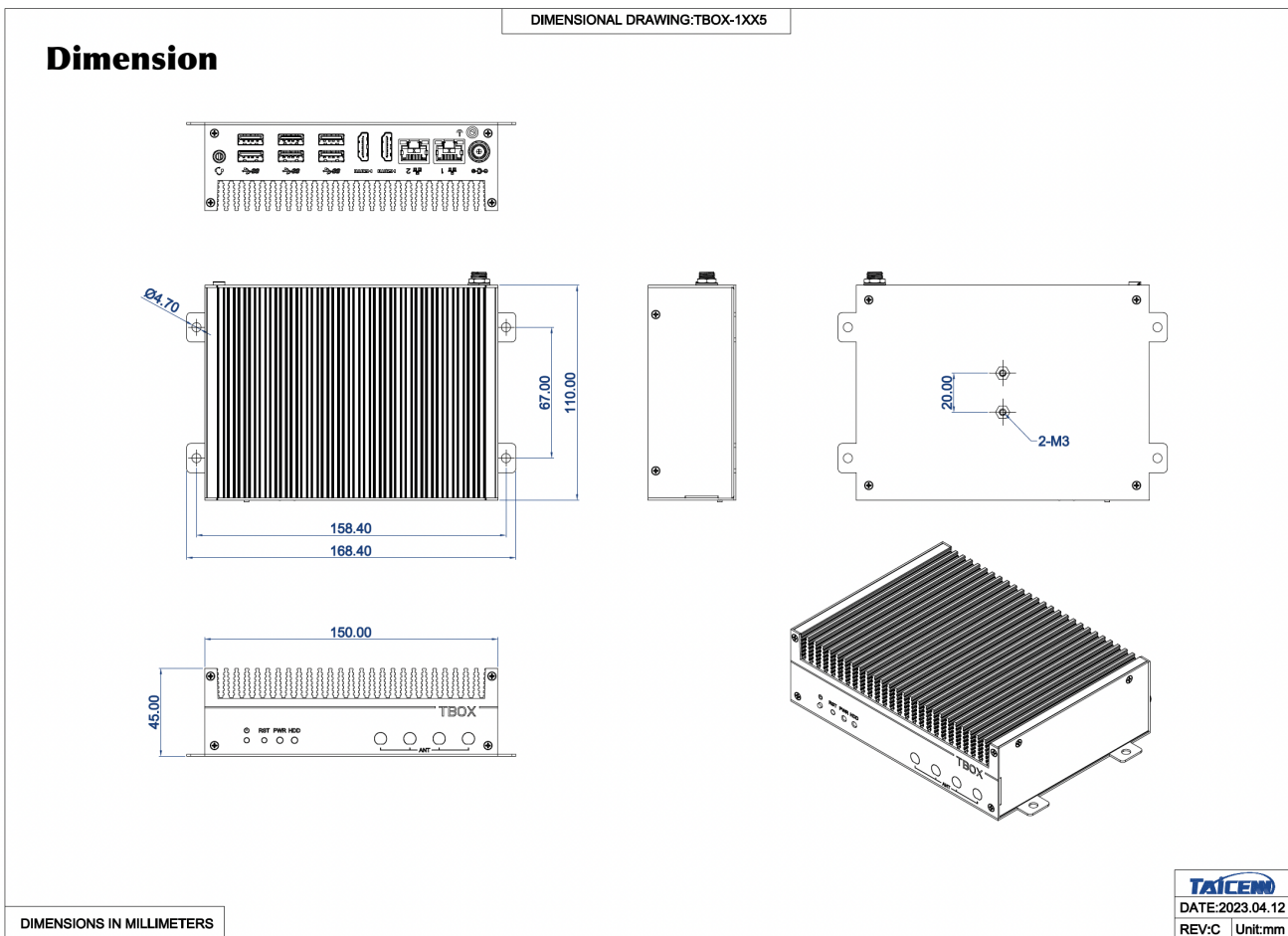


Features:

- Rugged, Ultra-small, fanless designed box structure;
- Intel Tiger Lake UP3 Core i5-1135G7 Quad-core processor;
- DC 12V power input, with DC jack;
- Industrial -20 ~ + 60°C operating range;
- 2 GLAN, optional with 3G/4G/5G, and Wi-Fi/BT expansion;
- 6 USB3.0, 2 HDMI, Audio;
- 1 M.2 2230 E-key slot, 1 M.2 3042/3052 B-key slot.

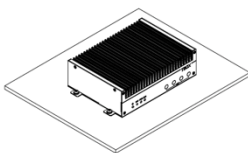
Specification

System	BIOS	SPI AMI EEI BIOS
	CPU	Intel Core i5-1135G7, Quad-core processor, up to 4.2Ghz
	TDP	15W (Fixed configuration)
	TPM	Intel PTT TPM2.0
	Memory	SO-DIMM, DDR4-2666/2933/3200Mt/s, Single slot, max. up to 32GB
	Storage	1* M.2 (NGFF) 2280 M-Key slot (PCIe x4, NVMe) SSD
	Graphic	Intel UHD Graphics (Up to 48 EUs, 1.25Ghz)
	Network	1* Intel I219, 1* Intel I225, optional Wi-Fi/BT (M.2 E-key 2230), 4G/5G (M.2 Key-B 3042/3052)
	Audio	On-board Realtek ACL897 Audio controller
	Expansion	1* M.2 2230 E-key slot. 1* M.2 3042/3052 key-B slot
	Watchdog	0 ~ 256 seconds programmable
	Operating system	Win10, Win11, Linux
	IO interface	Serial port
Ethernet		2* RJ45, 10/100/1000 Mbps
Audio		1* Mic-in/Line-out (2 in 1 Jack)
USB		6* USB3.0
Display		2* HDMI
Power input		DC Jack, lockable 5.5 * 2.5
GPIO		N/A
Structure	Box structure and surface	Aluminum alloy, anodizing and anti-scratch treatment
	Color	Black
	Mount method	Desktop, wall mount, optional with Din-rail mount
	Cooling system	Finned aluminum heatsinks
	Indicator & Button	Power switch, Power LED, HDD LED
	Dimension	168.40 * 110.00 * 45.00 (mm)
	Net weight	About 0.85 KG
Power & Environmental	Operating temp.	-20 ~ + 60 (°C)
	Storage temp.	-40 ~ + 70 (°C)
	Humidity	10 ~ 95% @ 10C (No condensation)
	Vibration	50 ~ 500 Hz, 1.5G, 0.15mm peak to peak
	Shock	10G/Peak (11 ms)
	Power input	DC 12V
	Power consumption	About 25W
	EMC	CE/FCC Class A

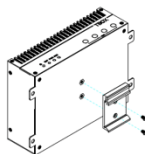


Installation Scenario

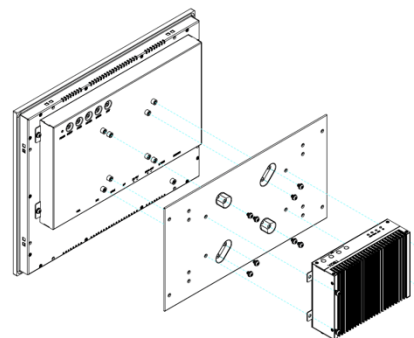
Stand/Wall Mount



DIN-Rail Mount (Optional)



VESA Mount (Optional)



Ordering information

Part no.	Description
TBOX-1T25	Intel Core i5-1135G7, 2 RJ45, 6 USB3.0, 2 HDMI, Audio, DC 12V (DC Jack), PSU
TBOX-1T15	Intel Core i3-1115G4, 2 RJ45, 6 USB3.0, 2 HDMI, Audio, DC 12V (DC Jack), PSU
TBOX-1T35	Intel Core i7-1165G7, 2 RJ45, 6 USB3.0, 2 HDMI, Audio, DC 12V (DC Jack), PSU
Memory	Memory: SO-DIMM, DDR4,4GB/8GB/16GB/32GB
Storage	M.2 NVMe SSD: 128GB/256GB/512GB
Wireless Modules	Wi-Fi module, with Antenna (Mini-PCIe)
	Wi-Fi module with BT integrated, with antenna (Mini-PCIe)
	All network 4G module, with Antenna (Mini-PCIe)
	5G Module, with Antenna (M.2 B-key 3042/3052)
TDRK-BOX1-35	Din 35 mount clip (1 set per unit)