



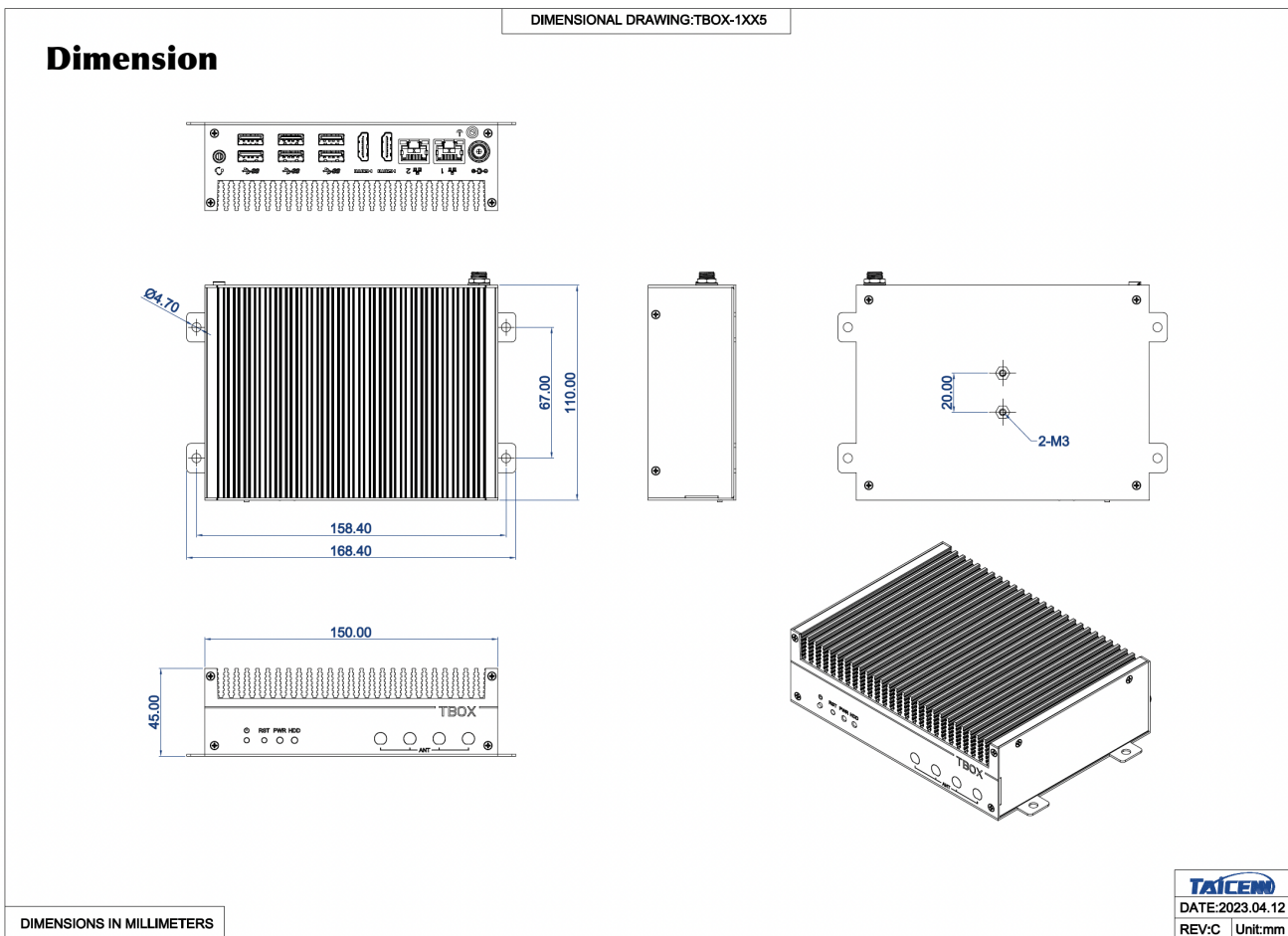
Features:

- Rugged, Ultra-small, fanless designed box structure;
- Intel Tiger Lake UP3 Core i7-1165G7 Dual-core processor;
- DC 12V power input, with DC jack;
- Industrial -20 ~ + 60°C operating range;
- 2 GLAN, optional with 3G/4G/5G, and Wi-Fi/BT expansion;
- 6 USB3.0, 2 HDMI, Audio;
- 1 M.2 2230 E-key slot, 1 M.2 3052 B-key slot.

Specification

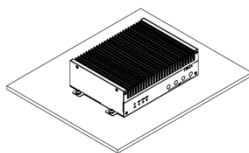
| | | |
|----------------------------------|---------------------------|---|
| System | BIOS | SPI AMI EEI BIOS |
| | CPU | Intel Core i7-1165G4, Dual-core processor, up to 4.1Ghz |
| | TDP | 15W (Fixed configuration) |
| | TPM | Intel PTT TPM2.0 |
| | Memory | SO-DIMM, DDR4-2666/2933/3200Mt/s, Single slot, max. up to 32GB |
| | Storage | 1* M.2 2280 M-Key slot (PCIe Gen.IV x4, NVMe) SSD |
| | Graphic | Intel UHD Graphics (Up to 48 EUs, 1.25Ghz) |
| | Network | 1* Intel I219, 1* Intel I225, optional Wi-Fi/BT (M.2 E-key 2230), 4G/5G (M.2 Key-B 3042/3052) |
| | Audio | On-board Realtek ACL897 Audio controller |
| | Expansion | 1* M.2 2230 E-key slot. 1* M.2 3052 key-B slot |
| | Watchdog | 0 ~ 256 seconds programmable |
| | Operating system | Win10, Win11, Linux |
| | IO interface | Serial port |
| Ethernet | | 2* RJ45, 10/100/1000 Mbps |
| Audio | | 1* Mic-in/Line-out (2 in 1 Jack) |
| USB | | 6* USB3.0 |
| Display | | 2* HDMI |
| Power input | | DC Jack, lockable 5.5 * 2.5 |
| GPIO | | N/A |
| Structure | Box structure and surface | Aluminum alloy, anodizing and anti-scratch treatment |
| | Color | Black |
| | Mount method | Desktop, wall mount, optional with Din-rail mount |
| | Cooling system | Finned aluminum heatsinks |
| | Indicator & Button | Power switch, Power LED, HDD LED |
| | Dimension | 168.40 * 110.00 * 45.00 (mm) |
| | Net weight | About 0.85 KG |
| Power & Environmental | Operating temp. | -20 ~ + 60 (°C) |
| | Storage temp. | -40 ~ + 70 (°C) |
| | Humidity | 10 ~ 95% @ 10C (No condensation) |
| | Vibration | 50 ~ 500 Hz, 1.5G, 0.15mm peak to peak |
| | Shock | 10G/Peak (11 ms) |
| | Power input | DC 12V |
| | Power consumption | About 25W |
| | EMC | CE/FCC Class A |

Last update: 12~April 2023

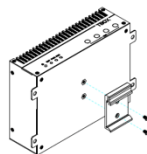


Installation Scenario

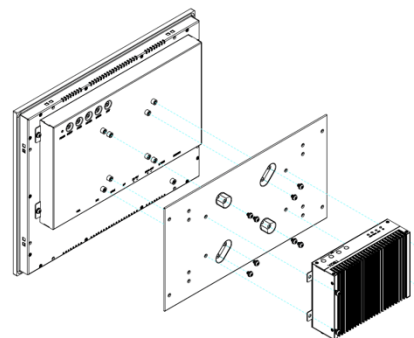
Stand/Wall Mount



DIN-Rail Mount (Optional)



VESA Mount (Optional)



Ordering information

| Part no. | Description |
|------------------|--|
| TBOX-1T35 | Intel Core i7-1165G7, 2 RJ45, 6 USB3.0, 2 HDMI, Audio, DC 12V (DC Jack), PSU |
| TBOX-1T15 | Intel Core i3-1115G4, 2 RJ45, 6 USB3.0, 2 HDMI, Audio, DC 12V (DC Jack), PSU |
| TBOX-1T25 | Intel Core i5-1135G7, 2 RJ45, 6 USB3.0, 2 HDMI, Audio, DC 12V (DC Jack), PSU |
| Memory | Memory: SO-DIMM, DDR4,4GB/8GB/16GB/32GB |
| Storage | M.2 NVMe SSD: 128GB/256GB/512GB |
| Wireless Modules | Wi-Fi module, with Antenna (Mini-PCIe) |
| | Wi-Fi module with BT integrated, with antenna (Mini-PCIe) |
| | All network 4G module, with Antenna (Mini-PCIe) |
| | 5G Module, with Antenna (M.2 B-key 3052) |
| TDRK-BOX1-35 | Din 35 mount clip (1 set per unit) |

The information in this specification is subject to change without notice.