



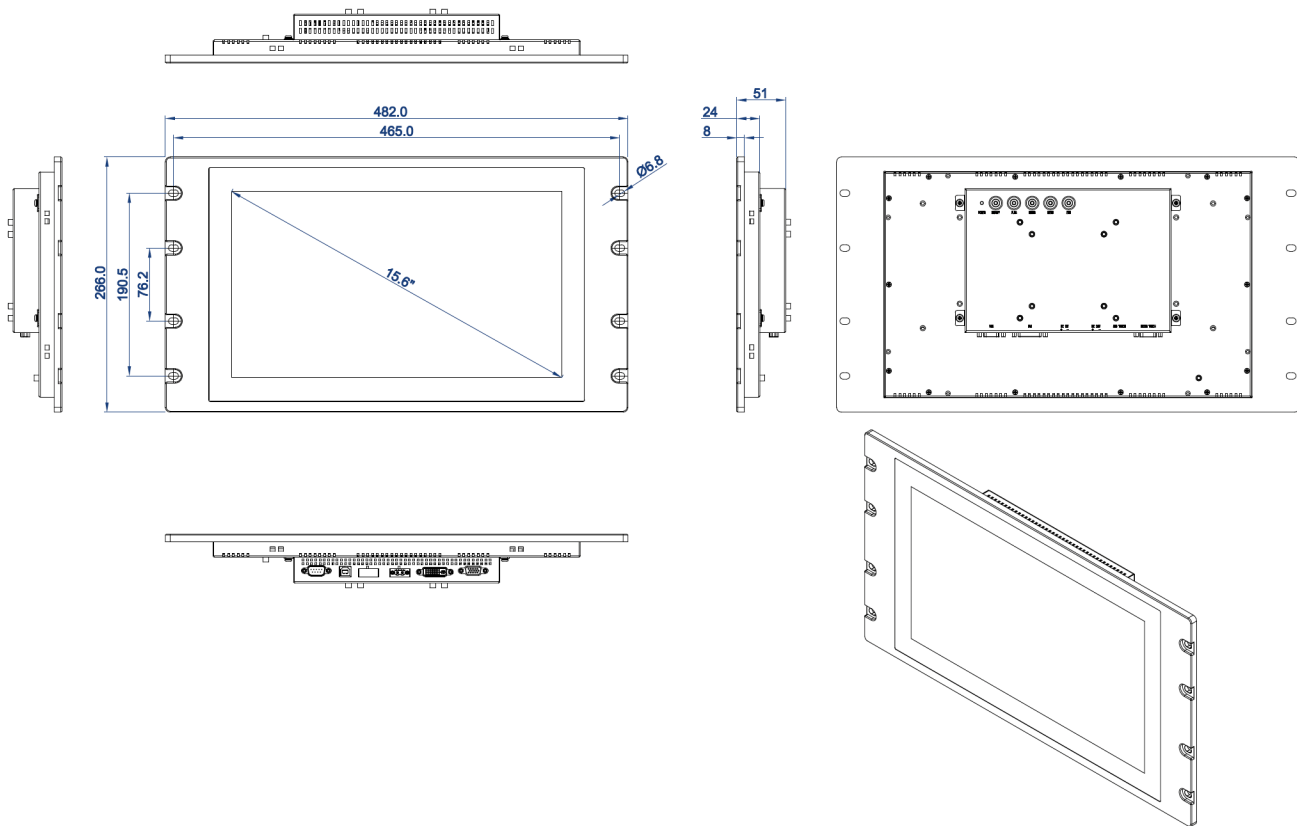
Features:

- 15.6" TFT LCD, LED Backlit, WXGA 1366*768;
- Aluminum-magnesium alloy, Anodized treatment, modular designed;
- Multi-points (Max. up to 10 points) projective capacitive touchscreen, EETI controller;
- Default USB touch interface, optional with RS232 touch interface;
- DC 12V power input, optional with wide voltage DC 9~36V;
- Standard 19.0-inch Rack mount, 6U height, Support VESA 75/100 mount;
- Multiple DVI + VGA signal input, support synchronous and asynchronous display;
- IO: 1 VGA, 1 DVI, 1 USB, 1 DC.

Specification

Basic	Front panel	Magnesium-Aluminum alloy, anodized treatment
	Real panel	SGCC plate sheet, sand-blasting
	Control button	OSD button on rear panel
	Signal input	1*VGA, 1* DVI
	Mount method	Standard 19.0-inch Rack mount, support VESA 75/100 mount
	Overall dimension	482.0 * 266.0* 51 (mm)
	Rack mount Height	6U height
	Net weight	3.9 KG
	IP rate	Front surface IP65
LCD Display	Size/Type	15.6" TFT LCD Display
	Resolution	1366 * 768 (WXGA)
	Brightness	400 nits
	Backlit & Lifetime	LED backlit & 50 000 hours
	Display area	344.23 * 193.54
	View angle	80/80/80/80
Touchscreen	Type	Projective capacitive touchscreen
	Touch points	Multi points touch, max. up to 10 points
	Durability	>100 000 000times
	Surface hardness	Mohs 6H
	Special treatment	Anti-fingerprint (AF)
	Touch controller	EETI
Power & Environmental	Operating temp.	-10 ~ + 60 (°C)
	Storage temp.	-20 ~ + 70 (°C)
	Relative Humidity	10 ~ 95% @ 10C (No condensation)
	Vibration	50 ~ 500 Hz, 1.5G, 0.15mm peak to peak
	Shock	10G/Peak (11 ms)
	Power input	DC 12V (Optional wide voltage DC 9~36V)
	Power consumption	About 20W
	EMC	CE/FCC Class A

DIMENSIONAL DRAWING:TM-RC156

Dimension


DIMENSIONS IN MILLIMETERS

 DATE:2019.10.21
 REV:A Unit:mm

Ordering info.

Part no.	Description
TM-RC156	15.6" LCD, WXGA 1366*768, Pcap. touch, USB interface, 1*VGA, 1*DVI, DC 12v
TM-RG156	15.6" LCD, WXGA 1366*768, No touch (Tempered glass) , 1*VGA, 1*DVI, DC 12v
TM-RC156S	15.6" LCD, WXGA 1366*768, Pcap. touch, RS232 Touch interface , 1*VGA, 1*DVI, DC 12v
TM-RC156W	15.6" LCD, WXGA 1366*768, Pcap. touch, USB interface, 1*VGA, 1*DVI, DC 9~36v (default no PSU)
TM-RC156L	15.6" LCD, WXGA 1366*768, Pcap. touch, High brightness option , 1*VGA, 1*DVI, DC 12v
TAC-DVI2HDMI	HDMI to DVI convert cable, 1.8m length
TAC-DVI1	DVI cable, 1.8m length
TAC-COM1	COM cable, around 1.8m length (For TM-RC156S)
TPS-T40W12D1	40W power supply (For TM-RC156W)

Packing List (TM-RC156)

1x Standard Product
1x 40W PSU (Power supply)
1x USB cable (For touch), 1.8m length
1x VGA cable, 1.8m length
1x Power cable & Plug
8x Panel mount metal clips