



Features:

- Modular & Fanless designed, aluminum-magnesium alloy;
- Intel 11th Gen. Tiger Lake UP3, Celeron, Core i3/i5/i7 CPUs;
- Wide 21.5" TFT LCD Display, LED Backlit, FHD 1920*1080;
- Multi up to 10 points Pcap. touchscreen, EETI controller;
- DC 12V Power input, optional wide DC 9~36V input;
- I/O interfaces: 2 GbE, 6 USB3.0, 2 COM, 2 HDMI, Audio;
- Intel PTT TPM2.0, Support Windows 11 OS;
- Panel mount, VESA 75/100 mount, Front IP65 rated protection;
- Optional 2 M.2 Expansion slots.

Specification



Hardware & System	BIOS	SPI AMI EEI BIOS
	CPU	Intel 11 th Gen. Tiger Lake UP3 Celeron 6305E, Core i3-1115G4, Core i5-1155G7, Core i7-1195G7
	TDP	Default 15W (BIOS Configured)
	Graphic	Intel UHD/Iris Xe Graphics
	Memory	SO-DIMM, Support DDR4 2666/2933/3200 Mhz, Max. up to 32GB
	Storage	1* M.2 2280 M-Key (PCIe x4, Gen. IV NVMe) SSD, 1* 2.5" SATA SSD
	Network	1* Intel i219V, 1* Intel i226V, Optional wireless 3G/4G/LTE, Wi-Fi/BT, 5G/Wi-Fi 6
	Audio	On-board Realtek ACL 897 Audio controller
	Expansion	1* M.2 (NGFF) B-Key 3052 slot; 1* M.2 (NGFF) E-Key 2230 slot
	Watch dog	0 ~ 256 seconds programmable
	Operating System	Win10, Win11, Linux, Ubuntu
I/O Interface	Ethernet	2 RJ45, 10/100/1000 Mbps
	COM	2* RS232 by default (Optional 1* RS485 or 8* GPIO)
	Audio	Mic-In/Line-out (2 in 1, 4.0mm Jack)
	USB	6* USB3.0
	Display	2* HDMI
	Power	1* 2 Pins, Phenix Terminal
LCD Display	Size/Type	Widescreen 21.5" TFT LCD Display
	Resolution	1920 * 1080 (FHD)
	Brightness	250 nits
	Backlit & Lifetime	LED Backlit & 30K hours
	Display Area	476.64* 268.11 (mm)
	View Angle	89/89/89/89
Touchscreen	Type	Projective capacitive touchscreen
	Touch points	Multi points touch, max. up to 10 points
	Durability	>100 000 000 times
	Surface Hardness	MOHS 6H
	Touch Controller	EETI
	Special Treatment	Anti-Fingerprint (AF)
Structure	Structure & Surface	Magnesium-Aluminum alloy, sand blasting, anodized treated
	Cooling System	Large area finned heatsink (Fanless designed)
	Overall Dimension	527.0 * 318.7 * 57.5 (mm)
	Cut-out Dimension	516 * 308 (mm)
	Net Weight	7.0KG
	Mount Method	Panel mount, VESA 75/100 Mount
	Operating temp.	0 ~ + 50 (°C)

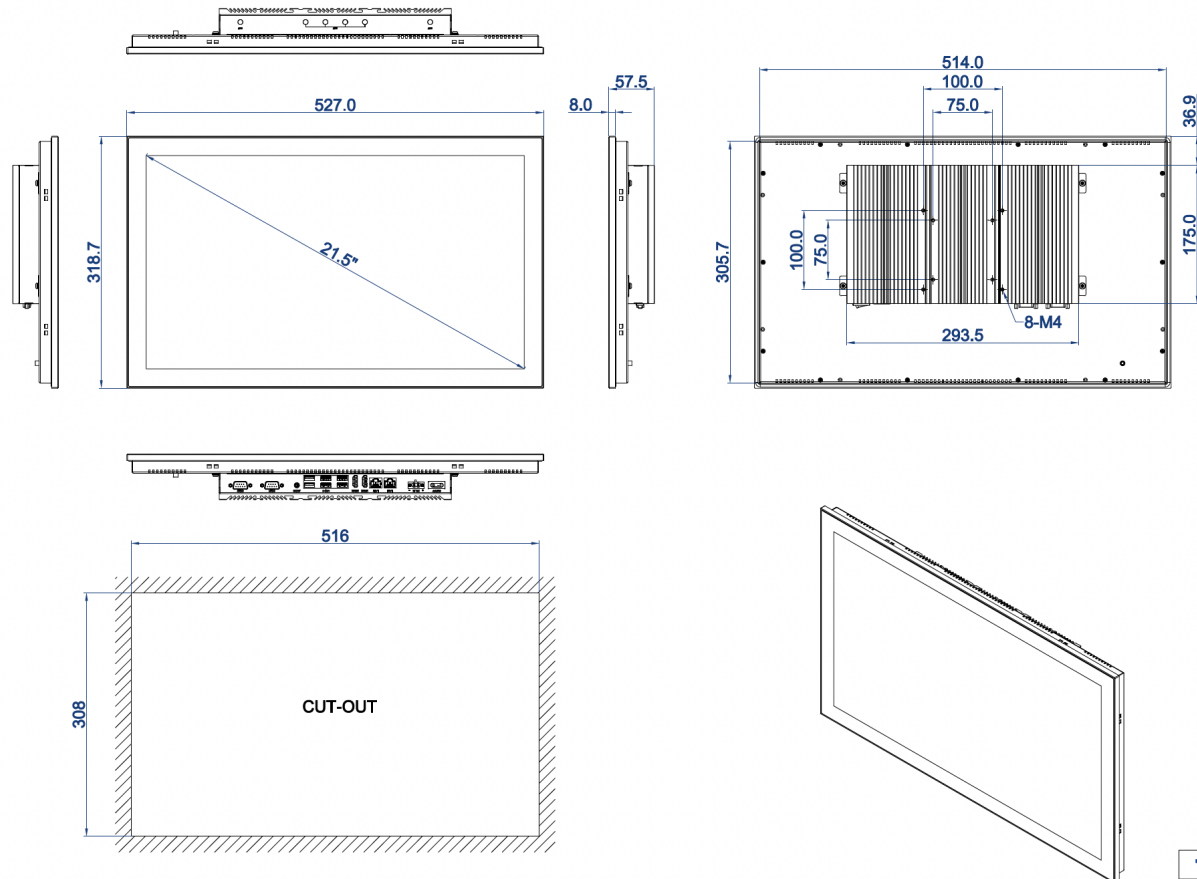
TPC-DCS215T

Power & Environmental

Storage temp.	-20 ~ + 60 (°C)
Humidity	10 ~ 95% @ 10C (No condensation)
Vibration	50 ~ 500 Hz, 1.5G, 0.15mm peak to peak
Shock	10G/Peak (11 ms)
Power input	DC 12V (Optional wide voltage DC 9~36V: TPC-DCS215TxW)
Power consumption	About 45W
Certificate	CE/FCC/ROHS

Dimension (mm)

DIMENSIONAL DRAWING:TPC-DCS215E/T



DIMENSIONS IN MILLIMETERS

TAICEM
DATE:2022.10.18
REV:A Unit:mm

Ordering information

Part no.	Description		
TPC-DCS215T0	21.5" LCD, FHD 1920*1080, Intel Celeron 6305E, Pcap. Touch, 2 GbE, 6 USB3.0, 2 HDMI, 2 COM, Audio, DC 12V, PSU		
TPC-DCS215T1	21.5" LCD, FHD 1920*1080, Intel Core i3-1115G4, Pcap. Touch, 2 GbE, 6 USB3.0, 2 HDMI, 2 COM, Audio, DC 12V, PSU		
TPC-DCS215T2	21.5" LCD, FHD 1920*1080, Intel Core i5-1155G7, Pcap. Touch, 2 GbE, 6 USB3.0, 2 HDMI, 2 COM, Audio, DC 12V, PSU		
TPC-DCS215T3	21.5" LCD, FHD 1920*1080, Intel Core i7-1195G7, Pcap. Touch, 2 GbE, 6 USB3.0, 2 HDMI, 2 COM, Audio, DC 12V, PSU		
Optional Accessories	Description	Packing List	
Memory	SO-DIMM, DDR4, <u>4GB/8GB/16GB/32GB</u>	Standard TPC-DCS215Tx Panel PC Product	1 set
Storage	M.2 SSD: <u>128GB/256GB/512GB/1TB/2TB</u>	PSU (Power Supply)	1 set
Wireless	Wi-Fi Module, with Antenna	Power Cable & Plug	1 set
	Wi-Fi Module with BT Integrated, With Antenna	Panel Mount Clips (Metal)	1 set (8 pieces)
	All Network 4G module, with Antenna		
	5G Network module, with Antenna		
Power Supply	PSU for wide DC 9~36V range model TPC-DCS215TxW (If needed)		

The information in this specification is subject to change without notice.