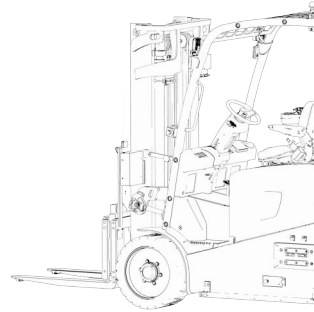


# E Series

## Counterbalanced Forklift

E30-B/E35-B/E40-B  
E30-L/E35-L





## Introduction

Counterbalanced Forklift AGV E series is applicable to automatic transfer and handling of goods on two-way or four-way entry pallets between different storage locations. With a load capacity of up to 4000 kg, a lifting height of up to 6600 mm, SE series features a fast driving speed, good climbing capability, and high load capacity. E series is widely used in various scenarios including goods stacking, equipment docking, horizontal handling, high-level storage and truck loading/unloading.

## Features



### Environment Adaptive

With laser navigation and positioning, there's no need to renovate the on-site environment.



### Highly Intelligent

A whole range of functions such as mapping, path planning, auto-charging, and intelligent operations for various scenarios.



### Non-stop pallet pose identification

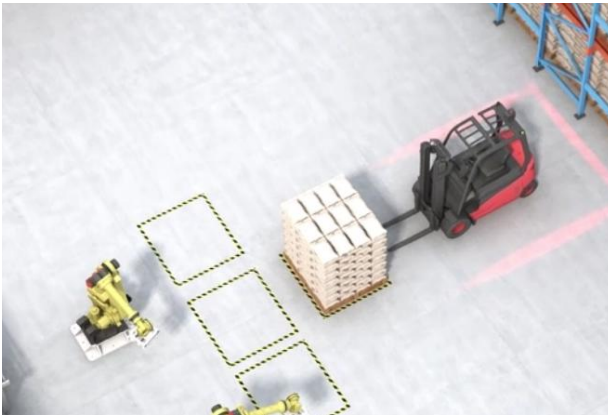
Visual perception non-stop pallet pose identification can realize fast and accurate pick-and-place of goods.



### Intelligent Safety

Comprehensive fault self-detection  
360° obstacle avoidance and sound & light warning.

## Scenarios



### Docking with Production Line

Efficient automatic transportation and turnover from the warehouse to the buffer area and production line zone.



### Automatic (un)loading

Compatible multiple models (wing door, flat door).  
Compatible with multiple sizes of cargo (automatic allocation).



### Horizontal Handling

Supports flexible transportation for various scenarios, including docking with storage locations and stacker warehouses transferring.



### Intelligent handling

Load range between 3T to 4T, and the lifting height can reach 6.6m, which supports flexible handling in multiple scenarios such as line side warehouses, temporary storage areas, and ground storage warehouses.

# E Series

E30/E35/E40  
Counterbalanced Forklift



## Specifications

Model	E30-B	E35-B	E40-B
Navigation	Laser/ Sky Navigation/ Mixed Navigation		
Communication	Wi-Fi/ 5G/ Optical Communication		
Driving Features	Forward, Reverse, and Turn		
Control Mode	Auto/Manual		
Rated Load Q (kg)	3000	3500	4000
Load Center C (mm)	500		
Weight (Including battery) (kg)	4670	4870	5370
Turning Radius Wa (mm)	2200		
Aisle Width (mm)	4400		
Maximum Lifting Height (mm)	6000		
Dimensions LxWxH (mm)	3810x1410x (1950~2820)		
Fork Dimensions lxexs (mm)	1070/125/45	1070x125x50	
Fork Rack Width b2 (mm)	1100		
Fork Outer Space b3 (mm)	280~1100		
Minimum Height of Fork From the Ground h6 (mm)	60±5		
Positioning precision/ Stop Angle (Center of bearing wheel) (mm)	±20		
Obstacle Clearing Capability	≤10		
Climbing Capacity	≤7° (13%)		
Cross-Groove Capability (mm)	≤30		
Max Driving Speed (No Load/Full Load) (m/s)	2/2.5		
Max Lifting Speed (No Load/Full Load) (mm/s)	260/350		
Max Descent Speed (No Load/Full Load) (mm/s)	280/350	300/450	240/350
Max Climb Capability (No Load/Full Load) (S2-5min) % (tanθ)	5/5		
Battery Voltage/Capacity (V/Ah)	80V/450AH		
Charging Mode	Auto/Manual		
Run time	6~8h		
Battery Life	Complete charge-discharge 2500 times ≥70%		

Note: In the real-time update of product parameters, the above parameters are for reference only and shall prevail.

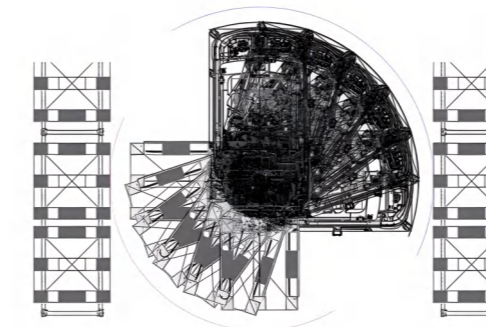
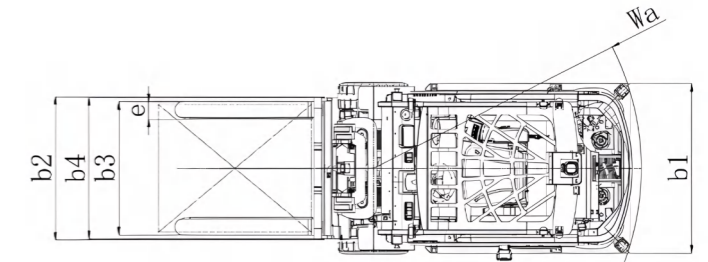
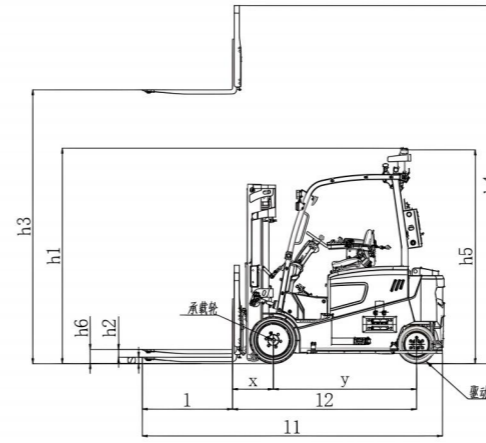
### Attachment



### Customize



### Carrier



Aisle Width			
Model	SE30-B	SE35-B	SE40-B
1000 ↑ x1000mm Pallet	AST (mm)	4450	
1000 ↑ x1200mm Pallet		4400	
1200 ↑ x1200mm Pallet		4200	

## Mast Specification

Duplex Mast															
Model	SE35-B														
Lifting height	h3 (mm)	2000	2500	2700	3000	3300	3500	3700	4000	4250	4500	4750	5000	5500	6000
Mast closure height	h1 (mm)	1620	1870	1970	2120	2270	2370	2470	2670	2795	2920	3045	3170	3470	3720
Mast height when lifting	h4 (mm)	3060	3560	3760	4060	4360	4560	4760	5060	5310	5560	5810	6060	6560	7060
Free lifting height	h2 (mm)	160													

## Load curve

LIFT HEIGHT (mm)	2330	2080	1870	1700	1540	1410	1290
6000	2330	2080	1870	1700	1540	1410	1290
5500	2530	2260	2040	1850	1680	1540	1410
5000	2760	2470	2230	2020	1840	1690	1550
4750	2890	2590	2330	2120	1930	1770	1630
4500	3040	2720	2460	2230	2040	1870	1720
4250	3200	2870	2590	2350	2150	1970	1810
4000	3370	3020	2730	2480	2270	2080	1920
3800	3530	3160	2860	2600	2380	2180	2010
3700	3620	3240	2930	2670	2440	2240	2070
3600	3700	3320	3000	2730	2500	2290	2120
3500	3800	3410	3080	2800	2570	2360	2180
3300	4000	3590	3240	2950	2710	2490	2300
	500	600	700	800	900	1000	1100

LIFT HEIGHT (mm)	2040	1820	1630	1480	1340	1220	1110
6000	2040	1820	1630	1480	1340	1220	1110
5500	2210	1970	1770	1610	1460	1330	1220
5000	2410	2150	1940	1760	1600	1460	1340
4750	2530	2260	2040	1850	1680	1540	1410
4500	2660	2380	2140	1940	1770	1620	1490
4250	2800	2500	2260	2050	1870	1710	1570
4000	2950	2640	2380	2160	1970	1810	1660
3800	3090	2770	2500	2270	2070	1900	1750
3700	3160	2830	2550	2320	2120	1940	1790
3600	3240	2900	2620	2380	2180	2000	1840
3500	3320	2970	2690	2440	2230	2050	1890
3300	3500	3140	2830	2580	2360	2160	2000
	500	600	700	800	900	1000	1100

LIFT HEIGHT (mm)	2330	2080	1870	1700	1540	1410	1290
6000	2330	2080	1870	1700	1540	1410	1290
5500	2530	2260	2040	1850	1680	1540	1410
5000	2760	2470	2230	2020	1840	1690	1550
4750	2890	2590	2330	2120	1930	1770	1630
4500	3040	2720	2460	2230	2040	1870	1720
4250	3200	2870	2590	2350	2150	1970	1810
4000	3370	3020	2730	2480	2270	2080	1920
3800	3530	3160	2860	2600	2380	2180	2010
3700	3620	3240	2930	2670	2440	2240	2070
3600	3700	3320	3000	2730	2500	2290	2120
3500	3800	3410	3080	2800	2570	2360	2180
3300	4000	3590	3240	2950	2710	2490	2300
	500	600	700	800	900	1000	1100

# E Series E30/E35 Counterbalanced Forklift



## Specifications

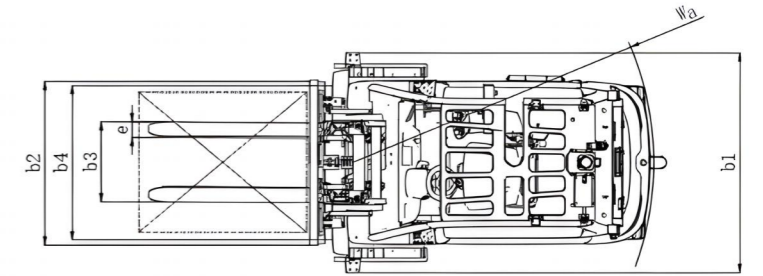
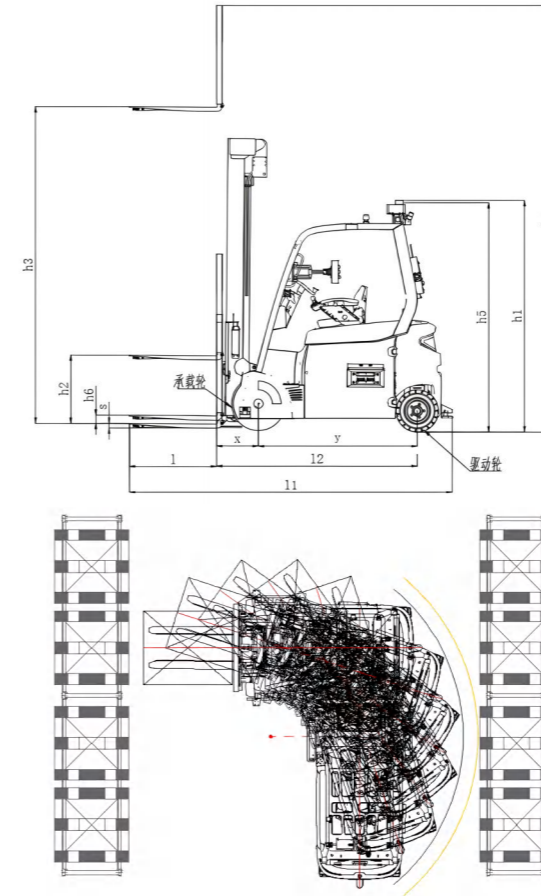
Model	E30-L	E35-L
Navigation	Laser/ Sky Navigation/ Mixed Navigation	
Communication	Wi-Fi/ 5G/ Optical Communication	
Driving Features	Forward, Reverse, and Turn	
Control Mode	Auto/Manual	
Rated Load Q (kg)	3000	3500
Load Center C (mm)	500	
Weight (Including battery) (kg)	4915	5700
Turning Radius Wa (mm)	2140	2410
Aisle Width (mm)	4250	4260
Maximum Lifting Height (mm)	6500	6600
Dimensions LxWxH (mm)	3580x1580x (1950~2300)	3585x1580x (1950~2820)
Fork Dimensions lxxs (mm)	1150/122/45	1150/150/50
Fork Rack Width b2 (mm)	1100	1100
Fork Outer Space b3 (mm)	320~1000	350~1000
Minimum Height of Fork From the Ground h6 (mm)	60±5	
Positioning precision/ Stop Angle (Center of bearing wheel) (mm)	±20	
Obstacle Clearing Capability	≤30	
Climbing Capacity	≤9° (16%)	
Cross-Groove Capability (mm)	≤30	
Max Driving Speed (No Load/Full Load) (m/s)	2/2.5	
Max Lifting Speed (No Load/Full Load) (m/s)	400/440	370/440
Max Descent Speed (No Load/Full Load) (m/s)	400/440	370/440
Max Climb Capability (No Load/Full Load) (S2-5min) % (tanθ)	≤3°	
Battery Voltage/Capacity (V/Ah)	80V/450AH	
Charging Mode	Auto/Manual	
Run time	6~8h	
Battery Life	Complete charge-discharge 2500 times ≥70%	

Basic Parameter

Movement Specifications

Battery Specifications

Note: In the real-time update of product parameters, the above parameters are for reference only and shall prevail.



Aisle Width		
Model	E30-L	E35-L
1000 ↑x1000mm Pallet	4750	
1000 ↑x1200mm Pallet	4750	
1200 ↑x1200mm Pallet	4650	

## Mast Specification

Duplex Mast											
Model		E30-L					E35-L				
Lifting height	h3 (mm)	4315	4705	5355	5955	6605	2850	3050	3650	4050	5550
Mast closure height	h1 (mm)	2052	2202	2452	2652	2902	2125	2225	2525	2725	3475
Mast height when lifting	h4 (mm)	5093	5483	6133	6733	7387	3628	3828	4428	4828	6328
Free lifting height	h2 (mm)	1274	1424	1674	1874	2124	150				

### Attachment



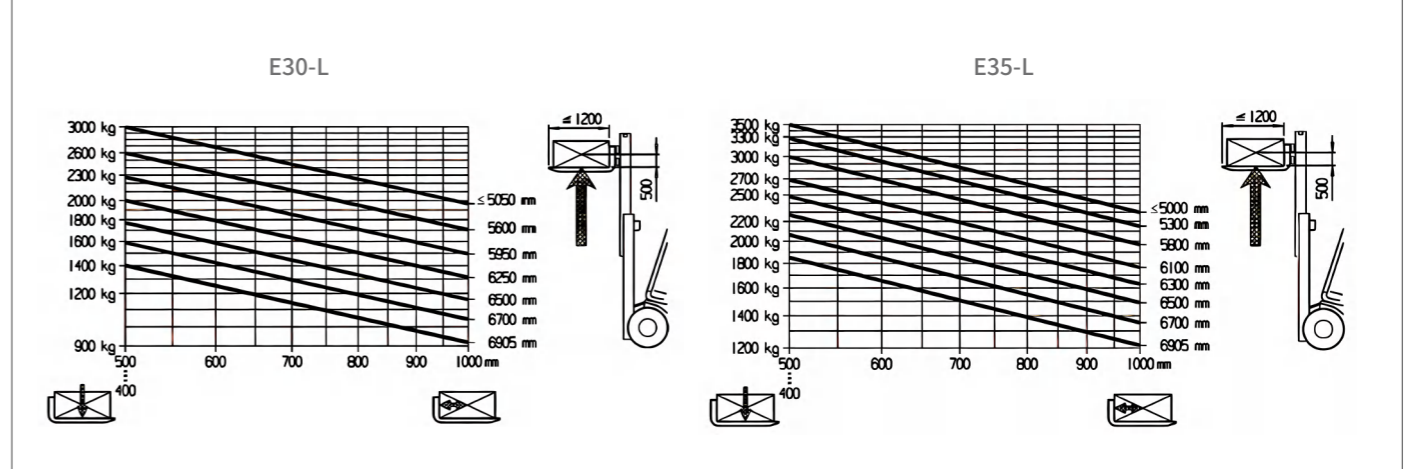
### Customize



### Carrier



## Load curve



# Comprehensive safety protection:

Sound perception + obstacle avoidance + touch reception, 360° omnidirectional three-layer protection

## Sensory Alerts

- Sound & Light Warning
- Width Indicator Lamp

## Contactless Protection

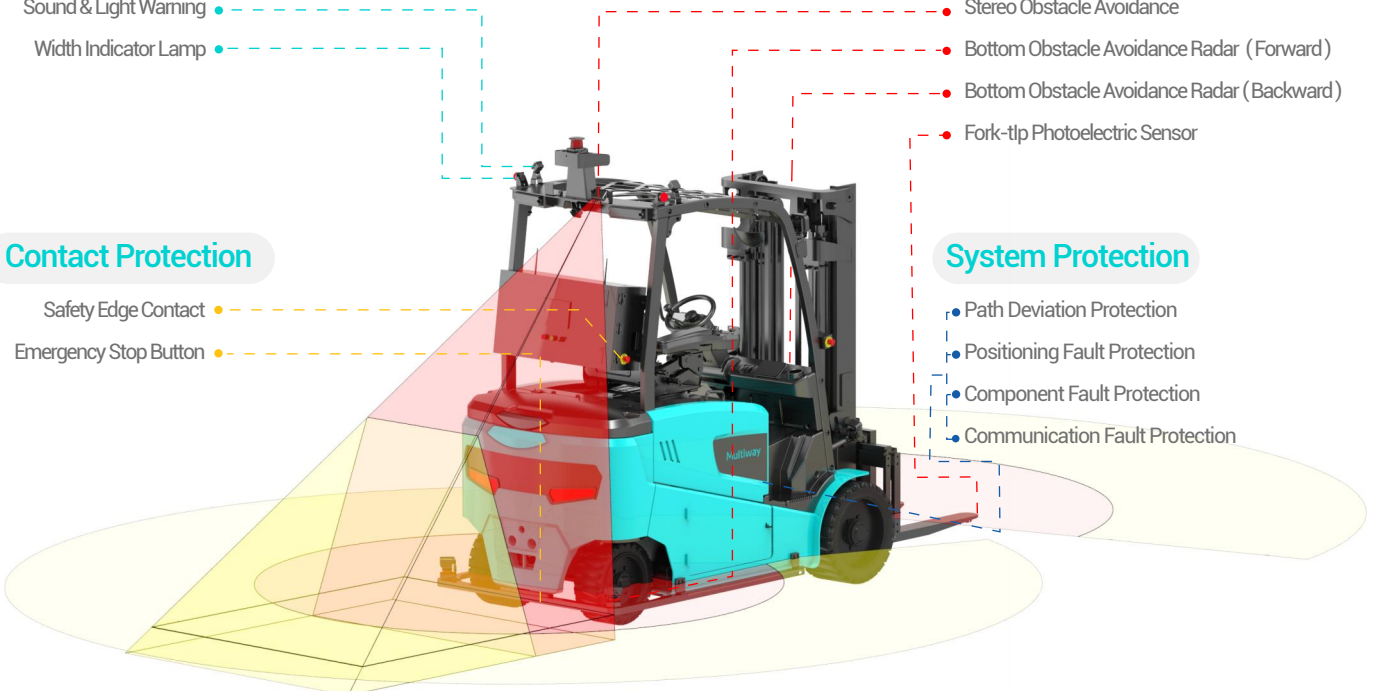
- Stereo Obstacle Avoidance
- Bottom Obstacle Avoidance Radar (Forward)
- Bottom Obstacle Avoidance Radar (Backward)
- Fork-tip Photoelectric Sensor

## Contact Protection

- Safety Edge Contact
- Emergency Stop Button

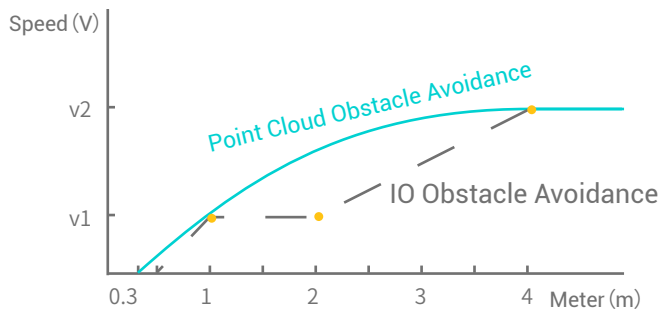
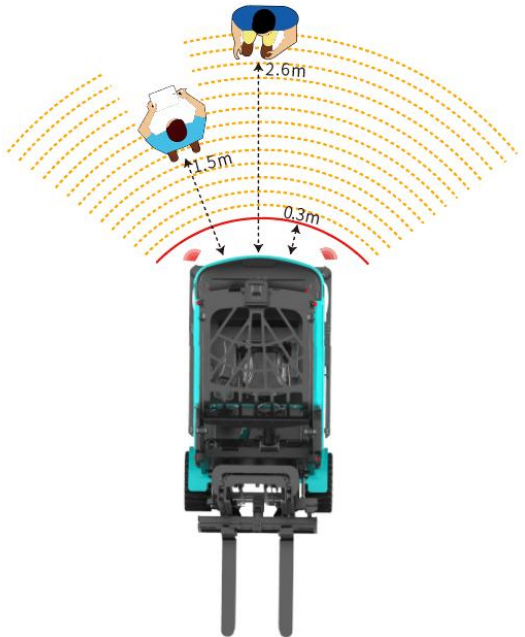
## System Protection

- Path Deviation Protection
- Positioning Fault Protection
- Component Fault Protection
- Communication Fault Protection



## Point Cloud Obstacle Avoidance:

The forward simulation algorithm can measure the distance to obstacles, autonomously plan the moving speed, ensure the vehicle accelerates and decelerates smoothly without sudden changes in speed.



# Multiway Robotics

---

Multiway Robotics, a leading intelligent intralogistics solution provider, with the mission of "Establish a new and efficient employment mode", is dedicated to drive continuous upgrades in social productive forces.

Global headquarter and laboratory are located in Shenzhen, China, with production facilities in Hefei. Multiway has also established sub subsidiaries in the United States, Germany, Japan, South Korea, and more, extending business, operations, and services to 30+ countries and regions worldwide. Focusing on advanced robotics and AI technology, Multiway Robotics is committed to delivering cutting-edge intelligent manufacturing and smart logistics solutions to our customers. Multiway offers a comprehensive, integrated innovation delivery platform and solutions, ranging from core sensors and algorithms to self-developed unmanned forklifts and upper-level control systems. Hardware products include a full range of unmanned forklifts and four-way shuttle, while software systems encompass Multiway Cloud, WMS, RCS, WCS, on-site management systems, and various visual solutions.

After successfully delivering numerous benchmark projects in industries such as factories, warehousing, and logistics, Multiway has become a trusted and ongoing collaborative partner for many industry-leading customers.



## Contact Us

### Overseas Offices:

USA · Atlanta | Japan · Tokyo | Korea · Seoul  
Germany · North Rhine-Westphalia  
China · Shenzhen

Hotline: + 86 133 9286 4873

Official website: [www.mw-r.com](http://www.mw-r.com)

Email: [sales@mw-robot.com](mailto:sales@mw-robot.com)

Subscribe to get the latest Multiway Robotics news