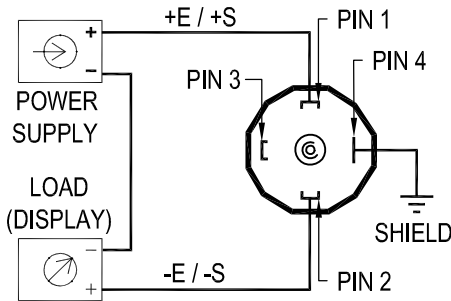


FUTEK MODEL PMP300

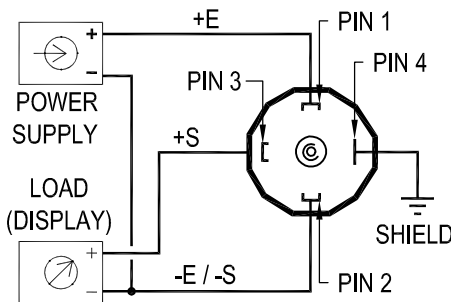
PRESSURE SENSOR (OEM)



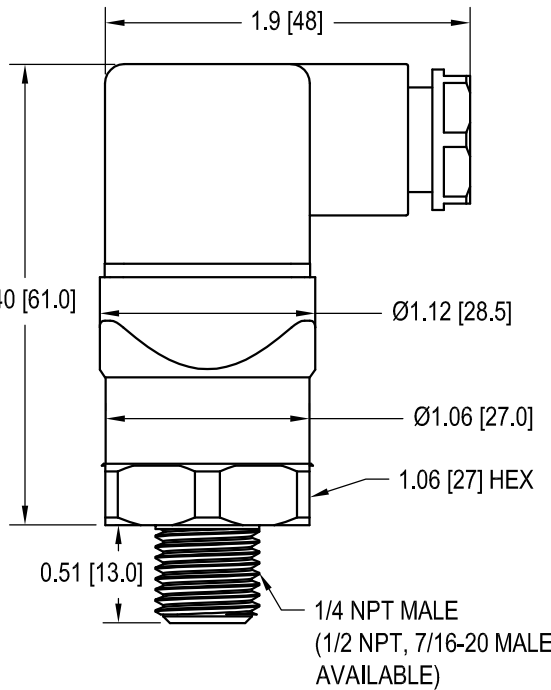
| | | | |
|--------------------------------|-------------|---------|---------|
| Drawing Number: F11287-D | | | |
| INCH [mm] R.O.= Rated Output | | | |
| +Excitation | -Excitation | +Signal | -Signal |
| RED | BLACK | GREEN | WHITE |



2-WIRE FOR CURRENT



3-WIRE FOR VOLTAGE



| GAUGE / RELATIVE RANGES | | |
|-------------------------|------------|--------------|
| CAPACITY PSI | MAX PSI | BURST PSI |
| 15 | 30 | 75 |
| 25 | 60 | 150 |
| 50 | 100 | 250 |
| 100 | 200 | 500 |
| 300 | 600 | 1500 |
| 500 | 1000 | 2500 |
| 1000 | 1740 | 7975 |
| 2000 | 4000 | 14500 |
| 3000 | 6000 | 17400 |
| 5000 | 10000 | 24650 |
| 10000 | 17400 | 34800 |

| ABSOLUTE RANGES | | |
|------------------|------------|--------------|
| CAPACITY PSIA | MAX PSI | BURST PSI |
| 15 | 30 | 75 |
| 25 | 60 | 150 |
| 50 | 100 | 250 |
| 100 | 200 | 500 |

SPECIFICATIONS:

| | |
|--|---|
| RATED OUTPUT | 0-10 VDC [4-20 mA available] |
| CAPACITY | See Chart |
| MAXIMUM PRESSURE | See Chart |
| BURST PRESSURE | See Chart |
| EXCITATION | 14-30 VDC [8-30 VDC for Current Output] |
| CURRENT DRAW | 8 mA [25 mA for Current Version] |
| NONLINEARITY | ±0.5% of R.O. (BFSL) ; ±1% of R.O. (End Point) |
| ZERO BALANCE | ±0.5% of R.O. |
| HYSTERESIS | ±0.16% of R.O. |
| NON-REPEATABILITY | ±0.1% of R.O. |
| RESPONSE TIME | ≤ 4 ms |
| TEMP. SHIFT ZERO | ± 0.02% of R.O./°F (0.036% of R.O./°C) |
| TEMP. SHIFT SPAN | ± 0.02% of LOAD/°F (0.036% of LOAD/°C) |
| COMPENSATED TEMP. | 32 to 176°F (0 to 80°C) |
| OPERATING TEMP. (MEDIUM & BODY) | -40 to 176°F (-40 to 80°C) |
| WEIGHT | Approx. 2.8 oz (80 g) |
| MATERIAL (BODY/WETTED PARTS) | Stainless Steel |
| CE CONFORMITY | 2004 /108 / EG EMC Directive EN 61 326 Emission Group 1, Class B Immunity Industrial Locations 97/23/EC Pressure Equipment Directive |
| SHOCK RESISTANCE | 500g (IEC 60068-2-27) |
| VIBRATION RESISTANCE | 10g (IEC 60068-2-6) |
| WIRING PROTECTION | Reverse Polarity, 32 VDC Max Overvoltage and Short Circuit |
| CONNECTOR: DIN EN 175301-803A (DIN 43 650) w/ Plug Connector | |
| CALIBRATION (STD) | CERTIFICATE OF CONFORMANCE INCLUDED |
| CALIBRATION (AVAILABLE) | NIST TRACEABLE 5 pt. |



This drawing is submitted solely for the information and exclusive use of the original addressee. It is not to be divulged in whole or in part, by any firm or individual without written permission from FUTEK

CAGE CODE # 1X8M6

10 THOMAS
IRVINE, CA 92618 USA
1-800-23-FUTEK (38835)

INTERNET:
<http://www.futek.com>