

FSH03887



FEATURES

- Minimal mounting clearance
- 17-4 PH stainless-steel construction
- For use in both tension and compression
- Utilizes metal foil strain gauge technology
- Adheres to RoHS directive 2011/65/EU
- Accessories and related instruments available

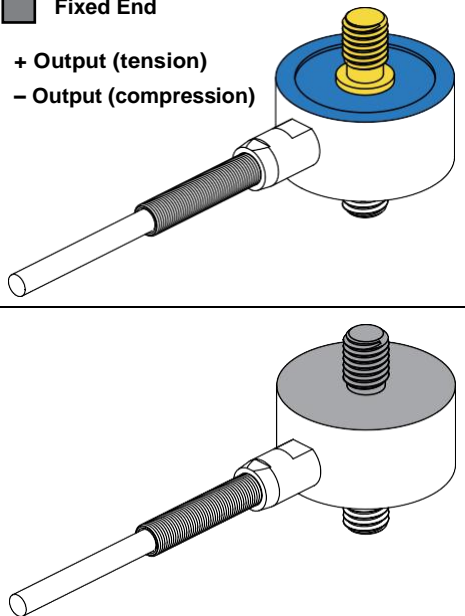
 Non-loading surface, do not contact

 Active End

 Fixed End

+ Output (tension)

- Output (compression)



SPECIFICATIONS

PERFORMANCE

Nonlinearity $\pm 0.25\%$ of RO

Hysteresis $\pm 0.25\%$ of RO

Nonrepeatability $\pm 0.1\%$ of RO

ELECTRICAL

Rated Output (RO) 2 mV/V nom

Excitation (VDC or VAC) 15 max

Bridge Resistance 740 Ohm nom

Insulation Resistance ≥ 500 MOhm @ 50 VDC

Connection #28 AWG, 4 conductor braided-shielded PVC cable 10 ft (3 m) long

Wiring/Connector Code WC1

MECHANICAL

Weight (minus cable) 1.5 oz [42.5 g]

Safe Overload 150% of RO

Deflection 0.001 in [0.03 mm] nom

Material (flexure) 17-4 PH stainless-steel

IP Rating IP64

TEMPERATURE

Operating Temperature -45 to 200°F (-42 to 93°C)

Compensated Temperature 60 to 160°F (15 to 72°C)

Temperature Shift Zero $\pm 0.005\%$ of RO/ $^{\circ}\text{F}$ (± 0.01 of RO/ $^{\circ}\text{C}$)

Temperature Shift Span $\pm 0.02\%$ of load/ $^{\circ}\text{F}$ (± 0.036 of load/ $^{\circ}\text{C}$)

CALIBRATION

Calibration Test Excitation 10 VDC

Calibration (standard) 5-pt Tension

Calibration (available) Compression

Shunt Calibration Value 100 kOhm

CONFORMITY

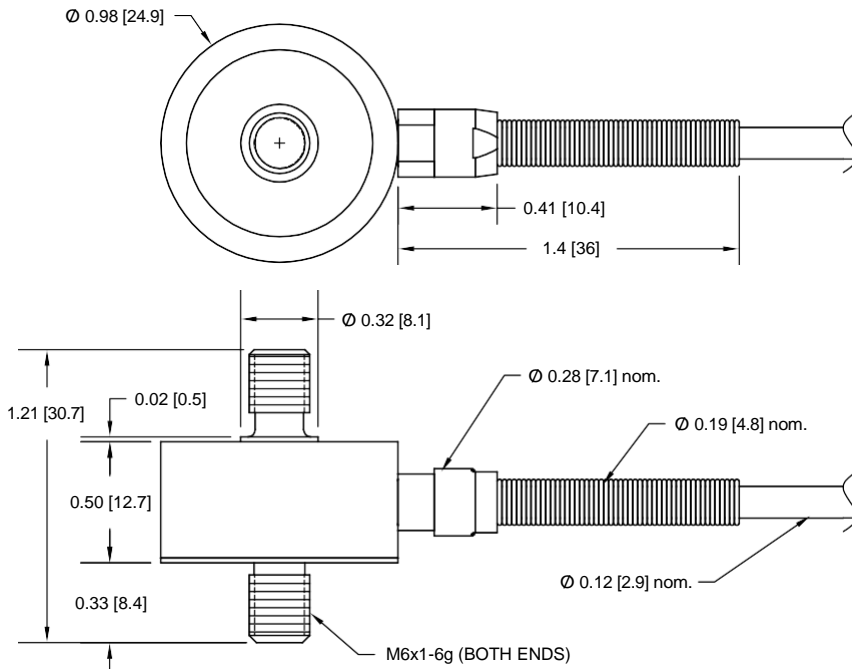
RoHS 2011/65/EU

CE EN55011:2009; EN61326-1:2006

Sensor Solution Source

Load · Torque · Pressure · Multi-Axis · Calibration · Instruments · Software

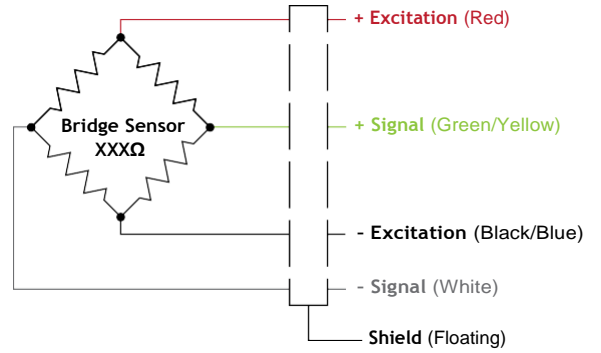
DIMENSIONS inches [mm]



FSH03887

WIRING CODE (WC1 WITH SHIELD)

RED	+ EXCITATION
BLACK	- EXCITATION
GREEN	+ SIGNAL
WHITE	- SIGNAL
SHIELD	FLOATING



CAPACITIES

ITEM #	lb	N	Natural Frequency (kHz)
FSH03884	50	223	7.5
FSH03885	100	445	10.2
FSH03886	250	1112	16.2
FSH03887	500	2224	22.9
FSH03888	1000	4448	30.1