

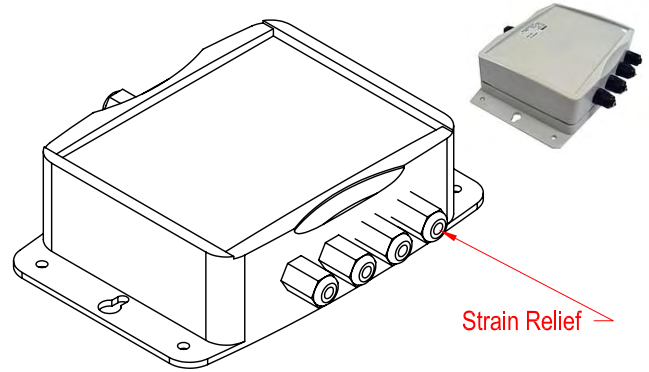
MODEL IAC200

2 - 4 CHANNEL SUMMING JUNCTION BOX

Available Amplifier: ± 5 , ± 10 VDC or 4-20 mA Analog Output (Optional)

FEATURES:

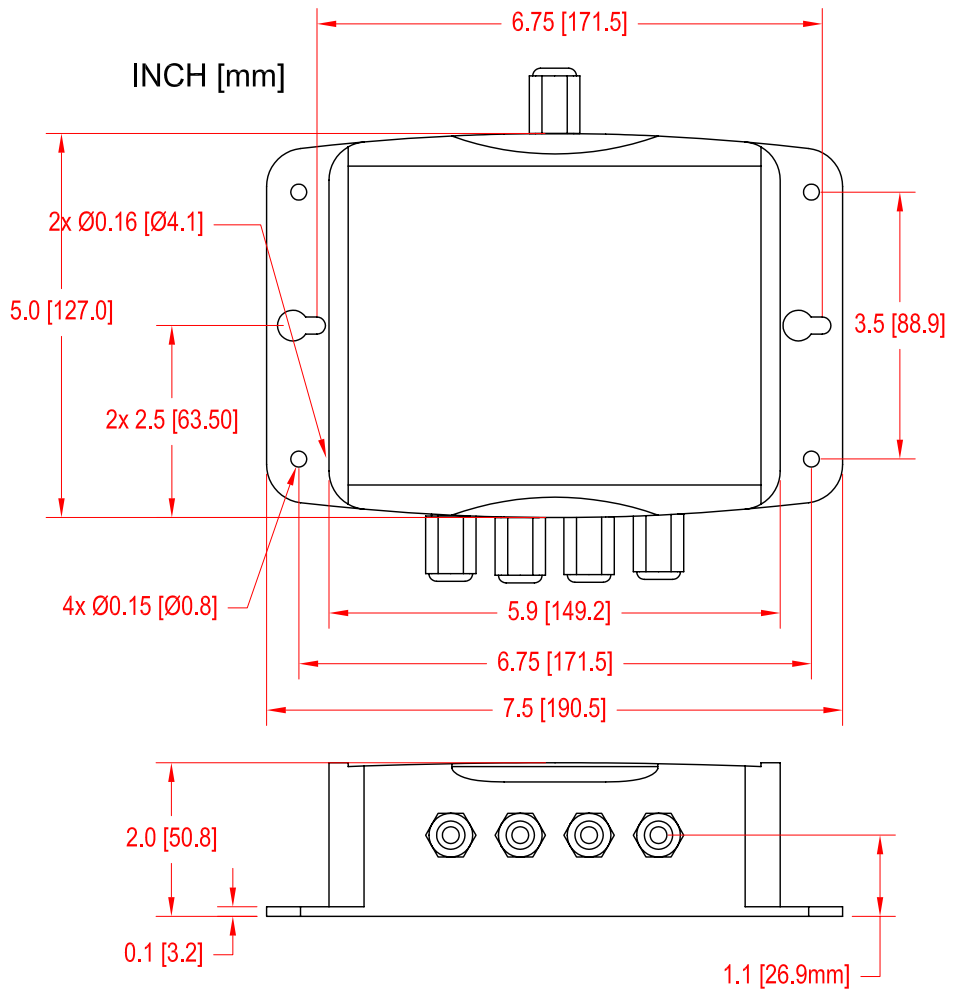
- Excitation
 - mV/V Version: Refer to sensor infosheet for max excitation, system not to exceed 24 VDC
 - VDC, mA Version: 12-24 VDC.
- Dip Switch Selectable Channels (2-4)
- Individual Span Adjustment For All 4 Channels
 - 350 ohm bridge - 13%
 - 700 ohm bridge - 24%
 - 1000 ohm bridge - 31%
- Easy Access Screw Terminal Blocks
- Cable Strain Relief To Support Cables From $\varnothing 0.08$ [$\varnothing 2.0$] to $\varnothing 0.25$ [$\varnothing 25.4$]
- Dual Mounting Hole
- IP-65/NEMA 4X Rated Housing
- UV Stable 94V-2 Polycarbonate Material



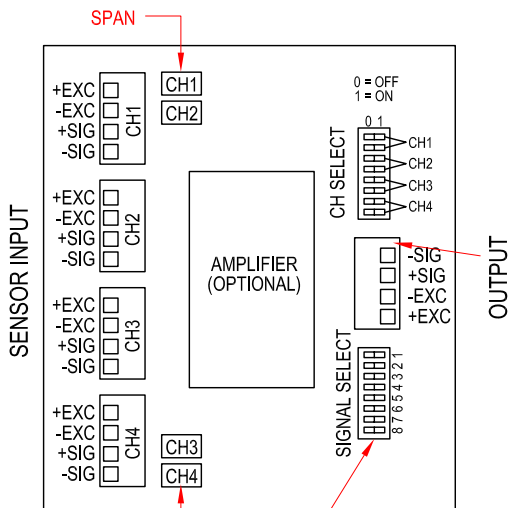
Strain Relief

ENVIRONMENT:

- Operating & Storage Temperature:
 - 40°F to 185°F [-40°C to 85°C]
- 95% Relative Humidity Non-Condensing



STK#	Output
FSH02126	mV/V
FSH01927	± 5 , ± 10 VDC or 4-20 mA

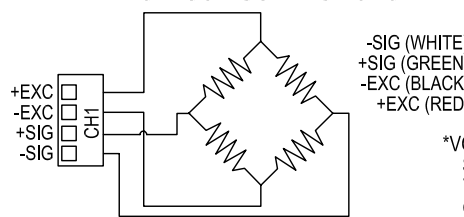


DIP SWITCH SELECTION

	1	2	3	4	5	6	7	8
S (mV/V)	1	0	1	1	0	0	1	0
V (VDC)*	0	1	1	0	1	0	0	1
I (mA)*	0	1	1	0	0	1	0	1

* USE w/ AMPLIFIER OPTION ONLY

SENSOR CONNECTIONS



*PLEASE SEE SENSOR SPECIFICATION FOR CORRECT COLOR CODE

OUTPUT CONNECTIONS

	+EXC	-EXC	+SIG	-SIG
STRAIN	+EXC	-EXC	+SIG	-SIG
VOLTAGE	+PWR	-PWR	V OUT	V RETURN
CURRENT	+PWR	-PWR	I OUT	I RETURN

*VOLTAGES
STRAIN-SEE SENSOR SPECIFICATIONS FOR MAX LEVEL
VOLTAGE: 12-24 VDC @ 150mA FOR \pm PWR
CURRENT: 12-24 VDC @ 150mA FOR \pm PWR