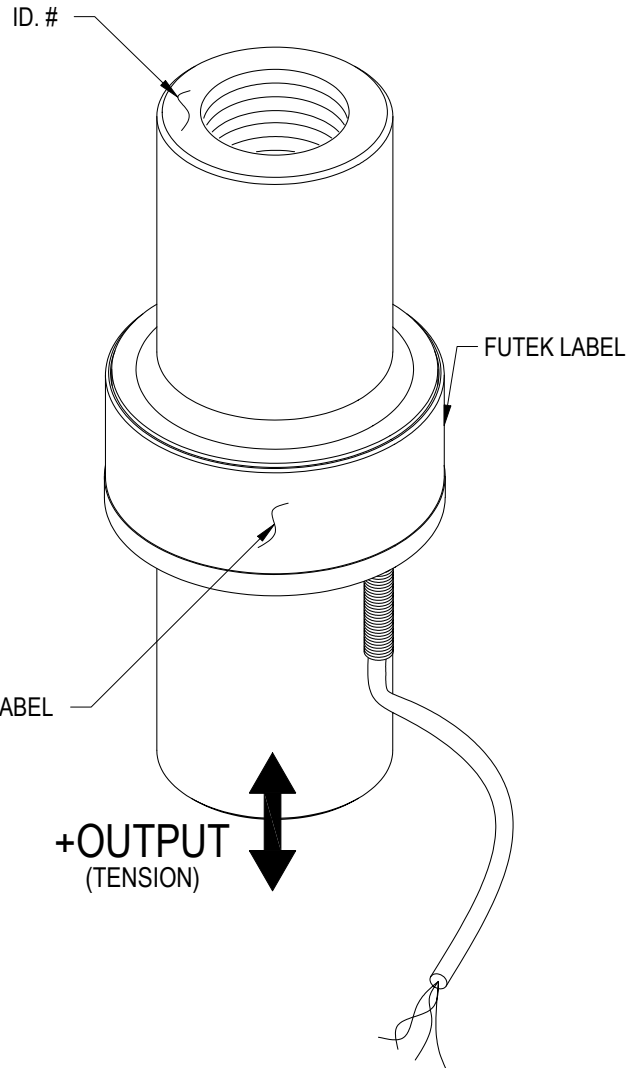
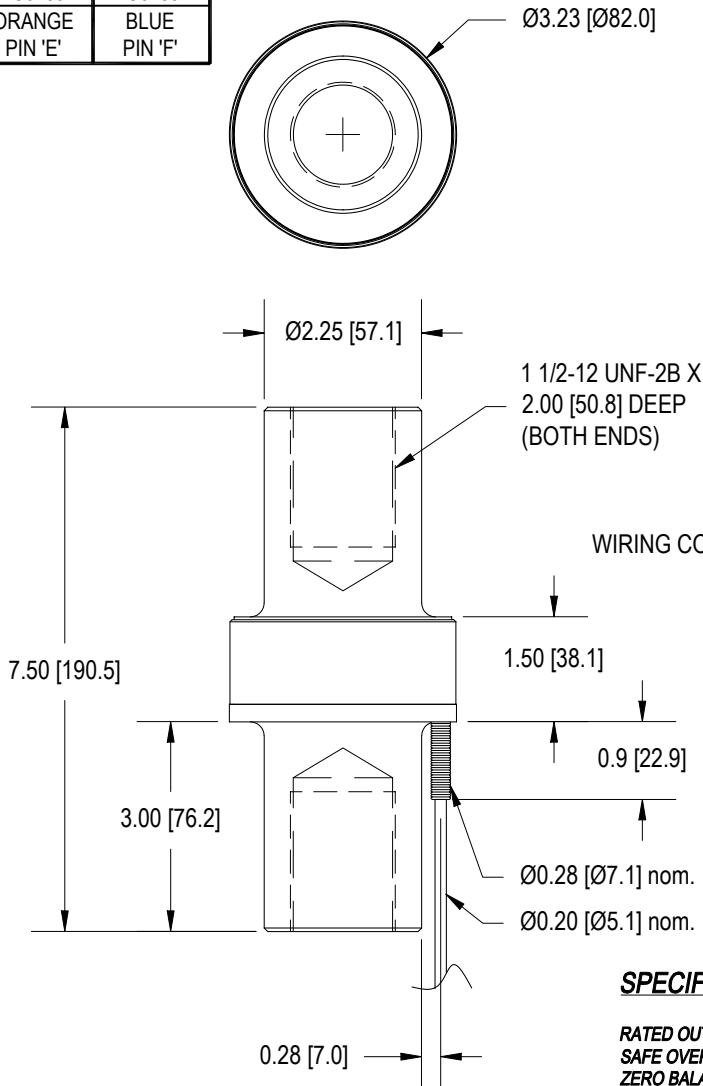


## FEMALE THREADED ROD LOAD CELL (standard threads) (Previously L2821)

<b>Drawing Number: FI1097</b>			
<b>INCH [mm]</b>		<b>R.O.= Rated Output</b>	
<b>WIRING CODE (GC1)</b>			
+Excitation	-Excitation	+Signal	-Signal
RED PIN 'A'	BLACK PIN 'B'	GREEN PIN 'C'	WHITE PIN 'D'
+Sense	-Sense		
ORANGE PIN 'E'	BLUE PIN 'F'		



### SPECIFICATIONS:

RATED OUTPUT	2 mV/V nom.
SAFE OVERLOAD	150% of R.O.
ZERO BALANCE	1% of R.O.
EXCITATION (VDC OR VAC)	20 MAX
BRIDGE RESISTANCE	350 $\Omega$ nom.
NONLINEARITY	$\pm 0.25\%$ of R.O.
HYSTERESIS	$\pm 0.25\%$ of R.O.
NONREPEATABILITY	$\pm 0.1\%$ of R.O.
TEMP. SHIFT ZERO	$\pm 0.005\%$ of R.O./°F [0.01% of R.O./°C]
TEMP. SHIFT SPAN	$\pm 0.005\%$ of LOAD/°F [0.01% of LOAD/°C]
COMPENSATED TEMP.	60 to 160°F [15 to 72°C]
OPERATING TEMP.	-45 to 200°F [-42 to 93°C]
WEIGHT	10 lb [4.5 Kg]
MATERIAL (FLEXURE)	17-4PH S.S.
MATERIAL (COVER)	ALUMINUM
DEFLECTION	0.001 [0.03] nom.
CABLE: #28 AWG, 6 Conductor, Spiral Shielded Polyurethane Cable 10 ft [3 m] Long	
ACCESSORIES AND RELATED INSTRUMENTS AVAILABLE	
CALIBRATION (STD)	5 pt. COMPRESSION; 60.4 K $\Omega$ SHUNT CAL. VALUE
CALIBRATION (AVAILABLE)	TENSION
CALIBRATION TEST EXCITATION	10 VDC

STK#	CAPACITIES	
	lb	N
FSH01856	50k	222k
FSH01857	100k	445k
FSH01858	150k	667k