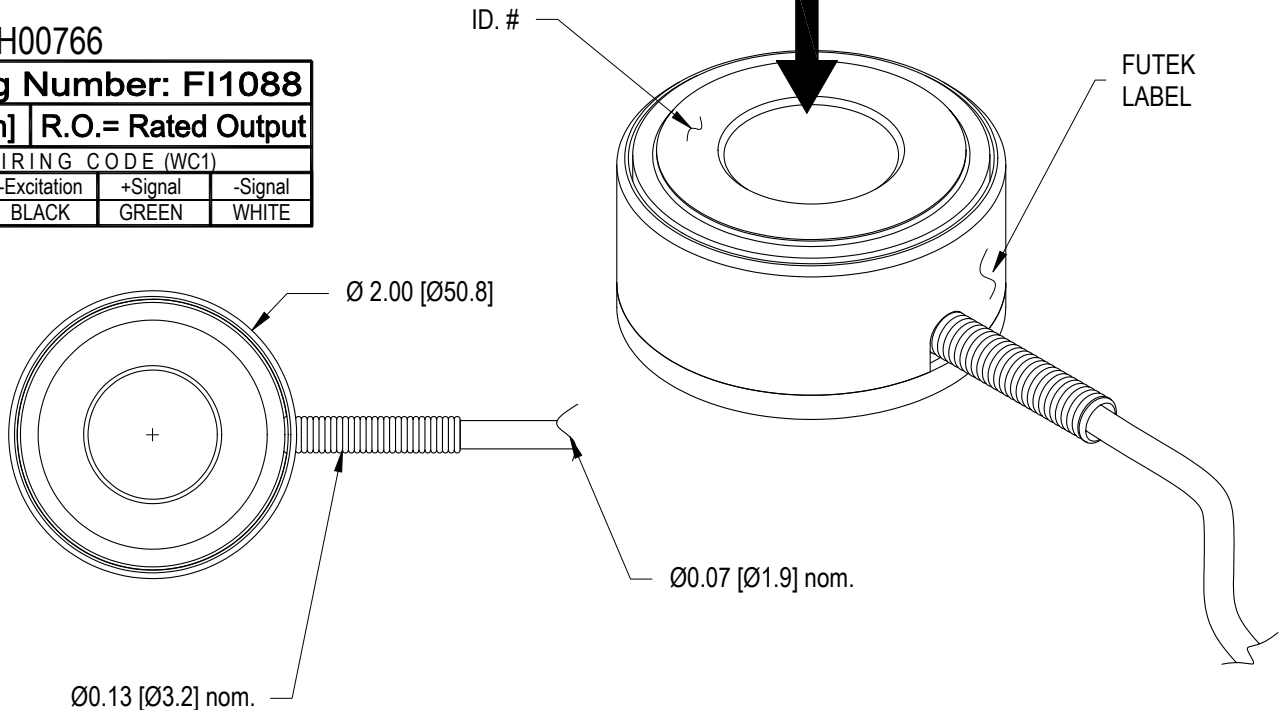


# LLW470 FORCE/LOAD WASHER LOAD CELL (Previously L2700)

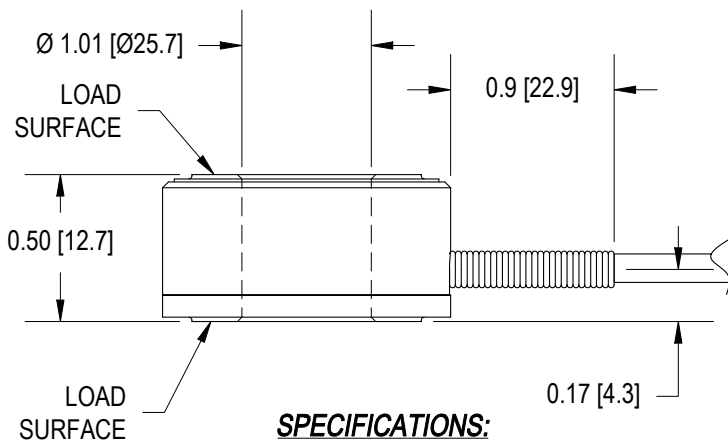
+ OUTPUT  
(COMPRESSION)

STK# FSH00766

<b>Drawing Number: FI1088</b>			
<b>INCH [mm]</b>	<b>R.O.= Rated Output</b>		
<b>WIRING CODE (WC1)</b>			
<b>+Excitation</b>	<b>-Excitation</b>	<b>+Signal</b>	<b>-Signal</b>
RED	BLACK	GREEN	WHITE



MOUNTING SURFACES SHOULD BE FLAT AND PARALLEL FOR OPTIMUM PERFORMANCE



**SPECIFICATIONS:**

<b>RATED OUTPUT</b>	2 mV/V nom.
<b>CAPACITY</b>	80klb [356kN]
<b>SAFE OVERLOAD</b>	150% of R.O.
<b>ZERO BALANCE</b>	±10% of R.O.
<b>EXCITATION (VDC OR VAC)</b>	18 MAX
<b>BRIDGE RESISTANCE</b>	350 Ω nom.
<b>TEMP. SHIFT ZERO</b>	±0.02% of R.O./°F [0.036% of R.O./°C]
<b>TEMP. SHIFT SPAN</b>	±0.01% of LOAD/°F [0.018% of LOAD/°C]
<b>COMPENSATED TEMP.</b>	60 to 160°F [15 to 72°C]
<b>OPERATING TEMP.</b>	-45 to 200°F [-42 to 93°C]
<b>MATERIAL</b>	17-4PH S.S.
<b>DEFLECTION</b>	0.001 [0.03] nom.
<b>BOLT SIZE</b>	1 in.
<b>CABLE:#29 AWG, 4 Conductor, Spiral Shielded Teflon Cable 10 ft [3 m] Long</b>	
<b>ACCESORIES AND RELATED INSTRUMENTS AVAILABLE</b>	
<b>CALIBRATION (STD)</b>	5 pt. COMPRESSION; 60.4 KΩ SHUNT CAL. VALUE
<b>CALIBRATION TEST EXCITATION</b>	10 VDC

