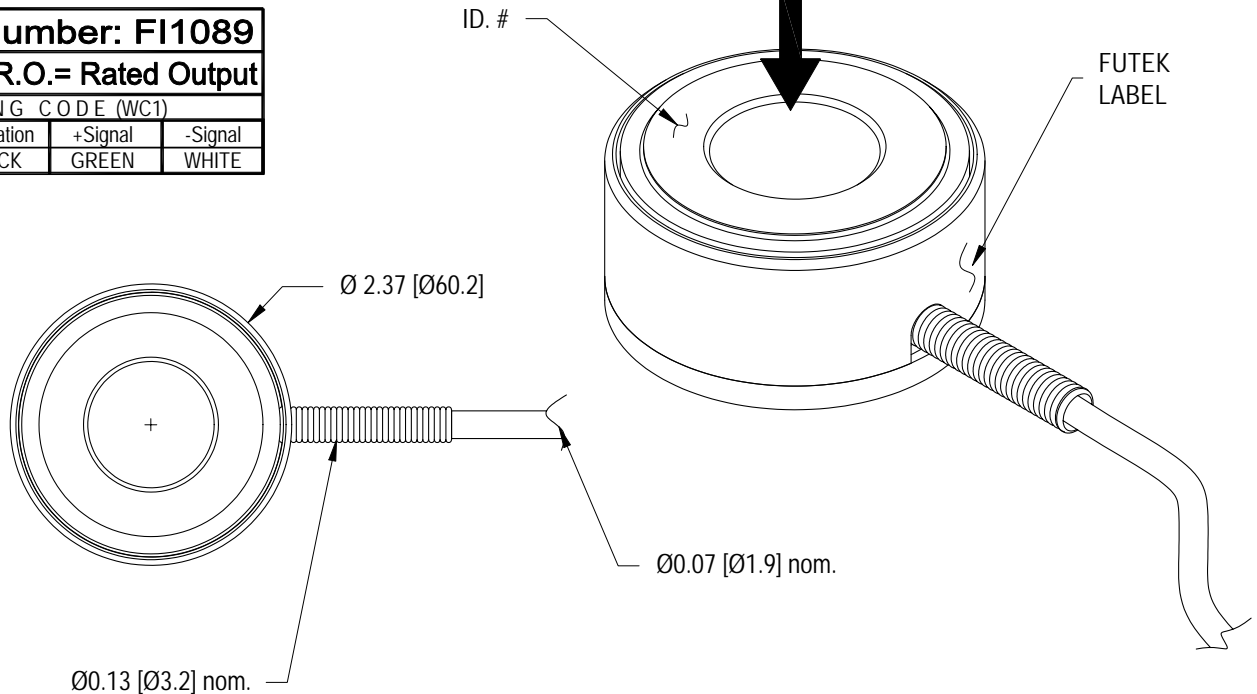


FORCE/LOAD WASHER LOAD CELL

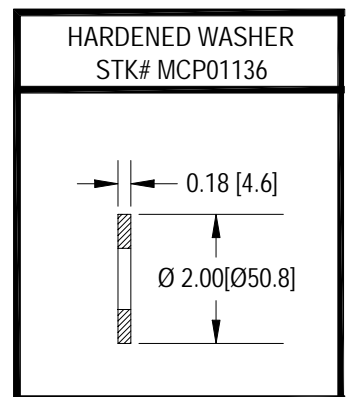
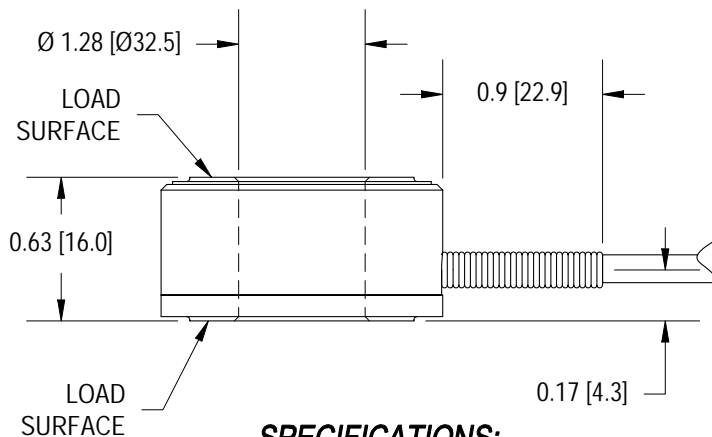
(Previously L2700)

+ OUTPUT
(COMPRESSION)

Drawing Number: FI1089			
INCH [mm]		R.O.= Rated Output	
WIRING CODE (WC1)			
+Excitation	-Excitation	+Signal	-Signal
RED	BLACK	GREEN	WHITE



MOUNTING SURFACES SHOULD BE FLAT AND PARALLEL FOR OPTIMUM PERFORMANCE



SPECIFICATIONS:

RATED OUTPUT	2 mV/V nom.
CAPACITY	125klb [556kN]
SAFE OVERLOAD	150% of R.O.
ZERO BALANCE	±10% of R.O.
EXCITATION (VDC OR VAC)	18 MAX
BRIDGE RESISTANCE	350 Ω nom.
TEMP. SHIFT ZERO	±0.02% of R.O./°F [0.036% of R.O./°C]
TEMP. SHIFT SPAN	±0.01% of LOAD/°F [0.018% of LOAD/°C]
COMPENSATED TEMP.	60 to 160°F [15 to 72°C]
OPERATING TEMP.	-45 to 200°F [-42 to 93°C]
MATERIAL	17-4PH S.S.
DEFLECTION	0.001 [0.03] nom.
BOLT SIZE	1 1/4 in.
CABLE:#29 AWG, 4 Conductor, Spiral Shielded Teflon Cable 10 ft [3 m] Long	
ACCESORIES AND RELATED INSTRUMENTS AVAILABLE	
CALIBRATION (STD)	5 pt. COMPRESSION; 60.4 KΩ SHUNT CAL. VALUE
CALIBRATION TEST EXCITATION	10 VDC