






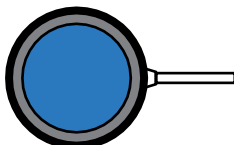
FEATURES

- Ultra fast response
- Robust strain relief
- Low deflection
- 17-4 stainless-steel construction
- For use in compression
- Adheres to RoHS directive 2011/65/EU

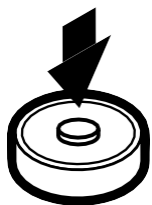
-  **Non-loading surface, do not contact**
-  **Active End**
-  **Fixed End**



Top view



Bottom view



+ Output (compression)

SPECIFICATIONS

PERFORMANCE

Nonlinearity	±0.2% of RO
Hysteresis	±0.2% of RO
Nonrepeatability	±0.1% of RO

ELECTRICAL

Rated Output (RO)	2.5 mV/V (1000 lb) 1 mV/V (50, 250 lb) 2 mV/V (25, 100, 500 lb)
Excitation (VDC or VAC)	18 max
Bridge Resistance	700 Ohm nom
Insulation Resistance	≥500 MOhm @ 50 VDC
Connection	#29 AWG, 4 conductor, spiral shielded Teflon cable 10-ft [3 m] long
Wiring/Connector Code	WC1

MECHANICAL

Weight	1.2 oz [34 g]
Safe Overload	150% of RO
Deflection	See chart on next page
Material	17-4 PH stainless-steel
IP Rating	IP64

TEMPERATURE

Operating Temperature	-60 to 250°F (-50 to 121°C)
Compensated Temperature	60 to 250°F (15 to 121°C)
Temperature Shift Zero	±0.01% of RO/°F (±0.018% of RO/°C)
Temperature Shift Span	±0.02% of Load/°F (±0.036% of Load/°C)

CALIBRATION

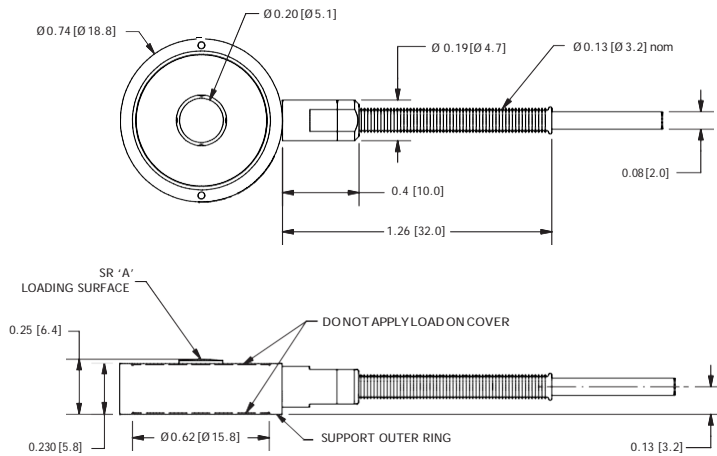
Calibration Test Excitation	10 VDC
Calibration (std)	5-pt Compression
Shunt Calibration Value	100 kOhm

CONFORMITY

RoHS	2011/65/EU
CE	EN55011:2009; EN61326-1:2006

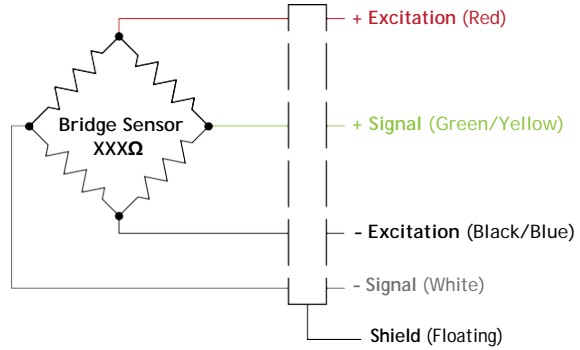


DIMENSIONS inches [mm]



WIRING CODE (WC1 WITH SHIELD)

RED	+ EXCITATION
BLACK	- EXCITATION
GREEN	+ SIGNAL
WHITE	- SIGNAL
SHIELD	FLOATING



CAPACITIES

ITEM #	lb	N	Deflection (in)	Natural Frequency (kHz)
FSH03939	25	111	0.0007	21
FSH03954	50	222	0.0003	34
FSH03955	100	445	0.0007	34
FSH03938	250	1112	0.0004	52
FSH03953	500	2224	0.0007	52
FSH03937	1000	4448	0.001	58