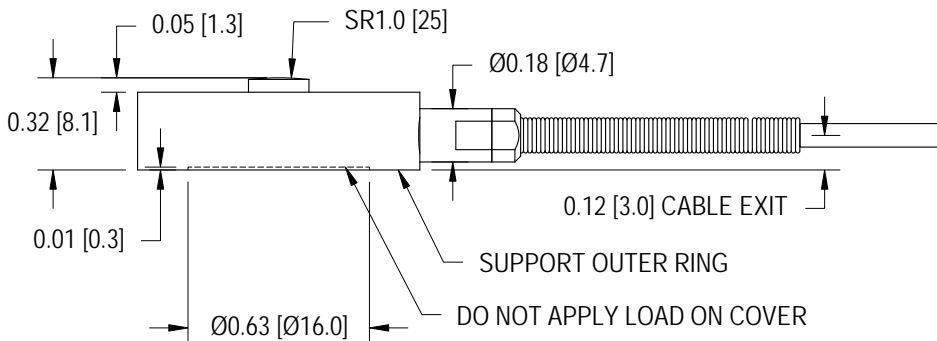
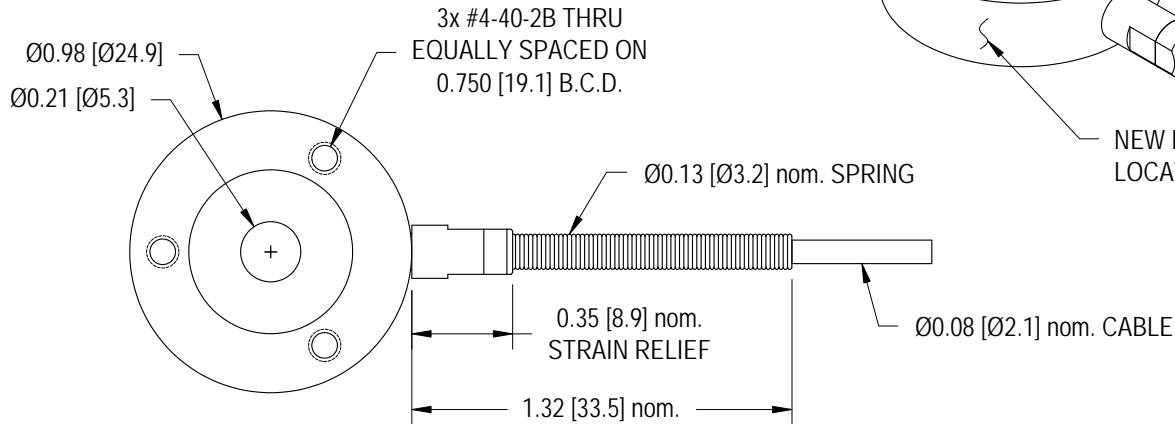
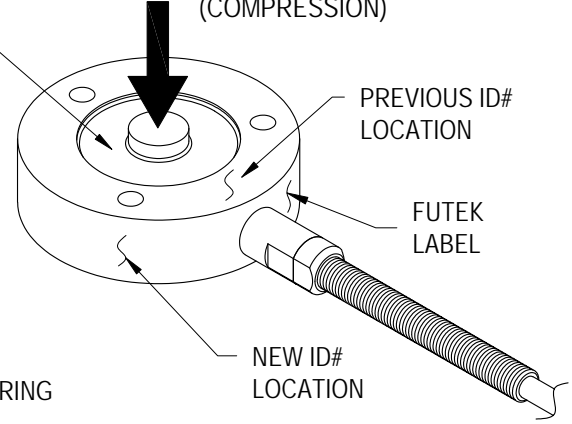


MINIATURE LOAD BUTTON WITH THREADED MOUNTING HOLES

Drawing Number: FI1054-A			
INCH [mm]		R.O.= Rated Output	
WIRING CODE (WC1)			
+Excitation	-Excitation	+Signal	-Signal
RED	BLACK	GREEN	WHITE
Shield			
FLOATING			

NON LOADING SURFACE
DO NOT CONTACT

+ OUTPUT
(COMPRESSION)



STK #	CAPACITIES	
	lb	N
FSH00870	25	111
FSH00871	50	222
FSH00872	100	445

SPECIFICATIONS:

RATED OUTPUT	2 mV/V nom.	} IMPROVED ACCURACY AVAILABLE CONTACT FACTORY
SAFE OVERLOAD	150% of R.O.	
ZERO BALANCE	±3% of R.O.	
EXCITATION (VDC OR VAC)	18 MAX	}
BRIDGE RESISTANCE	350 Ω nom.	
NONLINEARITY	±0.5% of R.O.	}
HYSTERESIS	±0.5% of R.O.	
NONREPEATABILITY	±0.1% of R.O.	
TEMP. SHIFT ZERO	±0.01% of R.O./°F [0.018% of R.O./°C]	}
TEMP. SHIFT SPAN	±0.02% of LOAD/°F [0.036% of LOAD/°C]	
COMPENSATED TEMP. OPERATING TEMP.	60 to 160°F [15 to 72°C]	}
DEFLECTION	-60 to 200°F [-50 to 93°C]	
WEIGHT	0.003 [0.08] nom.	}
MATERIAL	0.7 oz [20 g], 2.1 oz [60 g] with threaded stud option	
CABLE: #29 AWG, 4 Conductor, Spiral Shielded Teflon Cable 10 ft [3m] Long	17-4PH S.S.	
ACCESSORIES AND RELATED INSTRUMENTS AVAILABLE		
CALIBRATION (STD)	5 pt. COMPRESSION; 60.4 K Ω SHUNT CAL. VALUE	
CALIBRATION TEST EXCITATION	10 VDC	

