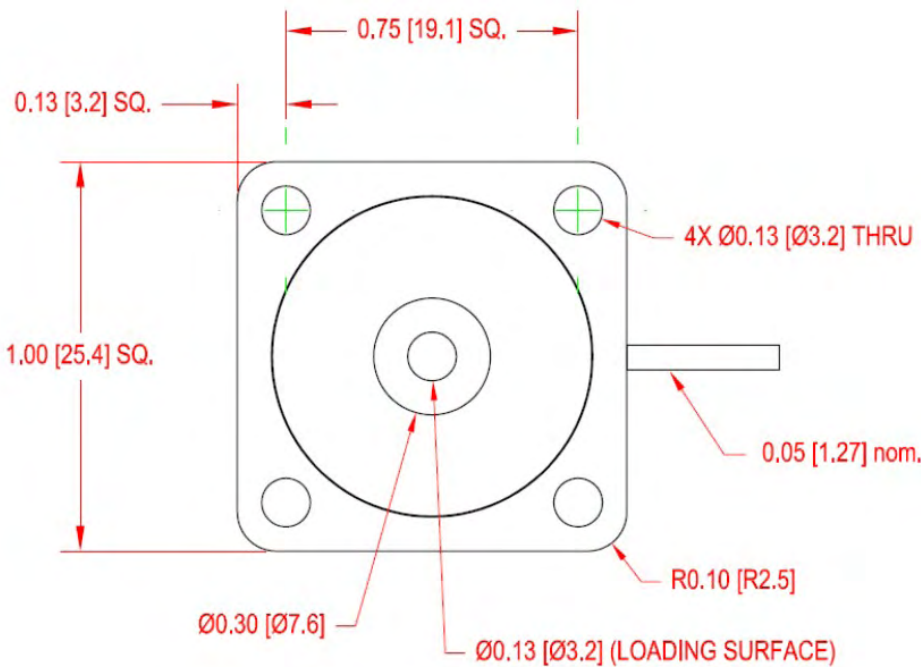
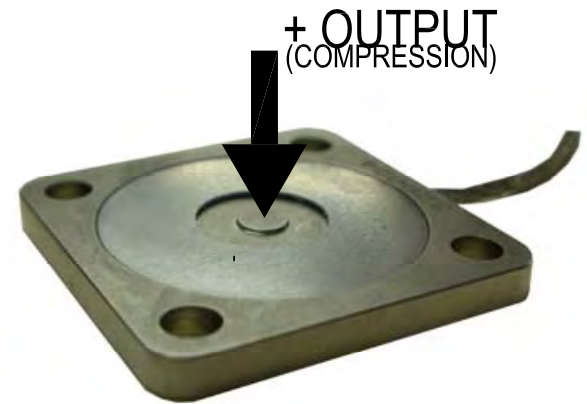


¡ Tu Sitio de Automatización !

ULTRA THIN LOAD BUTTON WITH MOUNTING BRACKET
(Previously L 1800)

Drawing Number: FI1123-A			
INCH [mm]		R.O.= Rated Output	
WIRING CODE (WC1)			
+Excitation	-Excitation	+Signal	-Signal
RED	BLACK	GREEN	WHITE
Shield			
Grounded			



SPECIFICATIONS:

RATED OUTPUT	1.5 mV/V nom.
CAPACITY	$\frac{1}{4.5}$
SAFE OVERLOAD	150% of R.O.
ZERO BALANCE	±3% of R.O.
EXCITATION (VDC OR VAC)	15 MAX
BRIDGE RESISTANCE	1000 Ω nom.
NONLINEARITY	±1% of R.O.
HYSTERESIS	±1% of R.O.
NONREPEATABILITY	±0.1% of R.O.
TEMP. SHIFT ZERO	±0.02% of R.O./°F [0.036% of R.O./°C]
TEMP. SHIFT SPAN	±0.02% of LOAD/°F [0.036% of LOAD/°C]
COMPENSATED TEMP.	60 to 160°F [15 to 72°C]
OPERATING TEMP.	-60 to 200°F [-50 to 93°C]
WEIGHT	1 oz [28 g]
MATERIAL	17-4 PH S.S.
DEFLECTION	0.008 [0.2] nom.
CABLE: #34 AWG, 4 Conductor, Braided Shielded Cable 10 ft [3 M] Long	
ACCESSORIES AND RELATED INSTRUMENTS AVAILABLE	
CALIBRATION (STD)	5 pt. COMPRESSION; 200K Ω SHUNT CAL. VALUE
CALIBRATION TEST EXCITATION	10 VDC

