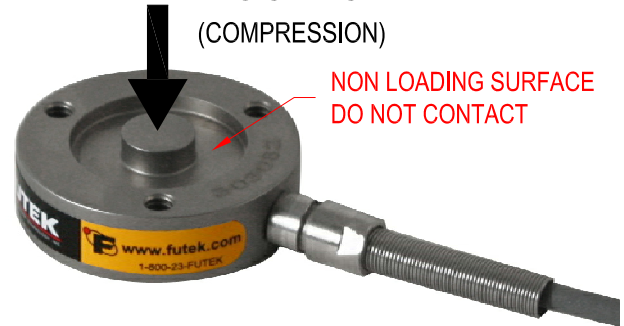
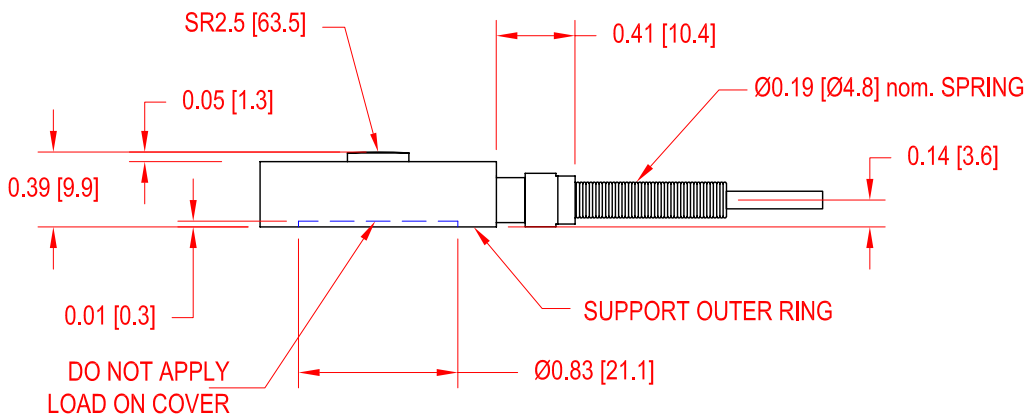
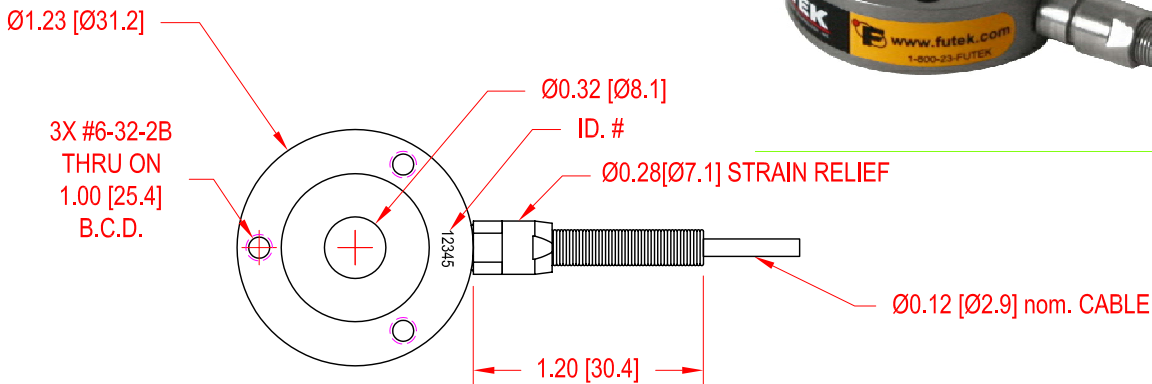


MINIATURE LOAD BUTTON W/ MOUNTING HOLES

+ OUTPUT
(COMPRESSION)



Drawing Number: FI1055-C			
INCH [mm]		R.O.= Rated Output	
WIRING CODE (WC1)			
+Excitation	-Excitation	+Signal	-Signal
RED	BLACK	GREEN	WHITE
Shield			
FLOATING			



SPECIFICATIONS:

RATED OUTPUT	2 mV/V nom. (100 to 2000 lb), 2.5 mV/V nom. (2500 lb)
SAFE OVERLOAD	150% of R.O.
ZERO BALANCE	±3% of R.O.
EXCITATION (VDC OR VAC)	18 MAX
BRIDGE RESISTANCE	700 Ω nom.
NONLINEARITY	SEE CHART
HYSTERESIS	SEE CHART
NONREPEATABILITY	±0.05% of R.O.
TEMP. SHIFT ZERO	±0.01% of R.O./°F [0.018% of R.O./°C]
TEMP. SHIFT SPAN	±0.02% of LOAD/°F [0.036% of LOAD/°C]
COMPENSATED TEMP.	60 to 160°F [15 to 72°C]
OPERATING TEMP.	-60 to 200°F [-50 to 93°C]
DEFLECTION	0.0009 [0.02] to 0.0015 [0.04] nom.
MATERIAL	17-4PH S.S.
CABLE: #26 AWG, 4 Conductor, Braided Shielded Teflon Cable 10 ft [3m] Long	
ACCESSORIES AND RELATED INSTRUMENTS AVAILABLE	
CALIBRATION (STD) 5 pt. COMPRESSION; 100K Ω , 87.325K Ω (2.5K lb) SHUNT CAL. VALUE	
CALIBRATION TEST EXCITATION 10 VDC	

STK #	CAPACITIES		NONLINEARITY % of R.O.	HYSTERESIS % of R.O.
	lb	N		
FSH00873	100	445	±0.15	±0.15
FSH00874	250	1112	±0.15	±0.15
FSH00875	500	2224	±0.25	±0.25
FSH00877	1000	4448	±0.25	±0.25
FSH00878	2000	8896	±0.25	±0.25
FSH00879	2500	11120	±0.50	±0.50