



ZT-2060

Wireless 6-channel Isolated Digital Input and 4-channel Relay Output Module

Introduction

The ZT-2060 offers 4 Form A power relay output channels and 6 digital input channels, each of which features photocouple isolation. In addition, you can choose sink-type or source-type input via wire connections. All channels are able to be used as 16-bit counters. The ZT-2060 has 10 LED indicators to display the channel status, and has 4 kV ESD protection and 3000 Vdc intra-module isolation. Users can easily configure the module address, protocol, checksum, ZB-PID and ZB-channel settings using a combination of rotary and DIP switches.

System Specifications

Communication Interface	
Wireless Standards	ZigBee 2007 Pro
Transmission Power	11 dBm (FCC Certified)
2.4 GHz Antenna	5 dBi Omni directional
Transmission Range (LoS)	700 m (Typical)
Certification	CE/FCC, FCC ID
Max. Slaves in a ZigBee Network	255
Protocols	Supports DCON and Modbus RTU Protocols
Hot Swap	Rotary and DIP switch
LED Indicators	
Power	1 LED, Red
ZigBee Communication	1 LED, Green
Digital Input and Output	6 Green LEDs for Digital Input 4 Red LEDs for Relay Output
Isolation	
Intra-module Isolated, Field-to-Logic	2500 Vdc
EMS Protection	
ESD (IEC 61000-4-2)	4 kV Contact for Power Line, Communication Line and each Channel, 8 kV Air for Random Point
EFT (IEC 61000-4-4)	4 kV for Power Line
Power	
Input Voltage Range	+10 Vdc ~ +30 Vdc
Power Consumption	1.4 W Max.
Mechanical	
Flammability	Fire Retardant Materials (UL94-V0 Level)
Dimensions (W x L x H)	33mm x 94 mm x 110 mm
Installation	DIN-Rail
Environment	
Operating Temperature	-25 ~ +75°C
Storage Temperature	-30 ~ +80°C
Relative Humidity	10 ~ 90% RH, Non-condensing

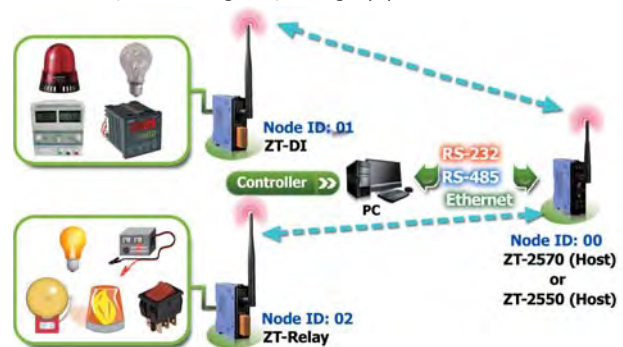
Features

- ISM 2.4 GHz Operating Frequency
- Fully Compliant with 2.4G IEEE 802.15.4/ZigBee Specifications
- Wireless Transmission Range up to 700 m
- GUI Configuration Software (Windows Version)
- 6 Digital Input Channels and 4 Relay Output Channels
- Supports 16-bit Counters for Digital Input Channels
- Surge and ESD Protection
- DIN-Rail Mountable



Applications

Building Automation, Factory Automation, Machine Automation, Remote Maintenance, Remote Diagnosis, Testing Equipment.



I/O Specifications

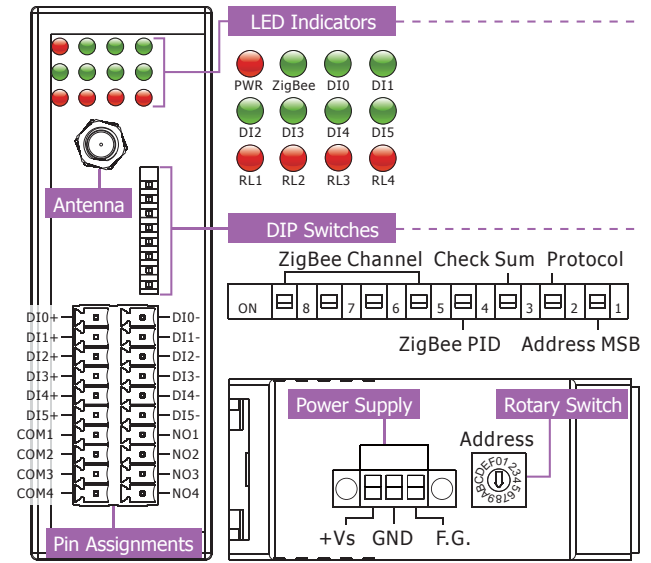
Digital Input		
Input Channels	6	
Input Types	Isolated, Wet Contact (Sink/Source)	
Input Level	On Voltage Level	+3.5 Vdc ~ +30 Vdc
	Off Voltage Level	+1 Vdc Max.
Input Impedance	3 kΩ, 0.33 W	
Counter	Channels	6
	Max. Count	16-bit (65535)
	Max. Input Frequency	100 Hz
	Min. Pulse Width	5 ms
Relay Output		
Output Channels	4	
Output Types	Power Relay, Form A	
Contact Rating	5 A @ (250 VAC/30 VDC)	
Max. Contact Voltage	270 VAC/125 VDC	
Operate Time	10 ms max. at Rated Voltage	
Release Time	5 ms max. at Rated Voltage	
Endurance	Electrical	Resistive Load: 100,000 ops. min. (10 ops/minute)
	Mechanical	At No Load: 20,000,000 ops. min. (300 ops/minute)
Dielectric Strength	Between Contacts	750 VAC for 1 minute
	Between Coil to Contacts	3,000 VAC for 1 minute
Insulation Resistance	5,080 V (1.2/50 μs)	
Surge Strength	5 ms max. at Rated Voltage	
ESD Protection	+/-4 kV contact for each channel	



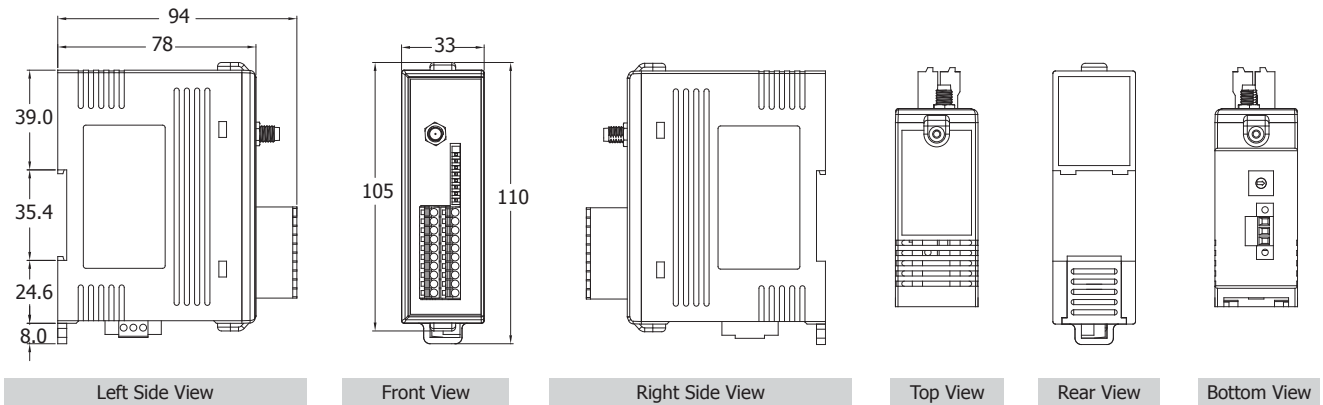
Wiring

Input Type	ON State LED ON Readback as 1	OFF State LED OFF Readback as 0
TTL/ CMOS Logic	Voltage > 3.5V 	Voltage < 1V
Relay Contact	Relay ON 	Relay OFF
Open Collector	Open Collector ON 	Open Collector OFF
Output Type	ON State LED ON Readback as 1	OFF State LED OFF Readback as 0
Relay Contact	Relay ON 	Relay OFF

Appearance



Dimensions (Units: mm)



Ordering Information

ZT-2060 CR	Wireless 6-channel Isolated Digital Input and 4-channel Relay Output Module (RoHS)
Important Note: ZigBee Data Acquisition modules need a ZigBee host converter to coordinate the data transmission route. Please remember to order a ZT-2550 or ZT-2570 ZigBee host converter when you purchase ZigBee Data Acquisition Products.	

Accessories

LP1025D-24S	24 Vdc/1.0 A, 25 W Power Supply with DIN-Rail Mounting, 100-240 VAC INPUT
ZT-2510 CR	ZigBee Repeater (RoHS)
ZT-2550 CR	RS-485/RS-232 to ZigBee Converter (Host)
ZT-2570 CR	Ethernet/RS-485/RS-232 to ZigBee Converter (Host) (RoHS)