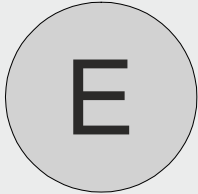




S Series



## S315

4-digit display, loop-powered,  
digital panel indicator

### Installation manual

Contents:	Page
- General characteristics	2
- Installation instructions	4
- Electrical connections	4
- Parameter menu	5
- Types of errors	6
- Menu parameter modification	7
- Parameter configuration example	8
- Position of buttons and terminals	8
- Programming menu diagram	9
- Dimension and size	10
- Disposal	10



## General description

S315 is a measuring instrument with analog current loop input. The displaying, scaling and programming parameters can be set by Menu. The measurement is checked, scaled and displayed on the 4-digit display. S315 provides excellent resolution, high accuracy and temperature stability. The instrument is compact size..

## General characteristics

HW	<ul style="list-style-type: none"><li>✓ Power supply from measure loop.</li><li>✓ Current Input 4-20mA.</li><li>✓ Loop voltage drop Max.: 7.5 V.</li><li>✓ ADC 16bit.</li><li>✓ Measure loop powered (30V Max)</li><li>✓ Easy navigation on the programming menu using the three buttons on the front panel.</li><li>✓ Protection index IP65 (with the provided seal).</li></ul>
SW	<ul style="list-style-type: none"><li>✓ Input parameters and display configuration can be set using the menu.</li><li>✓ Password protected programming menu.</li></ul>

## Specifications

### POWER SUPPLY

From loop

Voltage drop

Max 7.5 V

### ERRORS REFERRED TO THE MAXIMUM MEASUREMENT RANGE FOR INPUT VOLTAGES AND CURRENTS

.Riolution


16 bit, 40000 dots max

Accuracy

0,05%

Thermal coefficient



0,005% /°K

Linearity error	0.05%
Electromagnetics interference	<1%
<b>ENVIRONMENTAL CONDITION:</b>	
Operating temperature	-20..+65°C
Storage temperature	-30..+85° C
Humidity	30..90% non-condensing
Altitude	Up to 2000 m above the sea level
<b>CONNECTION</b>	
Terminal block	2-way removable screw terminals, 5.08 mm pitch
<b>CASING</b>	
Size (L xW x H)	96 x 48 x 40 mm
Weight	200 g
Protection index	IP 65
Case material	Plastic
<b>NORMS / STANDARDS</b>	
Standards 	EN61000-6-4 Electromagnetic emission, industrial environment EN61000-6-2 Electromagnetic immunity, industrial environment EN61010-1 Safety.

## Parameter menu

Parameter	Function	C.O.N.F.	Default value
PASS	Enabling of menu access password	If a value other than 5477 is set, the password (also 5477) will be required to access the menu	5477: Password disabled.
Parameter	Function	S.C.A.L.	Default value
LO-d	Display start scale	Integer values between - 1999 minimum and = 9999 maximum.	0
HI -d	Display full scale	Integer values between - 1999 minimum and = 9999 maximum.	1000
dp-d	Decimal point position	0 = no decimal point 1 = one decimal point 0000.0 2 = two decimal points 00.00	No decimal point
FILT	Filter level	0 = No filter 1....5 = Active	0
OFFS	Offset	Adds an offset Integer values between - 1999 minimum and = 9999 maximum.	0
Parameter	Function	S.Y.S.	Default value
dFLT	Default settings	1 = Overwrite the set parameter with default value and exit from menu.	0
Parameter	Function	E.H.I .t.	Default value
	<u>Exit from menu</u>	By confirming with <b>OK\MENU</b> , all the set parameters will be saved on a flash memory. The module is ready for use with the new setting without the need for restart.	

## Types of error

Display appearance	Error Description and possible causes
	A) The value to be shown is 3% greater than the set HI-d value. B) The value to be shown is greater than 9999
	A) The value to be shown is 3% lower than the set LO-d value. B) The value to be shown is lower than - 1999

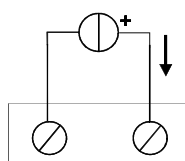
## Installation instructions

The module is designed to be installed in the electrical switchboard. In order to ensure optimum performance and the longest working life, the module(s) must be supplied with adequate ventilation. Do not install the module above heat sources.

## Electrical connections

### CURRENT SUPPLY AND MEASURE

**4-20mA**

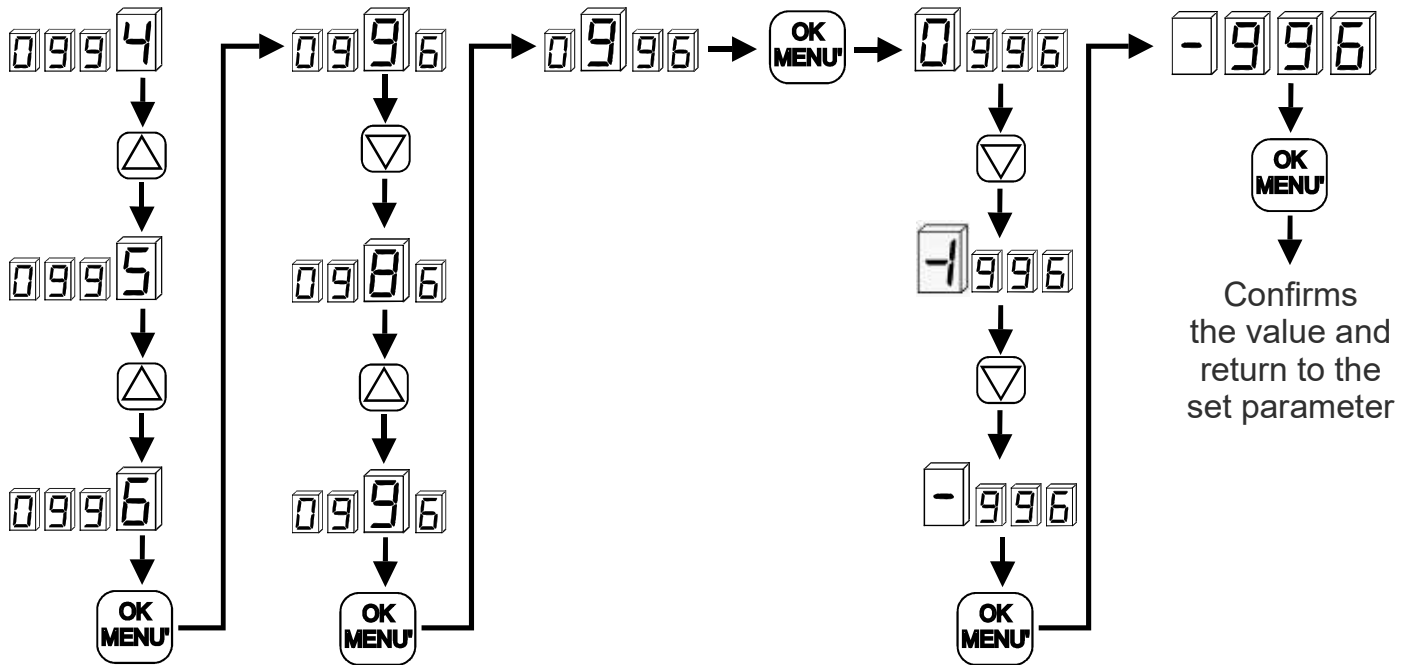


**2 1**  
| |

## Modification of menu parameters

The modification is done digit by digit. The digit to modify flashes: the figure below shows the digit being modified larger than the others.

The diagram shows an example with 4 digits.



- ▲ Increases the value by one unit.      ▼ Decrease the value by one unit.
- OK MENU Confirms the value and moves to the next.  
At the last digit: press once to confirm the value and press again to return to the parameter just set.

### Value setting notes

Negative values: in the last field it is also possible to enter a "-" sign or a value of "-1"

### NOTES:

**ANY VALUES ENTERED OUTSIDE THE RANGE ARE AUTOMATICALLY BROUGHT BACK WITHIN THE RANGE AND THEN DISPLAYED.**

## Example configuration parameters

To set S315 so that it shows the value **11 .11** with 4mA input and the value **99.99** with 20mA, with active filter.

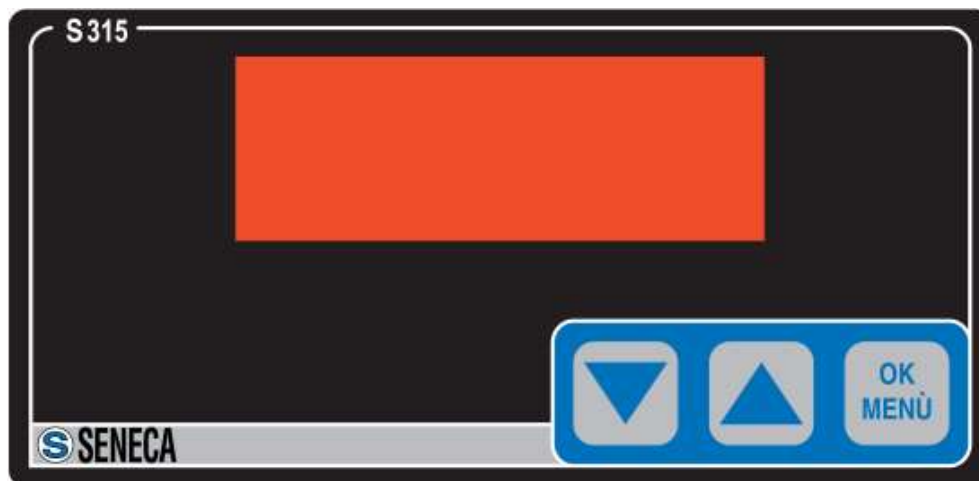
- Access the menu by pressing **DOWN + MENU' /OK** for 3 seconds, until menu **CONF.** appears (If is necessary after entering the password). Press **DOWN** to display the next submenu.
- Access the **SCAL.** menu and set:

```
LD-d= 1111, HL -d= 9999, dP-d= 2,  
Fl LE= 1
```

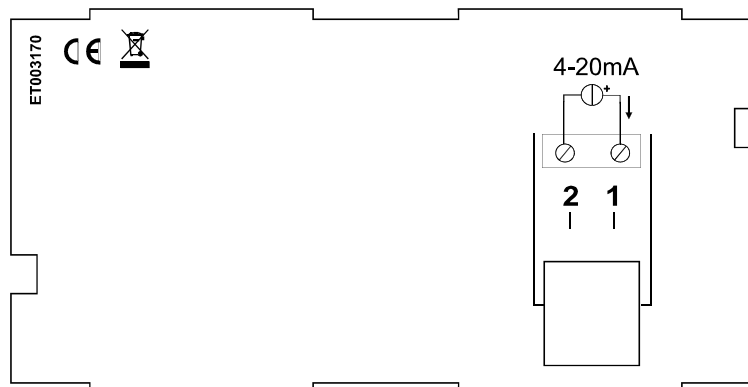
For a complete map of the programming menu see page 9.

## Position buttons and terminals

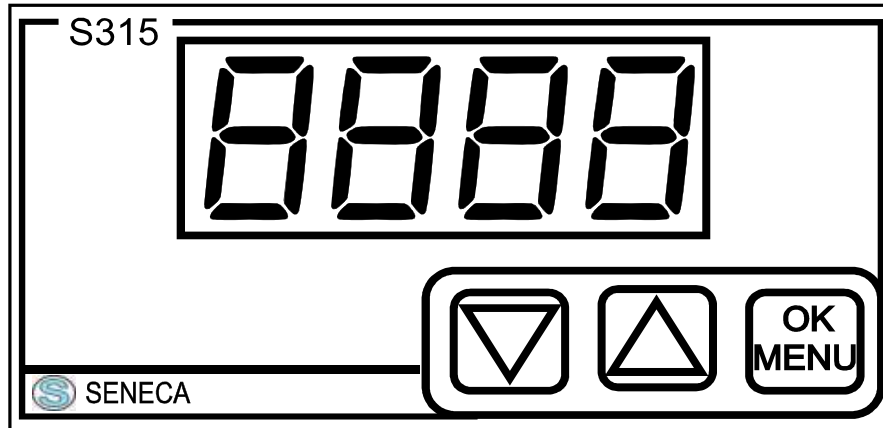
### FRONTAL BUTTONS



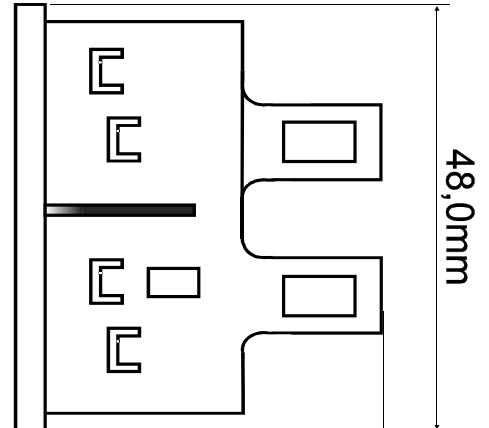
### REAR: REMOVABLE SCREW TERMINALS



## Size and dimension



96,0mm



48,0mm

40,0mm



Disposal of Electrical & Electronic Equipment (Applicable within the European Union and other countries with separate waste collection procedure).

This symbol, found on your product or on its packaging, indicates that this product should not be disposed of as household waste. Instead, it should be handed over to an authorised collection point for the recycling of electrical and electronic equipment. By ensuring that this product is disposed of correctly, you will help prevent potential negative consequences for the environment and human health, in which could otherwise be caused by inappropriate disposal of this product. The recycling of materials will help to conserve natural resources. For more detailed information about the recycling of this product, please contact your local city office, waste disposal service or the retail store where you purchased this product.

This document is property of SENECA srl. Duplication and reproduction are forbidden, unless authorized. The contents of this document refer to the products and technologies described in it. All the technical data contained in this document is subjected to periodical revision and may be modified without prior notice.



**SENECA s.r.l.**

Via Austria, 26 - 35127 - PADOVA - ITALY

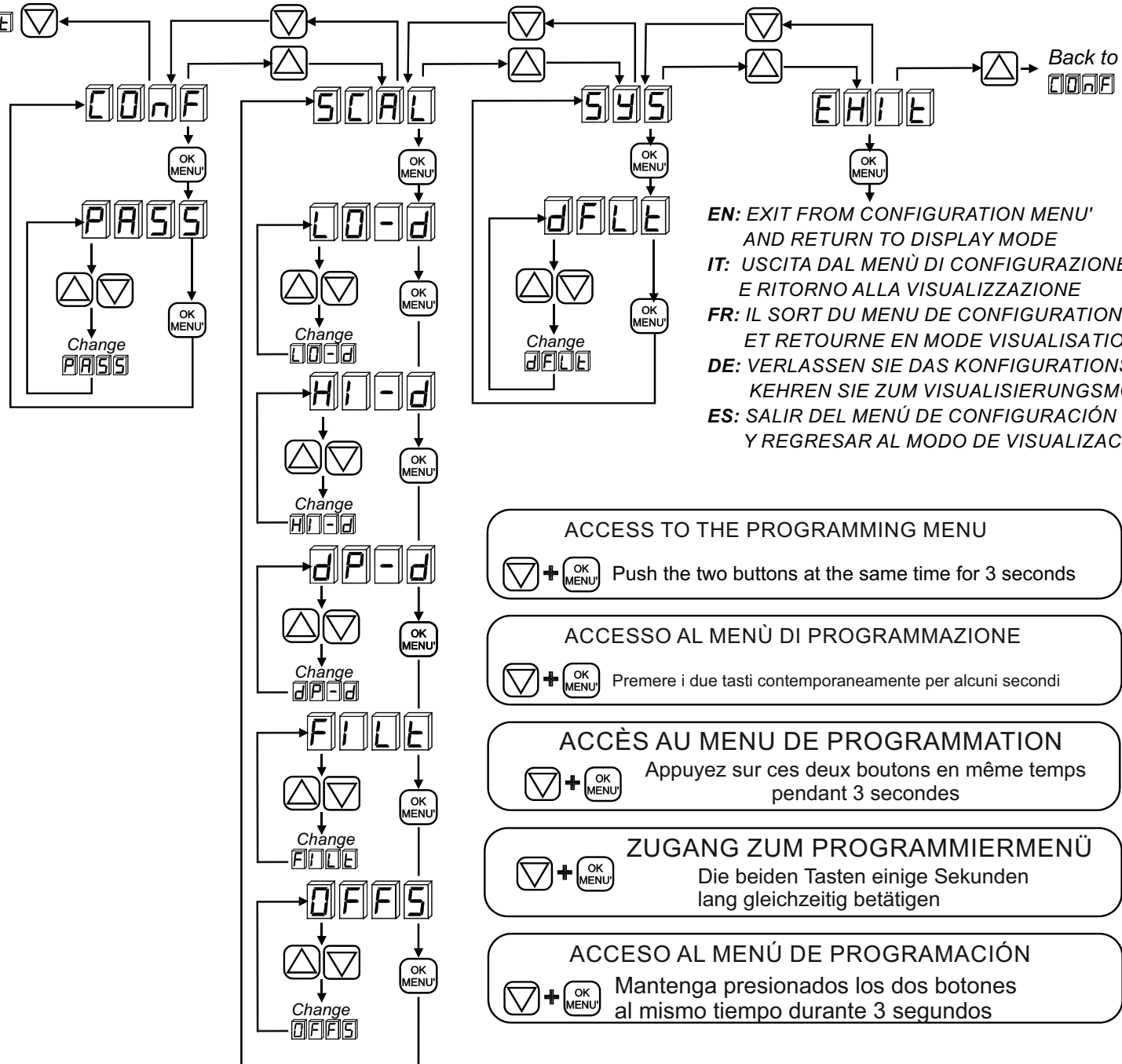
Tel. +39.049.8705355 - 8705359 - Fax +39.049.8706287

e-mail: [info@seneca.it](mailto:info@seneca.it) - [www.seneca.it](http://www.seneca.it)



Back to  
Indietro a  
Retour à  
Zurück zum  
Volver a

Change:  
Cambia  
Changement  
Veränderung  
Cambio



**EN:** EXIT FROM CONFIGURATION MENU' AND RETURN TO DISPLAY MODE  
**IT:** USCITA DAL MENÙ DI CONFIGURAZIONE E RITORNO ALLA VISUALIZZAZIONE  
**FR:** IL SORT DU MENU DE CONFIGURATION ET RETOURNE EN MODE VISUALISATION  
**DE:** VERLASSEN SIE DAS KONFIGURATIONS MENÜ UND KEHREN SIE ZUM VISUALISIERUNGSMODUS ZURÜCK  
**ES:** SALIR DEL MENÙ DE CONFIGURACIÓN Y REGRESAR AL MODO DE VISUALIZACIÓN

ACCESS TO THE PROGRAMMING MENU

+ Push the two buttons at the same time for 3 seconds

ACCESSO AL MENÙ DI PROGRAMMAZIONE

+ Premere i due tasti contemporaneamente per alcuni secondi

ACCÈS AU MENU DE PROGRAMMATION

+ Appuyez sur ces deux boutons en même temps pendant 3 secondes

ZUGANG ZUM PROGRAMMIERMENÜ

+ Die beiden Tasten einige Sekunden lang gleichzeitig betätigen

ACCESO AL MENÙ DE PROGRAMACIÓN

+ Mantenga presionados los dos botones al mismo tiempo durante 3 segundos