

M101Q8-ME

10.1" Qualcomm® Snapdragon™ 660 Healthcare Rugged Android Tablet PC



KEY FEATURES

- Qualcomm® SDA660 Kryo 260 CPU + Octa-core up to 2.2GHz
- 10.1" (1920 x 1200) TFT LCD Display
- 3 GB RAM + 32 GB eMMC
- Integrated NFC Module
- Integrated 1D/2D Barcode Reader (Optional)
- 13 MP Camera in Rear Side (with LED auxiliary light, Auto Focus)
- 8 MP Camera in Front Side
- Housing enhanced with antimicrobial properties
- Lightweight, rugged, IP65 waterproof and dustproof
- Compliance with IEC/EN 60601-1, 60601-1-2



SPECIFICATIONS

| Display | | | |
|--------------------------|--|-------------------------|---|
| Resolution | 1920x1200 | Size | 10.1 inches |
| Contrast Ratio | 800:1 | Panel Brightness | 800 nits |
| View Angles | 85,85,85,85 | Bonding | Optical Bonding for Sunlight Viewability |
| Type | Projected Capacitive Multi Touch | Viewability | Anti-Glare touch treatment |
| Touch Mode | Support Hand / Gloves and Rain Mode | | |
| System Specification | | | |
| Processor | Qualcomm® Snapdragon™ 660 (Octa-Core 2.2 GHz) | Memory | 3GB |
| Storage | 32GB | Operating System | Android 9.0 |
| WLAN | 802.11 a/b/g/n/ac mode | BT | BT Support |
| GNSS | GPS/AGPS | RFID | Default NFC (Read / Write, Peer to Peer mode) |
| Sensors | Ambient Light Sensor, E-Compass, Gyro, Acceleration Sensors, Automatic Screen Rotation | | |
| Camera | | | |
| Front Camera | 8MP Camera | Rear Camera | 13MP Camera with LED Auxiliary Light (Auto Focus) |
| Mechanical | | | |
| Dimension | 271.9 x 197.3 x 19.5 mm | Weight | 1.2 kg (2.65 lbs) with standard battery, 1.4 kg (3.1 lbs) with optional high capacity battery |
| Cooling System | Fanless Design | | |
| IO Ports | | | |
| USB Port | 1 x USB 3.0 Type C OTG 1 x USB 2.0 Type A | SD Card Slot | 1 x Micro SD Card Slot |
| SIM Card Slot | 1 x SIM Card Slot | Video | 1 x Micro HDMI (Optional) |
| Audio | 1 x Audio Combo connector (Mic in or Line Out) 1 x Built-in Mic 2 x Speaker | Indicator | 1 x LED Indicators (Power, Battery) |
| Docking Connector | 1 x Docking Connector | | |
| Environment | | | |

| | | | |
|----------------------------|---------------------------------------|------------------------------|--|
| Operating Humidity | 10% to 90% RH, Non-Condensing | Operating Temperature | 0°C to 35°C (Battery mode) |
| Storage Temperature | -30°C to 70°C | Shock | MIL-STD-810G Method 516.6 Procedure I |
| Vibration | MIL-STD-810G Method 514.6 Procedure I | IP rating | IP65 Certified, Waterproof and Dustproof |
| Drop | MIL-STD-810G Method 516.6, 4 ft | | |

Certification

| | |
|----------------------|---------|
| Certification | CE, FCC |
|----------------------|---------|

Control

| | |
|---------------|--|
| Button | 1 x Volume +/-, 1 x Home Button, 1 x ,Return Button, 1 x Power Button, 1 x Function Button |
|---------------|--|

Power

| | | | |
|---------------------|--|-------------------------------|-------------------|
| Battery | 7.4V, typ. 5140 mAh LiPolymer Battery (2S1P) 7.4V, typ. 10280 mAh LiPolymer Battery (2S2P) (Optional) Warm swappable function (Optional) | Battery Operating Time | 8Hr |
| Power Rating | 19V | Adapter | 19V 3.78A Adapter |

Security Function

| | | | |
|-------------------------|-----------------------------|------------------------|-----------------|
| SOTI MobiControl | SOTI MobiControl Compliance | Kensington Lock | Kensington Lock |
|-------------------------|-----------------------------|------------------------|-----------------|

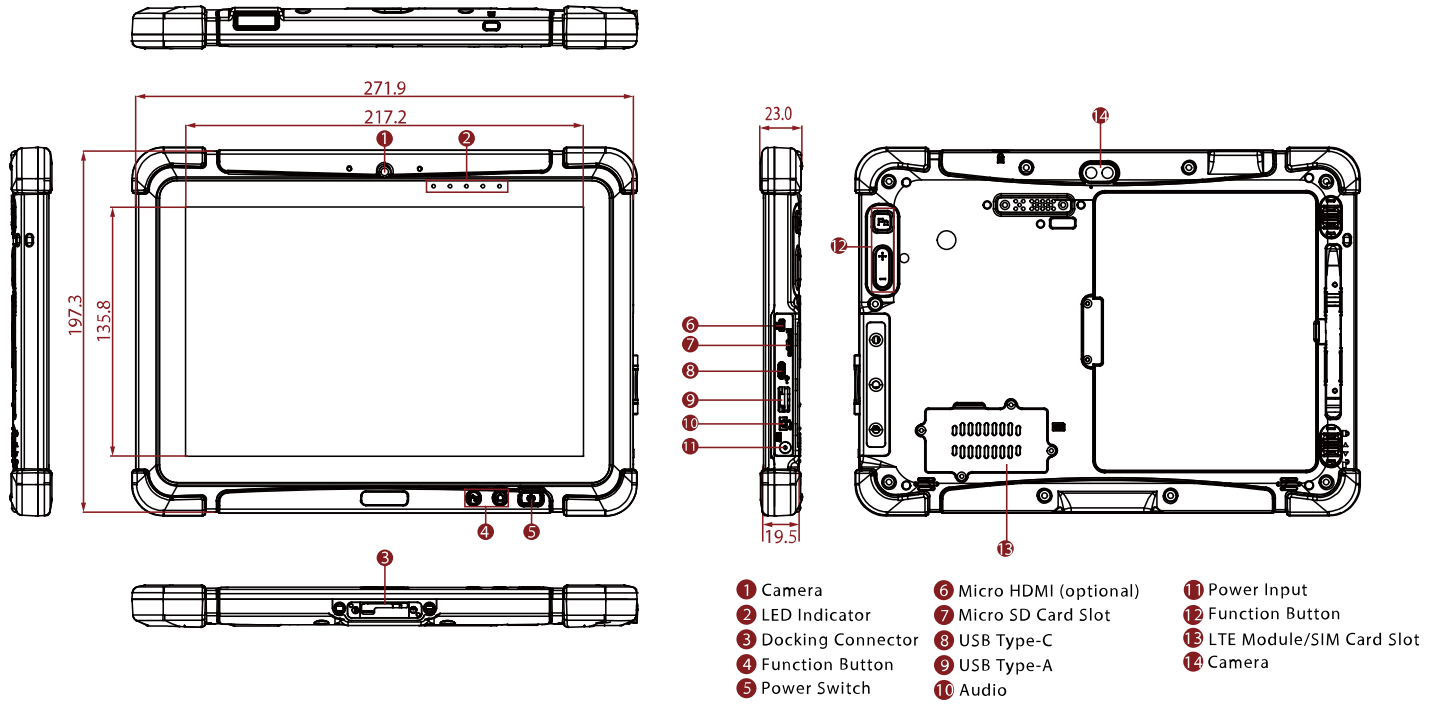
Accessory

| | | | |
|------------------|---|---------------------------|--|
| Accessory | Adapter and Power Cord Standard Battery Capacitive Stylus | Optional Accessory | Desk Dock Vehicle Dock (without VGA output) Vehicle Cradle Battery Charger Hand Strap VESA Mount Kit Shoulder Strap Carry Bag Vehicle Charger Micro SD Card HDMI Adapter |
|------------------|---|---------------------------|--|

Barcode Scanner

| | |
|------------------------|---------------------------------|
| Barcode Scanner | 1D/2D Barcode Reader (Optional) |
|------------------------|---------------------------------|

DIMENSIONS UNIT:MM



NOTE

1. Total usable memory will be less depending upon actual system configuration.
2. The USB Type-C connector follows USB 3.0 standard, which does not support Alternate Mode (ALT) or USB Power Delivery (USB-PD).
3. Length measurements do not include protrusions. Weight varies with optional fuctions.
4. The drop test with high-capacity battery must come with hand strap.
5. Measured at dimming LCD brightness. Varies depending on the usage conditions, or when an external device is attached.
6. Accessories and Integrated Options may vary depending on your configuration.
7. This is a simplified drawing and some components are not marked in detail.