

M133TG

Intel® Core™ i5- 1135G7 Industrial Ultra Rugged Tablet



KEY FEATURES

- 13.3" 1920 x 1080 IPS wide viewing angle LED panel
- Intel® Core™ i5-1135G7 Tiger Lake processor
- Removeable kickstand usable as carrying handle
- Magnesium alloy housing with allaround elastomeric rubber
- IP65 waterproof and dustproof
- Fanless cooling system



SPECIFICATIONS

Display

Resolution	1920x1080	Size	13.3 inches
Contrast Ratio	1000:1	Panel Brightness	500.0 nits
View Angles	89,89,89,89	Type	Projected Capacitive Multi Touch
Bonding	Optical Bonding for Sunlight Viewability		

System Specification

Processor	Intel Core i5-1135G7 2.4GHz (up to 4.2GHz)	Memory	8GB DDR4 SDRAM 16GB DDR4 SDRAM (Optional) 32GB DDR4 SDRAM (Optional)
Storage	256GB M.2 NVMe SSD Additional storage available with micro SDXC card slot 512GB M.2 NVMe SSD (Optional) 1TB M.2 NVMe SSD (Optional) 2TB M.2 NVMe SSD (Optional)	Security	Trusted Platform Module (TPM) 2.0 Kensington Lock
Operating System	Windows 10 IoT Enterprise LTSC (64 bit) Windows 11 IoT Enterprise LTSC (64 bit) (Optional)	WLAN	Support
BT	Support	WWAN	4G LTE (Optional)
GNSS	GPS/GLONASS	RFID	HF RFID reader 13.56 MHz (Optional)

Mechanical

Dimension	338.2 x 239.8 x 33.8 mm	Weight	2.4 Kg (Without Kickstand), 2.5 Kg (With Kickstand)
Cooling System	Fanless Design		

IO Ports

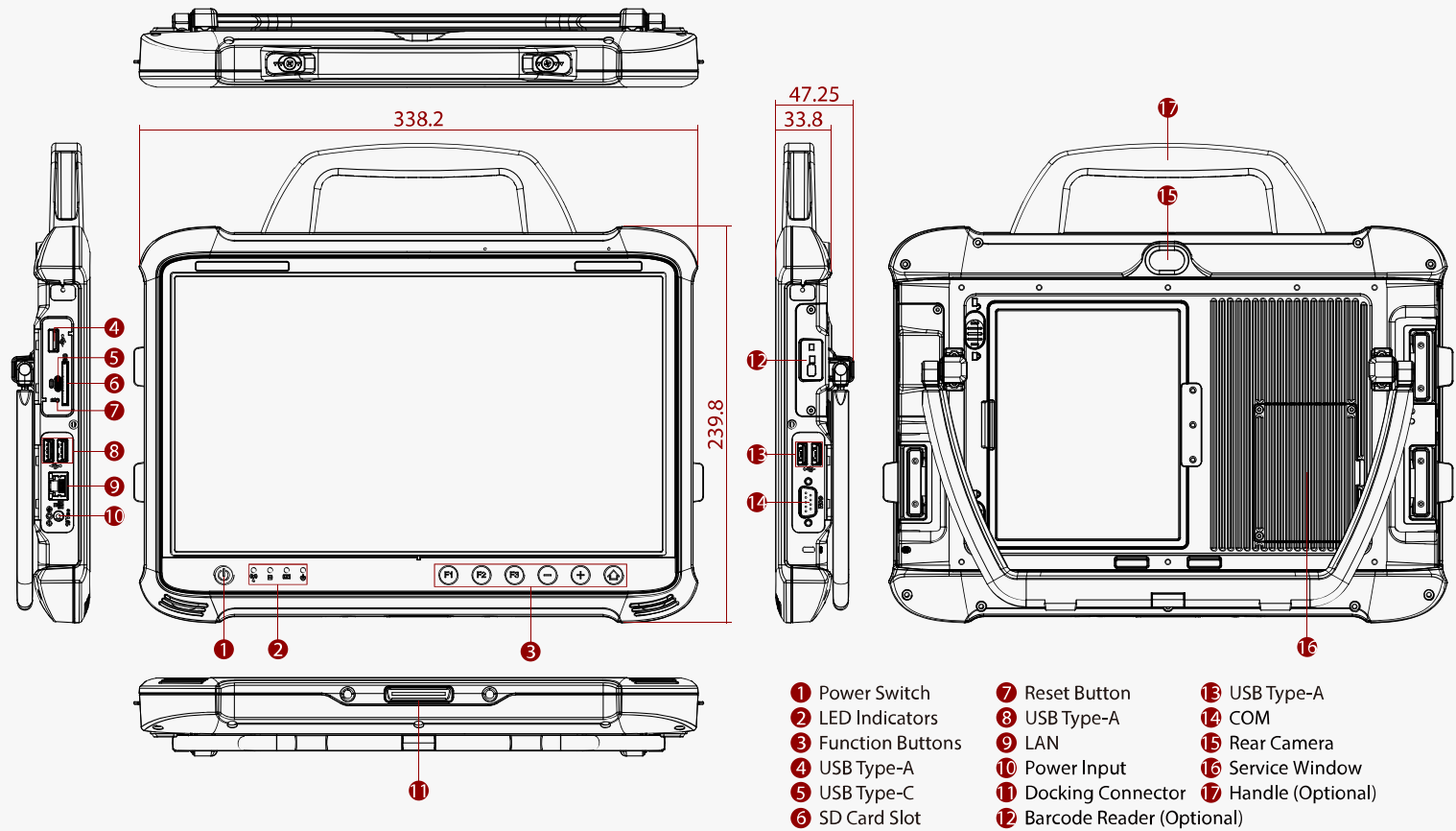
USB Port	3 x USB 3.0 Type A, 2 x USB 2.0 Type A, 1 x USB 3.0 Type C	Serial Port	1 x RS232 (DB9)
SD Card Slot	1 x SDXC Slot	Audio	2 x 1 watt speaker
LAN	1 x RJ45-10/100/1000 Mbps LAN	Indicator	4x LED Indicator for Power, Battery, SSD, RF status
Docking Connector	1 x Docking connector		

Environment

Operating Humidity	30% to 80% RH, non-condensing	Operating Temperature	-10°C to 50°C (14°F to 122°F)
Storage Temperature	-20°C to 60°C (-4°F to 140°F)	Shock	MIL-STD-810G Method 516.6 Procedure I

Vibration	MIL-STD-810G Method 514.6 Procedure I	IP rating	IP65
Drop	MIL-STD-810G Method 516.6, 4 ft	EMC	MIL-STD-461G CE101, CE102, RE101, RE102, CS118 (Default) MIL-STD-461G CS101, CS114, CS115, CS116, RS101, RS103 (Optional)
Certification			
Certification	CE, FCC		
Security Function			
Kensington Lock	Kensington Lock Support		
Control			
Button	1 x Power, 1 x menu, 2 x volume key 3 x Programmable Function Keys		
Camera			
Rear Camera	8MP Rear Camera with auto-focus and LED light		
Power			
Battery	15.4V, typ. 5900 mAh Li-Polymer Battery (4S1P) Hot-Swap (Optional)	Battery Operating Time	More than 10 hours (BAPCo TabletMark v3)
Power Rating	19V DC	Adapter	100-240V, 50-60Hz / 19V DC
Accessory			
Accessory	Adapter and Power Cord Standard Battery Stand with Integrated Handle	Optional Accessory	Vehicle Charger (Optional) Battery Charger (Optional) Desk Docking (Optional) Vehicle Dock (Optional) Stylus (Optional) Shoulder Strap (Optional) Handle (Optional)
Barcode Scanner			

DIMENSIONS UNIT:MM



1. This is a simplified drawing and some components are not marked in detail.
 2. Please contact our sales representative if you need further product information.
 3. All specifications are subject to change without prior notice.