

# R15L100-SPC3

## 15" IP65 Stainless PCAP Chassis Display



### KEY FEATURES

- 15", 1024x768
- Support VESA / YOKE mount
- Chassis
- Stainless housing SUS 316 / AISI 316
- Full IP65 waterproof and dustproof
- Optical bonding (optional)



### SPECIFICATIONS

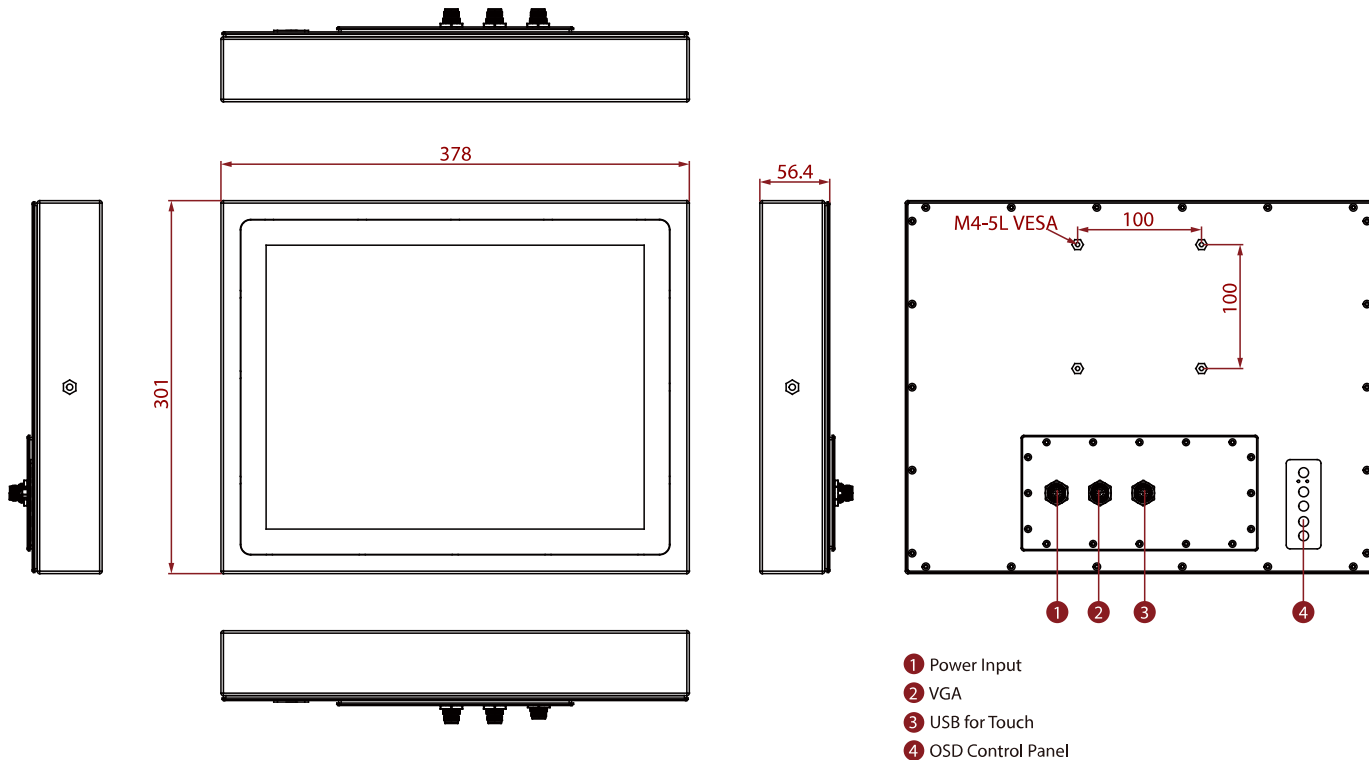
Display			
<b>Resolution</b>	1024x768	<b>Size</b>	15.0 inches
<b>Contrast Ratio</b>	2000:1	<b>Panel Brightness</b>	300.0 nits
<b>Display Color</b>	16.2M Colors	<b>View Angles</b>	88,88,88,88
<b>Active Area</b>	304.1x228.1 mm	<b>Touch / Glass</b>	Projected Capacitive Multi Touch Screen
Mechanical			
<b>Dimension</b>	378 x 301 x 56.4 mm	<b>Weight</b>	6.3Kg
<b>Mounting</b>	VESA Mount Yoke Mount	<b>Enclosure</b>	Stainless Housing
<b>Cooling System</b>	Fanless design		
Environment			
<b>Operating Humidity</b>	10% to 90% RH, Non-Condensing	<b>Operating Temperature</b>	0°C to 45°C
<b>Storage Temperature</b>	-20°C to 60°C	<b>IP rating</b>	IP65
Certification			
<b>Certification</b>	CE, FCC		
IO Ports			
<b>USB Port</b>	1 x M12 waterproof connector for touch screen control	<b>Video</b>	1x M12 type connector for VGA input 1x waterproof connector for DVI input (Optional) 1x waterproof connector for HDMI input (Optional)
<b>Indicator</b>	1 x LED Indicator for power 1 x LED Indicator for status		
Control			
<b>Button</b>	1 x Power Button 1 x Adjust up button 1 x Adjust down button 1 x ESC (Auto) button 1 x OK (Menu) button		
Accessory			
<b>Accessory</b>	100~240V AC to DC Adapter with waterproof connector Power Cord External USB cable with waterproof connector for touchscreen control	<b>Optional Accessory</b>	External HDMI cable with waterproof connector (Optional) External DVI cable with waterproof connector (Optional)

External VGA cable with waterproof connector  
 Waterproof caps  
 Manual  
 VESA screws

**Power**

**Power Rating** 12V DC (M12 type)

**DIMENSIONS** UNIT:MM



- ① Power Input
- ② VGA
- ③ USB for Touch
- ④ OSD Control Panel

**NOTE**

1. This is a simplified drawing and some components are not marked in detail.
2. Please contact our sales representative if you need further product information.
3. All specifications are subject to change without prior notice.
4. The product shown in this datasheet is a standard model. For diagrams that contain customized or optional I/O, please contact the Winmate Sales Team for more information.