



**PRODUCT SOLUTION GUIDE  
BY LOGICBUS**



---

# Industrial Monitor

With the stylish design and extra- small foot, print, it creates more work space and pleasantness on the desk. It brilliantly presents crystal-clear images and text. Slim design, light weight and fast response time flat display monitor which support various manufacture standards as well as multitude of applications.

**LBCH843405**  
**2560 x 1080**

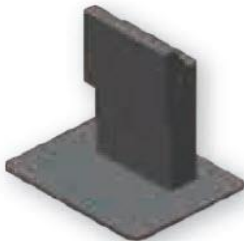


**LBCH842656**  
**1920 x 1920**



**A rugged stand for your monitor**

**LBST8401**



**LBST8403**



**LBST8405**



**LBST8409**



- Aluminum die-casting design
  - Tilt to flat 3° ~ 79°
  - VESA 75 x 75 mm, 100 x 100 mm supported
  - Cable management
  - Power adapter management
-

SPECIFICATIONS

MONITORES INDUSTRIALES

Tamaño	Modelo	Área activa	Resolución	Contraste	Tiempo de respuesta	Angulo de visión	Consumo de energía
<b>4:3 Pantalla cuadrada</b>							
10.4"	LBL841043-2N35C0-RT	211.2(H) X 158.4 (V) mm	800 (H) x 600 (V)	350 cd/m <sup>2</sup> /400:1	≤35 ms	(H) 140° (V) 120°	20 W
10.4"	LBL841043-XN40C0-RT	211.2 (H) X 158.4 (V)mm	1024(H) X 768(V)	/m <sup>2</sup> /500:1	≤35 ms	(H) 140° (V) 120°	20 W
12.1"	LBL841203-XN18C0-RT	245.8(H) X 184.3(V)mm	1024(H) X 768(V)	180cd/m <sup>2</sup> /550:1	≤16 ms	(H)90° (V)65°	20 W
12.1"	LBL841203-XN40C0-RT	245.8(H) X 228.10(V)mm	1024(H) X 768(V)	400cd/m <sup>2</sup> /700:1	≤16 ms	(H)90° (V)65°	20 W
15"	LBL841585-XN25C0-RT	304.13(H) X 228.10(V)mm	1024(H) X 768(V)	250cd/m <sup>2</sup> /600:1	≤12 ms	(H)130° (V)100°	20 W
15"	LBL841585-XN40C0-RT	304.13(H) X 228.10(V)mm	1024(H) X 768(V)	400cd/m <sup>2</sup> /800:1	≤12 ms	(H)130° (V)100°	20 W
17"	LBL841783-EN30C0-RT	337.92(H) X 270.34(V)mm	1280(H) X 1024(V)	300cd/m <sup>2</sup> /800:1	≤5 ms	(H)160° (V)160°	30 W
17"	LBL841785-EN30C0-RT	337.92(H) X 270.34(V)mm	1280(H) X 1024(V)	300cd/m <sup>2</sup> /800:1	≤5 ms	(H)160° (V)160°	30 W
19"	LBL841983-EN30C0-RT	376.3(H) X 301.1(V)mm	1280(H) X 1024(V)	300cd/m <sup>2</sup> /800:1	≤5 ms	(H)160° (V)160°	32 W
19"	LBL841985-EN30C0-RT	376.3(H) X 301.1(V)mm	1280(H) X 1024(V)	300cd/m <sup>2</sup> /800:2	≤5 ms	(H)160° (V)160°	32 W
<b>16:9 Pantalla Ancha</b>							
10.1"	LBL841016-WE20L0-RT	216.96(H) X 135.6(V)mm	1280(H) X 800(V)	200cd/m <sup>2</sup> /500:1	≤16 ms	(H)130° (V)110°	8.25 W
10.1"	LBL841016-WU35L0-RT	216.96(H) X 135.6(V)mm	1920(H) X 1200(V)	350cd/m <sup>2</sup> /600:1	≤25 ms	(H)160° (V)160°	8.75 W
15.6"	LBL841563-WX25L0-PCT	344.23(H) X 193.54(V)mm	1366(H) X 768(V)	250cd/m <sup>2</sup> /1000:1	≤8 ms	(H)90° (V)65°	15 W
15.6"	LBL841565-WX25C0-PCT	344.23(H) X 193.54(V)mm	1366(H) X 768(V)	250cd/m <sup>2</sup> /1000:2	≤8 ms	(H)90° (V)65°	15 W
17"	LBL8417W3-WP40C0-RT	367.2(H) X 229.5(V)mm	1440(H) X 900(V)	400cd/m <sup>2</sup> /600:1	≤12 ms	(H)140° (V)120°	18 W
17"	LBL8417W5-WP40C0-RT	367.2(H) X 229.5(V)mm	1440(H) X 900(V)	400cd/m <sup>2</sup> /600:1	≤12 ms	(H)140° (V)120°	18 W
18.5"	LBL841855-WX30C0-RT	409.8(H) X (203.4(V)mm	1366(H) X 768(V)	300cd/m <sup>2</sup> /1000:1	≤5 ms	(H)170° (V)160°	22 W
21"	LBL84215A5-WH25L0-RT	476.64(H) X 268.11(V)mm	1920(H) X 1080(V)	250cd/m <sup>2</sup> /1000:1	≤5 ms	(H)170° (V)160°	26.25 W
24"	LBL84241A3-WU30L0-RT	518.4(H) X 324.0(V)mm	1920(H) X 1200(V)	300cd/m <sup>2</sup> /1000:1	≤14 ms	(H)178° (V)178°	40 W



---

# Touch Solutions



The stable removable base is engineered for the physical demands of everyday touch screen use. User friendly controls for easy adjustments. Now you can operate keyboard and mouse free, use your fingers and feel the power under your fingers. Suitable for POS display, information board, industrial field, medical and transportation applications.

**LBZPM84104A**



**LBZPM84150A**

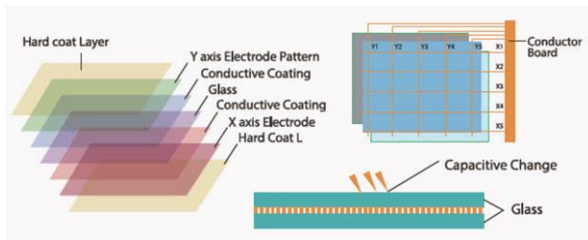


**PTC Touch**

Capacitive touch is based on static electricity inducing capacitive voltage. Capacitive touch contains two ITO layers, hard coat layers and two sensing arrays (X & Y). As X arrays exist on different layers. When electrical is induced on one of the arrays through the drive line then the other array and the circuitry will detect the values of capacitance. The controller sends electrical currents to the drive lines on different layers to create a specific node. When a finger touches the panel after that controller will catch the value of capacitance between nodes and drive line to point out exactly location.

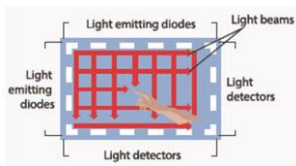
- Long Life
- Excellent Optical Properties
- Multi-Touch
- Ease to Integrate

Now, the 10-point multi-touch PCT for 10.1", 13.3", 15.6", 18.5", 19", 21.5", 23", & 24" sizes are coming soon.



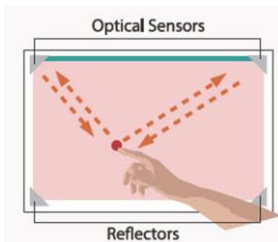
**Infrared Touch**

Infrared technology used on touch panels consists of rows of LEDs and transistors on each edge of the touch frame. Each light-emitting diode creates a light detector. These light beams become an IR light grid. When IR light beams are interrupted on any location, the controller will calculate X distance and Y distance and then send the exact position to the computer.



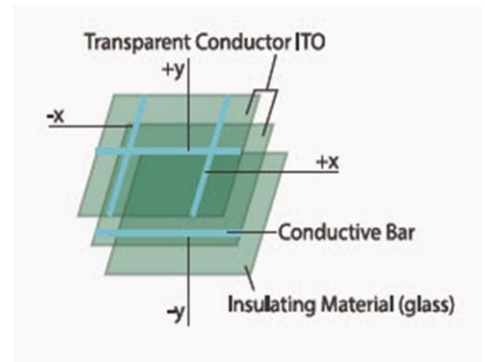
**Optical Touch**

Optical touch panels consist of two optical sensors with two reflectors and a light source (LEDs). When an object interrupts the infrared light, the two optical sensors will induce any movement of the object on the screen. The controller can calculate X and Y and then send the exact position to the computer.



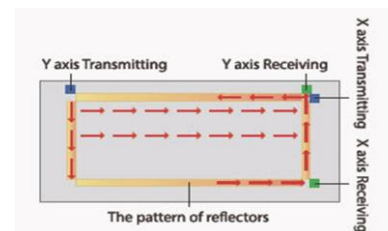
**Analog Resistive Touch**

Resistive technology is suitable for a variety of applications and environments. A resistive touch panel consists of two transparent resistive ITO layers (conductive and resistive layers) consisting of a sensor.



**SAW Touch**




Surface Acoustic Wave (SAW) technology uses acoustic waves traveling over the surface. It contains substrate material, 4 transducers, an array of reflectors, and is attached to the beveled edge of the glass for X and Y axes (2 for transmitting and 2 for receiving). Each of the transmitting transducers (X and Y) is located at the horizontal and vertical edges. Each of the receiving transducers (X and Y) is located at the opposite edges. When the user touches the screen, some of the energy is absorbed after transmitting through X and Y, which will be detected by the receiving transducers of X and Y.





# Metal Housing

Full range industrial Monitor fit for different applications

<p><b>Stainless Enclosure</b></p>  <p>With its stainless housing, fit for those application need shine and brilliant outlook.</p>	<p><b>Open Frame</b></p>  <p>Open Frame solution that fit your specific application</p>	<p><b>Chassis LCD</b></p>  <p>LCD monitor in metal housing, give the options for custom designed look</p>	<p><b>Chassis Mount</b></p>  <p>Offer you convenient way to install Open Frame display</p>
<p><b>Panel Mount</b></p>  <p>Panel Mount series is designed for harsh easy installation.</p>	<p><b>Rack Mount</b></p>  <p>Fit to the standard 19" Rack Mount with the extra added handle bars.</p>	<p><b>Flush Mount</b></p>  <p>Flush Mounting solution allow you easily install the monitor.</p>	<p><b>Water Resistant IP65 Front</b></p>  <p>Protect the LCD monitor against dust and water at the front side</p>
<p><b>Water Resistant Full IP66</b></p>  <p>With full IP66 stainless enclosure design, this series monitor fit perfectly for outdoor application</p>	<p><b>Water Resistant Full IP67</b></p>  <p>IP67 water resistant could withstand temporary immersion, marking it a perfect solution for water proof application.</p>	<p><b>Zero Bezel</b></p>  <p>Ture Flat Chassis with Saw Touch.</p>	<p><b>Stretched Display</b></p>  <p>Stretched display series is perfectly fit to the special aspect ratio display.</p>
<p><b>Display Wall</b></p>  <p>A cost efficient solution to combine multiple displays into one image.</p>			

## CARCASA DE METAL

16:9 PANTALLA ANCHA							
Tamaño	Modelo	Área activa	Resolución	Contraste	Tiempo de respuesta	Angulo de visión	Consumo de energía
5.7"	LB840576-VN40L0	115.2(H) X 86.4(V)mm	640(H) X 480(V)	400cd/m <sup>2</sup> /800:1	≤25 ms	(H)160° (V)140°	8.25 W
6.5"	LB840656-VN40L0	132.48(H) X 99.36(H)mm	640(H) X 480(V)	400cd/m <sup>2</sup> /500:1	≤25 ms	(H)160° (V)120°	9.875 W
8.4"	LB840846-SN35L0	170.4(H) X 128.8(V)mm	800(H) X 600(V)	350cd/m <sup>2</sup> /400:1	≤35 ms	(H)140 (V)120°	8.68 W
9.7"	LB840975-XN35L0	196.608(H) X 147.456(V)mm	1024(H) X 768(V)	350cd/m <sup>2</sup> /500:1	≤35 ms	(H)140 (V)120°	8.3 W
10.4"	LB841045-XN40L0	210.4(H) X 157.8(V)mm	1024(H) X 768(V)	400cd/m <sup>2</sup> /1200:1	≤35 ms	(H)176° (V)176°	9.375 W
12.1"	LB841205-SN25L0	246.0(H) X 184.5(V)mm	800(H) X 600(V)	250cd/m <sup>2</sup> /600:1	≤35 ms	(H)140° (V)120°	21.9 W
12.1"	LB841205-XN35L0	245.76(H) X 184.32(V)mm	1024(H) X 768(V)	350cd/m <sup>2</sup> /700:1	≤20 ms	(H)160° (V)160°	23.75 W
15"	LB841505-XN25L0	304.13(H) X 228.10(V)mm	1024(H) X 768(V)	250cd/m <sup>2</sup> /500:1	≤12 ms	(H)130° (V)100°	20 W
17"	LB841705-EN25L0	337.92(H) X 270.34(V)mm	1280(H) X 1024(V)	250cd/m <sup>2</sup> /800:1	≤5 ms	(H)160° (V)160°	32.5 W
19"	LB841905-EN25L0	376.3(H) X 301.1(V)mm	1280(H) X 1024(V)	250cd/m <sup>2</sup> /800:1	≤5 ms	(H)160° (V)160°	32.5 W
20.1"	LB842005-UN40L0	408(H) X 306(V)mm	1600(H) X 1200(V)	400cd/m <sup>2</sup> /800:1	≤8 ms	(H)160° (V)160°	40 W
21.3"	LB842135-QX80L0	433.152(H) X 324.864(V)mm	2048(H) X 1536(V)	800cd/m <sup>2</sup> /1200:1	≤25 ms	(H)178° (V)178°	111.25 W
23.1"	LB842316-UN40L0	470.4(H) X 352.8(V)mm	1600(H) X 1200(V)	400cd/m <sup>2</sup> /600:1	≤8 ms	(H)160° (V)160°	117.5 W
26"	LB842625-SQ30L2	491.8(H) X 491.8(H)mm	1920(H) X 1920(V)	400cd/m <sup>2</sup> /600:1	≤8 ms	(H)178° (V)178°	130.5 W
16:9 PANTALLA ANCHA							
7"	LB840706-WV40L0	152.40(H) X 91.44(V)mm	800(H) X 480(v)	400cd/m <sup>2</sup> /300:1	≤16 ms	(H)120° (V)100°	9.625 W
10.1"	LB841016-WS20L0	222.72(H) X 152.28(V)mm	1024(H) X 600(V)	200cd/m <sup>2</sup> /650:1	≤10 ms	(H)90° (V)65°	8.75 W
10.1"	LB841016-WE20L0	216.96(H) X 135.6(V)mm	1280(H) X 800(V)	200cd/m <sup>2</sup> /500:1	≤16 ms	(H)130° (V)110°	8.75 W
10.1"	LB841016-WX20L0	222.72(H) X 125.28(V)mm	1366(H) X 768(V)	200cd/m <sup>2</sup> /500:1	≤16 ms	(H)90° (V)5°	8.25 W
10.1"	1016-WU35L0	216.81(H) X 135.5(V)mm	1920(H) X 1200(V)	350cd/m <sup>2</sup> /600:1	≤25 ms	(H)160° (V)160°	8.75 W
12.1"	LB8412W5-WE35L0	261.12(H) X 163.20(V)mm	1280(H) X 800(V)	350cd/m <sup>2</sup> /350:1	≤15 ms	(H)130° (V)115°	10 W
15.4"	LB841545-WEA0L0	331.2(H) X 207.0(V)mm	1280(H) X 800(V)	1000cd/m <sup>2</sup> /400:1	≤16 ms	(H)90 (V)65°	17 W
15.6"	LB841565-WX20L0	344.232(H) X 193.536(V)mm	1366(H) X 768(V)	200cd/m <sup>2</sup> /500:1	≤8 ms	(H)90 (V)50°	15 W
17"	LB8417W5-WPA0L0	367.2(H) X 229.5(V)mm	1440(H) X 900(V)	1000cd/m <sup>2</sup> /800:1	≤8 ms	(H)130° (V)100°	11 W
17.3"	LB841735-WH30L0	381.888(H) X 217.812(V)mm	1920(H) X 1080(V)	300cd/m <sup>2</sup> /500:1	≤8 ms	(H)90° (V)50°	15 W
18.5"	LB841855-WX25L0	409.8(H) X 230.4(V)mm	1366(H) X 768(V)	250cd/m <sup>2</sup> /1000:1	≤5 ms	(H)170° (V)160°	22 W
19"	LB8419W5-WP25L0	408.24(H) X 255.15(V)mm	1440(H) X 900(V)	250cd/m <sup>2</sup> /1000:1	≤5 ms	(H)170° (V)160°	30 W
21.5"	LB842155-WH25L0	476.64(H) X 268.11(V)mm	1920(H) X 1080(V)	250cd/m <sup>2</sup> /1000:1	≤5 ms	(H)170° (V)160°	26 W
22"	LB842205-WM25L0	473.8(H) X 296.1(V)mm	1680(H) X 1050(V)	300cd/m <sup>2</sup> /1000:1	≤5 ms	(H)170° (V)160°	36 W
24"	LB842405-WH25L0	531.36(H) X 298.89(H)mm	1920(H) X 1080(V)	250cd/m <sup>2</sup> /1000:1	≤2 ms	(H)170° (V)160°	50 W
24"	LB842415-WU30L0	518.4(H) X 324.0(V)mm	1920(H) X 1200(V)	300cd/m <sup>2</sup> /1000:1	≤6 ms	(H)178° (V)178°	85 w

27"	LB842705-WH30L0	597.89(H) X 336.31(V)mm	1920(H) X 1200(V)	300cd/m <sup>2</sup> /1000:1	≤3.4 ms	(H)178° (V)178°	35 W
27"	LB842705-QD35L0	596.74(H) X 335.66(V)mm	2560(H) X 1440(V)	250cd/m <sup>2</sup> /1000:1	≤5.5 ms	(H)178° (V)178°	100.5 W
32"	LB843205-WX35L0	697.69(H) X 392.26(V)mm	1920(H) X 1080(V)	350cd/m <sup>2</sup> /2000:1	≤6 ms	(H)178° (V)178°	130 W
32"	LB843205-QD35L0	698.4(H) X 392.9(V)mm	2560(H) X 1440(V)	350cd/m <sup>2</sup> /3000:1	≤6 ms	(H)178° (V)178°	145 W
34"	LB843405-WF30L2	820.8(H) X 361.0(V)mm	2560(H) X 1080(V)	300cd/m <sup>2</sup> /3000:1	≤6 ms	(H)178° (V)178°	175 W
42"	LB844204-WH35L0	930.24(H) X 523.26(V)mm	1920(H) X 1080(V)	350cd/m <sup>2</sup> /3000:1	≤8 ms	(H)178° (V)178°	202 W
46"	LB844604-WH35L0	1018.08(H) X 572.67(V)mm	1920(H) X 1080(V)	350cd/m <sup>2</sup> /3000:1	≤8 ms	(H)178° (V)178°	190 W
50"	LB845004-WH35L0	1101.8(H) X 622.4(V)mm	1920(H) X 1080(V)	350cd/m <sup>2</sup> /3000:1	≤8 ms	(H)178° (V)178°	280 W
55"	LB845504-WH35L0	1209.6(H) X 680.4(V)mm	1920(H) X 1080(V)	350cd/m <sup>2</sup> /3000:1	≤8 ms	(H)178° (V)178°	400 W
65"	LB846504-WH35L0	1428.48(H) X 803.52(V)mm	1920(H) X 1080(V)	350cd/m <sup>2</sup> /3000:1	≤8 ms	(H)178° (V)178°	630 W





---

# Medical



Logicbus provides to meet the rising demands for large-sized viewing and ultra-high definition, 27/32/42/55/65/75/85 inch LCD monitor 4K2K pixel resolution should attractive from video / graphics professionals.

The 4k2k monitor also benefits from a wide 178 degree viewing angle, the monitor are compatible with HDMI specifications, allowing for single cable PC connection. Each color is performed the finest precision, rich and liveliest colors in every detail

## **MEDICAL DISPLAY**

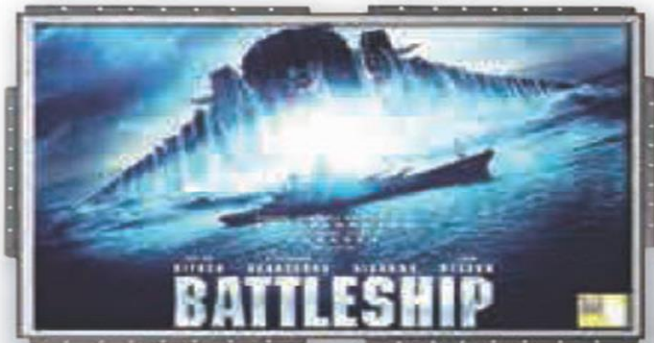
4K2K ultra resolution (3840x2160) for medical application 27", 32" ... models available.



**SPECIFICATIONS**

MEDICO							
Tamaño	Modelo	Área activa	Resolución	Contraste	Tiempo de respuesta	Angulo de visión	Consumo de energía
16:9 Pantalla Ancha							
27"	LB842705-QD35L0	596.74(H) X 335.66(V)mm	2560(H) X 1440(V)	350cd/m <sup>2</sup> /1000:1	≤6 ms	(H)178° (V)178°	42.5 W
32"	LB843205-QD35L0	698.4(H) X 392.9(V)mm	2560(H) X 1440(V)	350cd/m <sup>2</sup> /3000:1	≤6 ms	(H)178° (V)178°	73.5 W
32"	LB843205-QF30L0	698.4(H) X 392.85(V)mm	3840(H) X 2160(V)	300cd/m <sup>2</sup> /3000:1	≤9.5 ms	(H)178° (V)178°	73.5 W
42"	LB844204-QF35L0	919.29(H) X 517.104(V)mm	3840(H) X 2160(V)	350cd/m <sup>2</sup> /5000:1	≤9.5 ms	(H)178° (V)178°	141.25 W
55"	LB845504-QF35L0	1209.6(H) X 680.4(V)mm	3840(H) X 2160(V)	350cd/m <sup>2</sup> /4000:1	≤6.5 ms	(H)178° (V)178°	160 W
65"	LB846504-QF35L0	1428.48(H) X 803.52(V)mm	3840(H) X 2160(V)	350cd/m <sup>2</sup> /5000:1	≤6.5 ms	(H)176° (V)176°	260 W
75"	LB847504-QF35L0	1650.24(H) X 928.26(V)mm	3840(H) X 2160(V)	350cd/m <sup>2</sup> /4000:1	≤8 ms	(H)178° (V)178°	340 W
85"	LB848504-QF35L0	1904(H) X 1096(V)mm	3840(H) X 2160(V)	350cd/m <sup>2</sup> /1600:1	≤8 ms	(H)178° (V)178°	408 W

**Open Frame**



**Chassis Mount**



**Chassis**



**Panel Mount**



# Stretched Display



Our range of Stretched LCD Monitors is specially cut offering a super display format which offers an innovative and fresh approach to grab the public's attention. These stretched format display products, also known as BAR display, are available in a variety of sizes and aspect ratios, with sunlight readable options, open frame models, making them an ideal solution for digital signage, gaming and wayfinding style applications.

## Open Frame Stretched Display



## Full IP66 Stretched Display





**SPECIFICATIONS**

PANTALLA ESTIRADA							
Tamaño	Modelo	Área activa	Resolución	Contraste	Tiempo de respuesta	Angulo de visión	Consumo de energía
<b>PANTALLA ESTIRADA CHASSIS</b>							
12.3", 1/2 Cut	LBCHX841237-X130C0	291.84(H) X 109.44(V)mm	1280(H) X 480(V)	300cd/m <sup>2</sup> /400:1	≤10 ms	(H)130° (V)110°	20 W
15.1", 1/4 Cut	LBCHX841507-X430L0	376.32(H) X 72.91(V)mm	1280(H) X 248(V)	300cd/m <sup>2</sup> /2000:1	≤8 ms	(H)178° (V)178°	20 W
19", 1/3 Cut	LBCHX841907-X330L0	473.76(H) X 96.44(V)mm	1680(H) X 342(V)	300cd/m <sup>2</sup> /2000:1	≤8 ms	(H)140° (V)120°	30 W
28", 1/3 Cut	LBCHX842807-X360L0	698.3(H) X 130.9(V)mm	1920(H) X 358(V)	600cd/m <sup>2</sup> /2000:1	≤8 ms	(H)178° (V)178°	30 W
28.5", 1/2 Cut	LBCHX842857-X1A0L0	698.4(H) X 196.42(V)mm	1920(H) X 540(V)	1000cd/m <sup>2</sup> /5000:1	≤9 ms	(H)176° (V)176°	30 W
37.9" 1/2 Cut	LBCHX843807-X150L0	930.24(H) X 243.219(V)mm	1920(H) X 502(V)	500cd/m <sup>2</sup> /1400:1	≤5 ms	(H)178° (V)178°	100 W
38", 1/2 Cut	LBCHX843817-X1A5L0	930.24(H) X 260.66(V)mm	1920(H) X 538(V)	1500cd/m <sup>2</sup> /4000:1	≤8 ms	(H)176° (V)176°	100 W
38", 1/2 Cut	LBCHX843827-X170L0	930.24(H) X 276.16(V)mm	1920(H) X 570(V)	700cd/m <sup>2</sup> /400;1	≤8 ms	(H)178° (V)178°	100 W
49", 1/2 Cut	LBCHX844907-X150L0	1209.6(H) X 340.2(V)mm	1920(H) X 540(V)	500cd/m <sup>2</sup> /3000:1	≤8 ms	(H)178° (V)178°	140 W
<b>MARCO ABIERTO DE LA PANTALLA ESTIRADA</b>							
12.3", 1/2 Cut	LBOFX841237-X130C0	291.84(H) X 109.44(V)mm	1280(H) X 480(V)	300cd/m <sup>2</sup> /400:1	≤10 ms	(H)130° (V)110°	20 W
15.1", 1/4 Cut	LBOFX841507-X430L0	376.32(H) X 72.91(V)mm	1280(H) X 248(V)	300cd/m <sup>2</sup> /2000:1	≤8 ms	(H)178° (V)178°	20 W
19", 1/3 Cut	LBOFX841907-X330L0	473.76(H) X 96.44(V)mm	1680(H) X 342(V)	300cd/m <sup>2</sup> /2000:2	≤8 ms	(H)140° (V)120°	30 W
28", 1/3 Cut	LBOFX842807-X360L0	698.3(H) X 130.9(V)mm	1920(H) X 358(V)	600cd/m <sup>2</sup> /2000:1	≤8 ms	(H)178° (V)178°	30 W
28.5", 1/2 Cut	LBOFX842857-X1A0L0	698.4(H) X 196.42(V)mm	1920(H) X 540(V)	1000cd/m <sup>2</sup> /5000:1	≤9 ms	(H)176° (V)176°	30 W
37.9", 1/2 Cut	LBOFX843807-X150L0	930.24(H) X 243.219(V)mm	1920(H) X 502(V)	500cd/m <sup>2</sup> /1400:1	≤5 ms	(H)178° (V)178°	100 W
38", 1/2 Cut	LBOFX843817-X1A5L0	930.24(H) X 260.66(V)mm	1920(H) X 538(V)	1500cd/m <sup>2</sup> /4000:1	≤8 ms	(H)176° (V)176°	100 W
38", 1/2 Cut	LBOFX843827-X170L0	930.24(H) X 276.16(V)mm	1920(H) X 570(V)	700cd/m <sup>2</sup> /400;1	≤8 ms	(H)178° (V)178°	100 W
49", 1/2 Cut	LBOFX844907-X150L0	1209.6(H) X 340.2(V)mm	1920(H) X 540(V)	500cd/m <sup>2</sup> /3000:1	≤8 ms	(H)178° (V)178°	140 W
<b>FULL IP66 STRETCHED DISPLAY</b>							
12.3", 1/2 Cut	LBFCHX841237-X130C0	291.84(H) X 109.44(V)mm	1280(H) X 480(V)	300cd/m <sup>2</sup> /400:1	≤10 ms	(H)130° (V)110°	20 W
15.1", 1/4 Cut	LBFCHX841507-X430L0	376.32(H) X 72.91(V)mm	1280(H) X 248(V)	300cd/m <sup>2</sup> /2000:1	≤8 ms	(H)178° (V)178°	20 W
19", 1/3 Cut	LBFCHX841907-X330L0	473.76(H) X 96.44(V)mm	1680(H) X 342(V)	300cd/m <sup>2</sup> /2000:2	≤8 ms	(H)140° (V)120°	30 W
28", 1/3 Cut	LBFCHX842807-X360L0	698.3(H) X 130.9(V)mm	1920(H) X 358(V)	600cd/m <sup>2</sup> /2000:1	≤8 ms	(H)178° (V)178°	30 W
28.5", 1/2 Cut	LBFCHX842857-X1A0L0	698.4(H) X 196.42(V)mm	1920(H) X 540(V)	1000cd/m <sup>2</sup> /5000:1	≤9 ms	(H)176° (V)176°	30 W
37.9", 1/2 Cut	LBFCHX843807-X150L0	930.24(H) X 243.219(V)mm	1920(H) X 502(V)	500cd/m <sup>2</sup> /1400:1	≤5 ms	(H)178° (V)178°	100 W
38", 1/2 Cut	LBFCHX843817-X1A5L0	930.24(H) X 260.66(V)mm	1920(H) X 538(V)	1500cd/m <sup>2</sup> /4000:1	≤8 ms	(H)176° (V)176°	100 W
38", 1/2 Cut	LBFCHX843827-X170L0	930.24(H) X 276.16(V)mm	1920(H) X 570(V)	700cd/m <sup>2</sup> /400;1	≤8 ms	(H)178° (V)178°	100 W
49", 1/2 Cut	LBFCHX844907-X150L0	1209.6(H) X 340.2(V)mm	1920(H) X 540(V)	500cd/m <sup>2</sup> /3000:1	≤8 ms	(H)178° (V)178°	140 W



# High Brightness

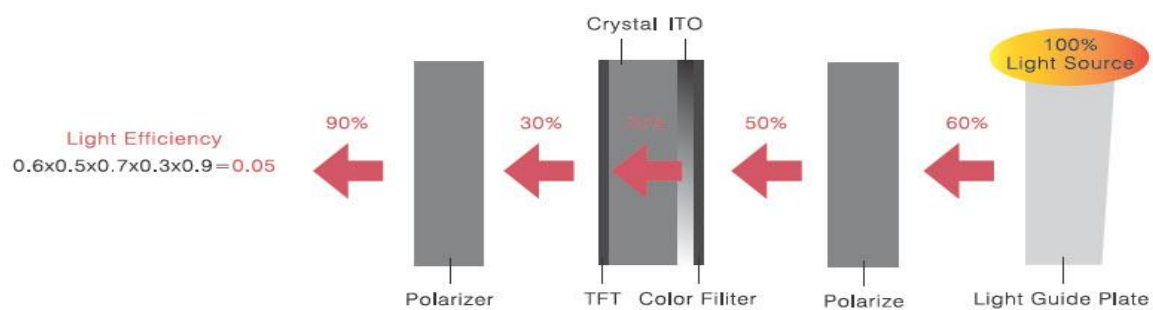


Logicbus has continually been importing a sunlight readable LCD Display solution. The company offers a full range of high brightness / sunlight readable LCD display solutions to meet consumer demand. With more and more outdoor LCD Display applications in the marketplace, the readability & sustainability of the LCD panel under direct sunlight is becoming more vital. But there are several obstacles to overcome in order to provide a good LCD display solution under direct sunlight, such as the overheat issue, water-proof issue, readability issue, and the sustainability issue.

## The factors that affect sunlight readability

Sunlight visibility of a display depends on the differences between the lamination (brightness) and the illumination (ambient light shining on the display). Because the TFT LCD display does not emit light, it needs an external light source (backlight). The brightness of an LCD display is much less than the sun, which causes the LCD display to barely be viewable in a bright environment, especially under direct sunlight.

## Light efficiency in each layer

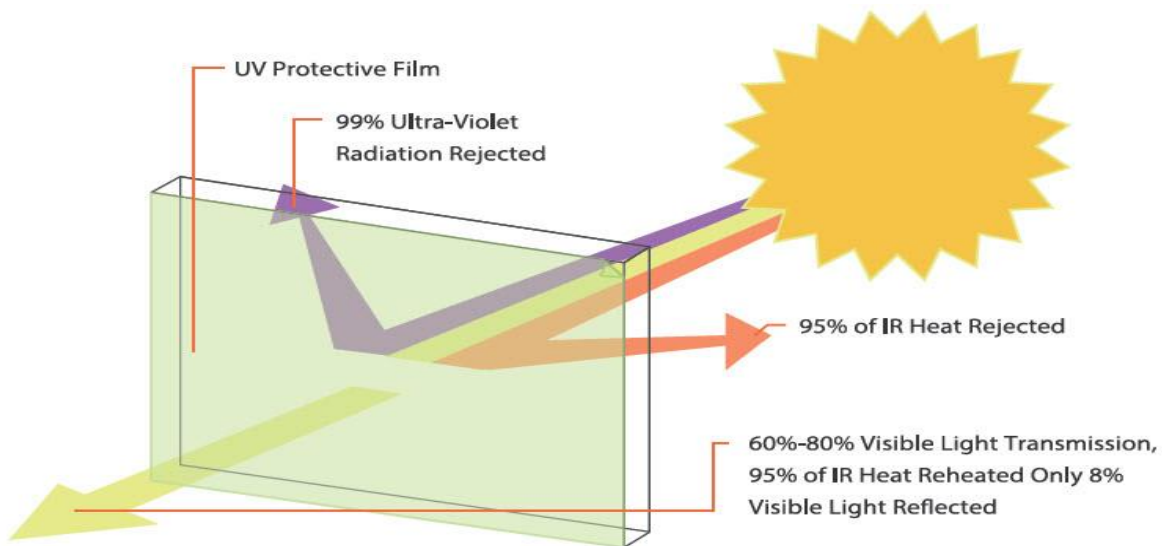


# Sunlight Readable



**1** High brightness LCD display monitors luminance up to 1500 nits ~ 2000 nits for superior performance in outdoor direct sunlight applications. These LCD displays are available in large sizes.

**2** With OP66 stainless enclosure, it provides complete protection against harmful water and dust.





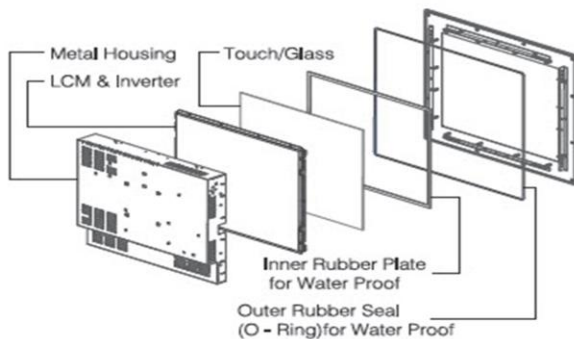
# Water Resistance

## IP65 Front

Protect the LCD monitor against everyday hazard with the IP65 water and dust proof front side enclosures. High degree of protection against rain, falling dirt, sleet, snow, dust and water means no more liquid spill or dust ingress to damage the display

## Applications

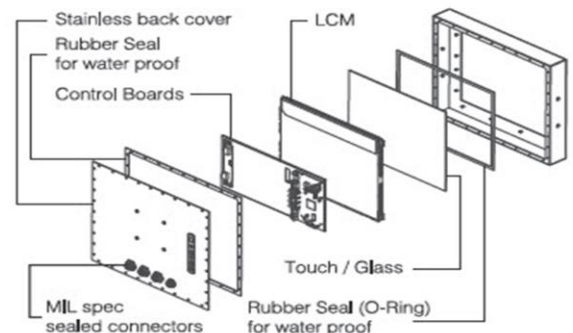
- Industrial & factory automation
- Outdoor kiosk
- Medical equipment
- Yacht on-deck display
- Shower room entertainment display



## Full IP66

With IP66 Full Stainless, it provides complete protection against outside contact with internal electronic or electrical components, protection against harmful deposits of dust, and strong water jets being squirted from any direction against the enclosure. Available in sizes from 5.7" to 85".

- Outdoor kiosk
- Harsh industrial environment
- Shower room display
- Yacht on-deck display



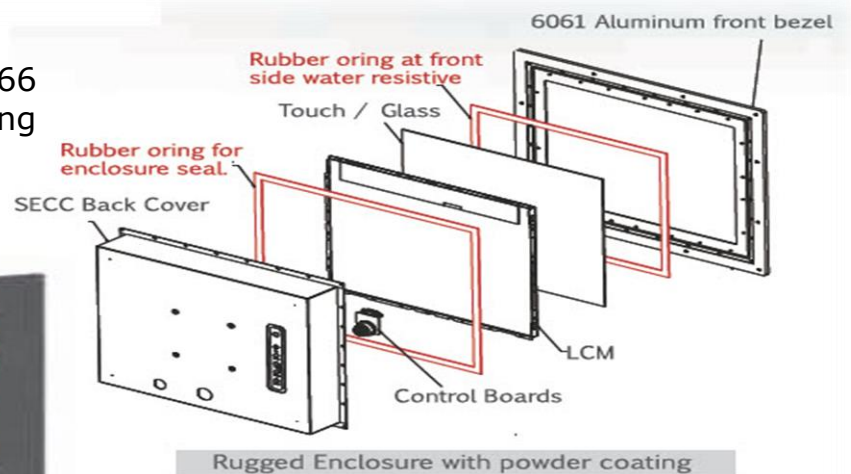
# IP67

Totally protected against dust & the effects of temporary immersion to water between 15 cm and 1 m. Duration of test 30 minutes.



# Panel Mount IP66 Monitor

Logicbus offers all-around ip66 protection with owner coating showing mechanical stability and reliability. Screen size available from 10.4" ~ 24".



# Full IP66 Yoke Mount

Rugged mount allowing swivel movement. Pipe cable management easy to protect all the cables.

---

# Industrial Panel PC

Full range industrial Panel pc fit for different applications



**Zero Bezel**



**Chassis**



**Open Frame**



**Chassis Mount**



**Panel Mount**



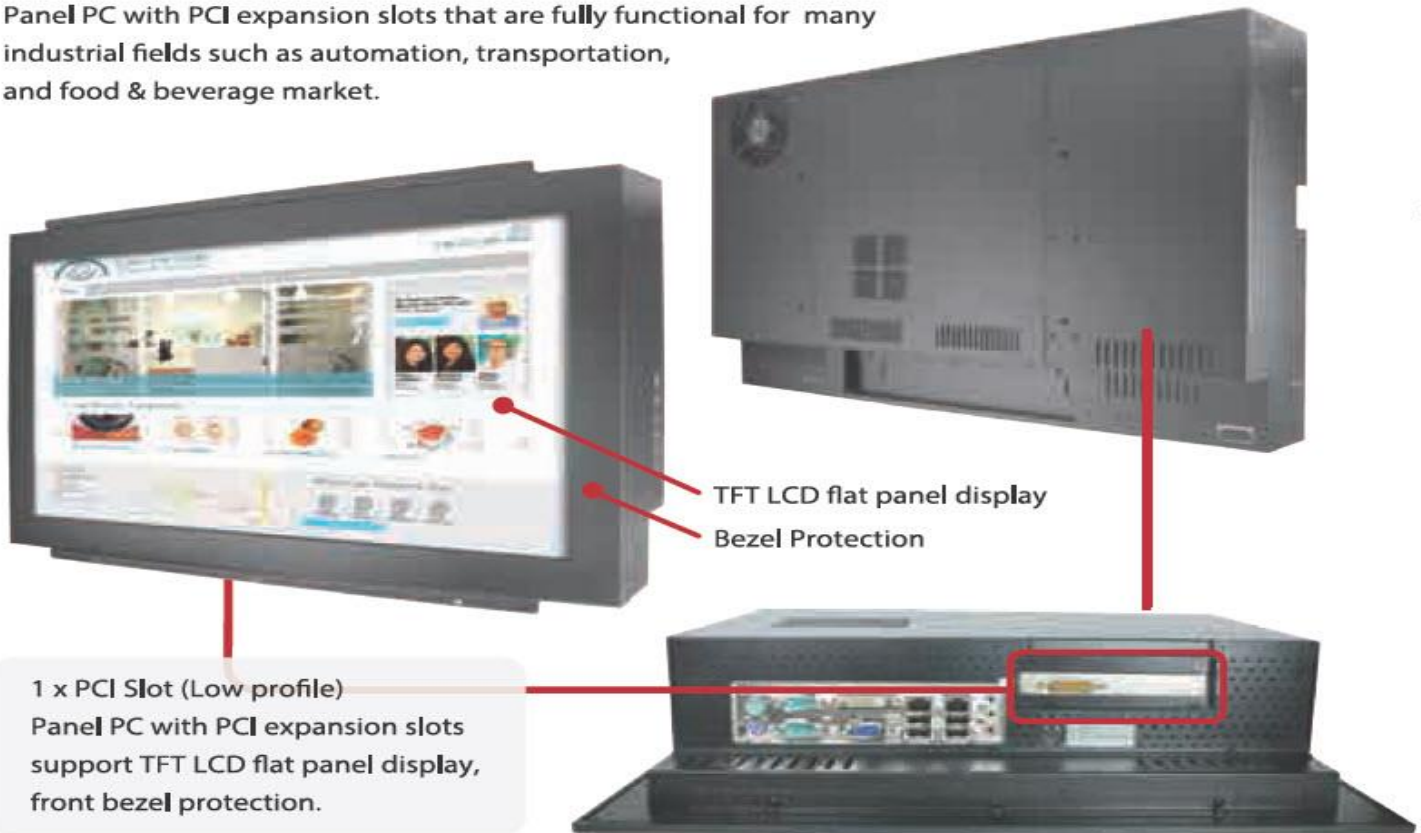
**Full IP66 Chassis**

---



### Industrial All In One Panel PCI PC

Panel PC with PCI expansion slots that are fully functional for many industrial fields such as automation, transportation, and food & beverage market.



### Reduce vibration



Amplitude	0.20mm	0.25mm	0.35mm	050.mm	0.75mm	1.00mm	1.25mm	1.50mm
55Hz	1.21g	1.52g	2.13g	3.04g	4.57g	6.09g	7.61g	9.14g
Result	V	V	V	V	V	V	X	X

- Reduce vibration to reduce case noise
- Simply attach to a standard 2.5" hard drive
- Silicon rubber construction

# Fanless Panel PC x86 & RISC

The LB panel pc series fanless comes with incredible customer services and is an all-in-one solution for interactive kiosks in hotels, airports, and public transports. Not to mention, the PC is perfect for retail signage displays in shopping malls and restaurants.

The panel PC looks wonderful in public, especially in areas where the PC is installed above eye-level locations in vertical orientation, such as digital menus in restaurants and exhibit displays in trade shows.

Running windows 7 with testing software and CPU loading keeps at full loading 100%.

Thermal cycle testing: 30° C/40° C/50° C/ 60° C. Logicbus also provides low power Intel® Atom™ processors, Baytrail and Braswell. These features not only reduce utility bills, but also increase the system's lifespan, effectively lowering the total cost!

## Perfect Heat Conductive & Perfect Heat float



The thermal module helps by transferring internal energy to the outer heat sink.



## CARCASA DE METAL

16:9 PANTALLA ANCHA							
Tamaño	Modelo	Área activa	Resolución	Contraste	Tiempo de respuesta	Angulo de visión	Consumo de energía
5.7"	LB840576-VN40L0	115.2(H) X 86.4(V)mm	640(H) X 480(V)	400cd/m <sup>2</sup> /800:1	≤25 ms	(H)160° (V)140°	8.25 W
6.5"	LB840656-VN40L0	132.48(H) X 99.36(H)mm	640(H) X 480(V)	400cd/m <sup>2</sup> /500:1	≤25 ms	(H)160° (V)120°	9.875 W
8.4"	LB840846-SN35L0	170.4(H) X 128.8(V)mm	800(H) X 600(V)	350cd/m <sup>2</sup> /400:1	≤35 ms	(H)140 (V)120°	8.68 W
9.7"	LB840975-XN35L0	196.608(H) X 147.456(V)mm	1024(H) X 768(V)	350cd/m <sup>2</sup> /500:1	≤35 ms	(H)140 (V)120°	8.3 W
10.4"	LB841045-XN40L0	210.4(H) X 157.8(V)mm	1024(H) X 768(V)	400cd/m <sup>2</sup> /1200:1	≤35 ms	(H)176° (V)176°	9.375 W
12.1"	LB841205-SN25L0	246.0(H) X 184.5(V)mm	800(H) X 600(V)	250cd/m <sup>2</sup> /600:1	≤35 ms	(H)140° (V)120°	21.9 W
12.1"	LB841205-XN35L0	245.76(H) X 184.32(V)mm	1024(H) X 768(V)	350cd/m <sup>2</sup> /700:1	≤20 ms	(H)160° (V)160°	23.75 W
15"	LB841505-XN25L0	304.13(H) X 228.10(V)mm	1024(H) X 768(V)	250cd/m <sup>2</sup> /500:1	≤12 ms	(H)130° (V)100°	20 W
17"	LB841705-EN25L0	337.92(H) X 270.34(V)mm	1280(H) X 1024(V)	250cd/m <sup>2</sup> /800:1	≤5 ms	(H)160° (V)160°	32.5 W
19"	LB841905-EN25L0	376.3(H) X 301.1(V)mm	1280(H) X 1024(V)	250cd/m <sup>2</sup> /800:1	≤5 ms	(H)160° (V)160°	32.5 W
20.1"	LB842005-UN40L0	408(H) X 306(V)mm	1600(H) X 1200(V)	400cd/m <sup>2</sup> /800:1	≤8 ms	(H)160° (V)160°	40 W
21.3"	LB842135-QX80L0	433.152(H) X 324.864(V)mm	2048(H) X 1536(V)	800cd/m <sup>2</sup> /1200:1	≤25 ms	(H)178° (V)178°	111.25 W
23.1"	LB842316-UN40L0	470.4(H) X 352.8(V)mm	1600(H) X 1200(V)	400cd/m <sup>2</sup> /600:1	≤8 ms	(H)160° (V)160°	117.5 W
26"	LB842625-SQ30L2	491.8(H) X 491.8(H)mm	1920(H) X 1920(V)	400cd/m <sup>2</sup> /600:1	≤8 ms	(H)178° (V)178°	130.5 W
16:9 PANTALLA ANCHA							
7"	LB840706-WV40L0	152.40(H) X 91.44(V)mm	800(H) X 480(v)	400cd/m <sup>2</sup> /300:1	≤16 ms	(H)120° (V)100°	9.625 W
10.1"	LB841016-WS20L0	222.72(H) X 152.28(V)mm	1024(H) X 600(V)	200cd/m <sup>2</sup> /650:1	≤10 ms	(H)90° (V)65°	8.75 W
10.1"	LB841016-WE20L0	216.96(H) X 135.6(V)mm	1280(H) X 800(V)	200cd/m <sup>2</sup> /500:1	≤16 ms	(H)130° (V)110°	8.75 W
10.1"	LB841016-WX20L0	222.72(H) X 125.28(V)mm	1366(H) X 768(V)	200cd/m <sup>2</sup> /500:1	≤16 ms	(H)90° (V)5°	8.25 W
10.1"	1016-WU35L0	216.81(H) X 135.5(V)mm	1920(H) X 1200(V)	350cd/m <sup>2</sup> /600:1	≤25 ms	(H)160° (V)160°	8.75 W
12.1"	LB8412W5-WE35L0	261.12(H) X 163.20(V)mm	1280(H) X 800(V)	350cd/m <sup>2</sup> /350:1	≤15 ms	(H)130° (V)115°	10 W
15.4"	LB841545-WEA0L0	331.2(H) X 207.0(V)mm	1280(H) X 800(V)	1000cd/m <sup>2</sup> /400:1	≤16 ms	(H)90 (V)65°	17 W
15.6"	LB841565-WX20L0	344.232(H) X 193.536(V)mm	1366(H) X 768(V)	200cd/m <sup>2</sup> /500:1	≤8 ms	(H)90 (V)50°	15 W
17"	LB8417W5-WPA0L0	367.2(H) X 229.5(V)mm	1440(H) X 900(V)	1000cd/m <sup>2</sup> /800:1	≤8 ms	(H)130° (V)100°	11 W
17.3"	LB841735-WH30L0	381.888(H) X 217.812(V)mm	1920(H) X 1080(V)	300cd/m <sup>2</sup> /500:1	≤8 ms	(H)90° (V)50°	15 W
18.5"	LB841855-WX25L0	409.8(H) X 230.4(V)mm	1366(H) X 768(V)	250cd/m <sup>2</sup> /1000:1	≤5 ms	(H)170° (V)160°	22 W
19"	LB8419W5-WP25L0	408.24(H) X 255.15(V)mm	1440(H) X 900(V)	250cd/m <sup>2</sup> /1000:1	≤5 ms	(H)170° (V)160°	30 W
21.5"	LB842155-WH25L0	476.64(H) X 268.11(V)mm	1920(H) X 1080(V)	250cd/m <sup>2</sup> /1000:1	≤5 ms	(H)170° (V)160°	26 W
22"	LB842205-WM25L0	473.8(H) X 296.1(V)mm	1680(H) X 1050(V)	300cd/m <sup>2</sup> /1000:1	≤5 ms	(H)170° (V)160°	36 W
24"	LB842405-WH25L0	531.36(H) X 298.89(H)mm	1920(H) X 1080(V)	250cd/m <sup>2</sup> /1000:1	≤2 ms	(H)170° (V)160°	50 W
24"	LB842415-WU30L0	518.4(H) X 324.0(V)mm	1920(H) X 1200(V)	300cd/m <sup>2</sup> /1000:1	≤6 ms	(H)178° (V)178°	85 w



## Fanless Panel PC x86 & RISC

27"	LB842705-WH30L0	597.89(H) X 336.31(V)mm	1920(H) X 1200(V)	300cd/m <sup>2</sup> /1000:1	≤3.4 ms	(H)178° (V)178°	35 W
27"	LB842705-QD35L0	596.74(H) X 335.66(V)mm	2560(H) X 1440(V)	250cd/m <sup>2</sup> /1000:1	≤5.5 ms	(H)178° (V)178°	100.5 W
32"	LB843205-WX35L0	697.69(H) X 392.26(V)mm	1920(H) X 1080(V)	350cd/m <sup>2</sup> /2000:1	≤6 ms	(H)178° (V)178°	130 W
32"	LB843205-QD35L0	698.4(H) X 392.9(V)mm	2560(H) X 1440(V)	350cd/m <sup>2</sup> /3000:1	≤6 ms	(H)178° (V)178°	145 W
34"	LB843405-WF30L2	820.8(H) X 361.0(V)mm	2560(H) X 1080(V)	300cd/m <sup>2</sup> /3000:1	≤6 ms	(H)178° (V)178°	175 W
42"	LB844204-WH35L0	930.24(H) X 523.26(V)mm	1920(H) X 1080(V)	350cd/m <sup>2</sup> /3000:1	≤8 ms	(H)178° (V)178°	202 W
46"	LB844604-WH35L0	1018.08(H) X 572.67(V)mm	1920(H) X 1080(V)	350cd/m <sup>2</sup> /3000:1	≤8 ms	(H)178° (V)178°	190 W
50"	LB845004-WH35L0	1101.8(H) X 622.4(V)mm	1920(H) X 1080(V)	350cd/m <sup>2</sup> /3000:1	≤8 ms	(H)178° (V)178°	280 W
55"	LB845504-WH35L0	1209.6(H) X 680.4(V)mm	1920(H) X 1080(V)	350cd/m <sup>2</sup> /3000:1	≤8 ms	(H)178° (V)178°	400 W
65"	LB846504-WH35L0	1428.48(H) X 803.52(V)mm	1920(H) X 1080(V)	350cd/m <sup>2</sup> /3000:1	≤8 ms	(H)178° (V)178°	630 W

X86 fanless PC Available Size from 12" to 65"



---

# Dual Display

## LBDCH84215X-WH25L2H

Dual Chassis, 21.5" LCD monitor, 1920 x 1080, LED 250 nits, HDMI input, wide view angle, with LED light frame.



front



back



## LBDCH84215X-WH25L2V

Dual Chassis, 21.5" LCD monitor, 1920 x 1080, LED250 nits, HDMI input, wide view angle, with LED light frame.

---

# Digital Signage

Sound and image are the most popular and attractive communications. Digital Signage is some kind of entertainment and information broadcast system, Digital Signage use digital media displays to broadcast information and advertising to viewer that you see in lobbies, along roadsides, at stations and airports. On the other hand, the broadcasters use management software to manage the schedule of programs. Use the software to manage the programs to broadcast a specific time and area of display.

## Media player

Logicbus provides networkable digital signage system with compact size and reliable media player. Digital Signage Solutions provide reliable Network Media players and Management Software. Media Player provides Linux with low cost and reliable fanless system. It supports 1080P and is multimedia, it suitable for variety signage application such as Hotel, Education, Museum, and Transportation.

DIGITAL SIGNAGE			
	Standarlone Digital Signage	Networking Digital Singnage	Funtions
	yes	yes	android 4.4.2
Contents Support			
	yes	yes	performance: 1080p (one multi-zone) /720p / 480p
	yes	yes	video: 3gp/flv/mov/webm/WAV/AVI/DIVX & MPEG 1/2/4
	yes	yes	image: jpeg/png/bmp/tiff
Playlist Management			
	yes	yes	Entire disk looping playback (in orden to content's alphabetical)
	yes	yes	power resume: continue play the content from break point after powe recovery
	yes	yes	scheduling by weekly, segments to play specified contents
	yes	yes	webpage browsing
	yes	yes	sliding photo
	yes	yes	scrolling text
	yes	yes	device grouping
	yes	yes	adjustable multi-zone
signal output			
	yes	yes	hdmi
	yes	yes	lvds (for all in one system)
			hardware setting
	yes	yes	option: motion sensor / touch
	yes	yes	rotate (portrait / landscap)
	yes	no	auto search plug and play local network connection
Contents Support			
	yes	yes	usb update
	yes	yes	remote update





## Taxi Digital Signage

There is a wide variety of venues use digital signage today. In fact, it is to think of a place that does not benefit from digital signage. On our application cases, you can find examples of customers using our digital signage CMS software as a service. Find your relevant business: in retail stores, academic institutions, transits, Shopping malls, corporations, entertainments and much more.

Digital signage with 3G remote content update and CMS, can help managers to set up and manage their signs easily in the store Or from the corporate office to any of other stores. Different message can be targeted to different locations and update at anytime from anywhere.

Transit:

Public transportation is one of the fastest growing sectors taking advantage of digital signage. More and more, ads and information are being displayed digitally on buses, trains, shuttles, and in taxis. Digital signage is used in buses and train stations in major urban centers around the world to provide directions, updated information and promotions by using the remote content update application.

### Key Pad



Interactive quick buttons LCD advertising signage becomes more popular.

### Live TV



Easy to feed live-TV into your signage layout.

### Touch



Integrate touch screen for digital signage industry. Interactive displays are becoming more popular.

### Motion Sensor



Inbuilt motion sensor LCD advertising signage can be switch off after sensing no movement in time. You don't need turn on and off all the time.

### SMIL / HTML 5



The product leverage SMIL & HTML5 for designer to create online Signage.

### Wi-Fi / 3G



Retrieve data from Internet.



---

# Marine

Logicbus incorporates many unique features to add more functionality. These units are suitable for a wide variety of military and commercial shipping or avionics applications. Available in various sizes from 8" to 24" for Marine Chassis and Marine Flush Mount enclosure.

Our Marine grade LCD Displays with aluminum enclosure is suited for the harshest environment out there. With IP65 Front water resistant and IP54 Back, not only it's water resistant, dust proof and it's also anti-corrosion.

**LBMFM84** (Flush Mount)  
Marine grade monitor with flush mount solution



**LBMSCH84** (Stainless Chassis)  
Stainless Housing without brilliant outlook

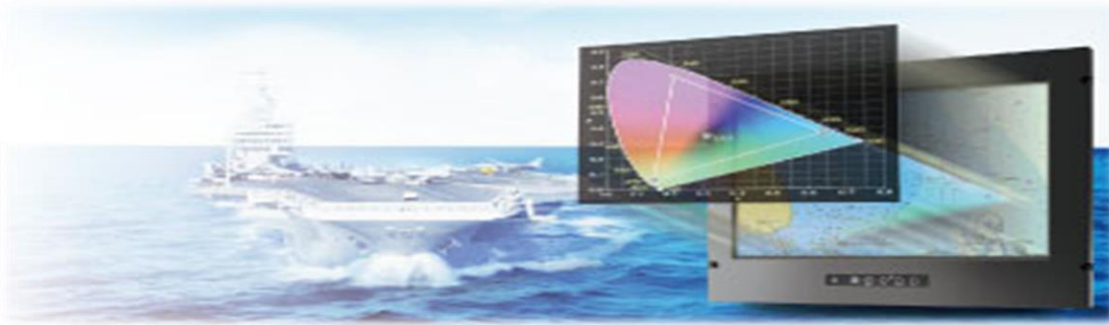


**LBMCH84** (Marine Grade Chassis)  
Marine grade metal housing without powder coating



**LBMFCH84** (Full IP66, Stainless)  
Stainless IP66 housing fit for harsh environment





## ECDIS

ECDIS Display calibration is a very important aspect of Marine. ECDIS represents one of the most rigorous applications of display technology. It is important that monitors match the colour characteristics specified in relevant standards.

### Feature:

- Wide dimming adjusting through PWM control
- 10mm Aluminum, Flush Mount front Bezel
- With IP65 front and IP54 rear cabinet
- Housing with powder coating design Anti Salt
- Anti Corrosion
- Protected glass
- Isolated 9~36 VDC wide voltage input
- Anti-Shock and Vibration enhanced
- Removable Stand
- Wide Viewing angle Adjustable

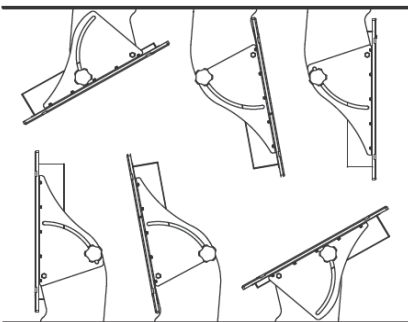
### Wide Temperature Solution

For certain extreme applications like military. Marine or some outdoor applications, a wide range temperature solution is required to survive the environment. Those applications exposed to direct sunlight can lead the surface of the LCD display as much high as +55°C to +60°C, and even worse with temperature fluctuations. The water-proof requirement and heat generated by the LCD panel and the electronics in combination with heat caused by solar energy make the outdoor applications a extreme harsh environment for the LCD Monitor/PC.

Logicbus provides rugged LCD displays/PC solution for those extreme environments. The wide temperature requirement can range from -30°C to +60°C or even extreme.

### Optional Mounting Solution

Roof Mount



Stand Mount



# HMI

The ability to visualize and present data to operators in an intuitive and attractive way is a vital competitive factor in the design of any automation system. We offer a complete range of HMI products, developed with functionality and ease-of-use in mid and broad applications areas includes HMI software, operator panels and industrial PCs.

## LBHM-PPM84070B



- Panel Size : 7"
- Resolution : 800x480
- Platform : ARM ® Cortex™ A 53
- Storage : 16GB internal Emmc
- Ram : 2GB DDR3
- Touch : 5 Wires Resistive Touch

## LBHM-ZPPM84101A



- Panel Size : 10.1"
- Resolution : 1280X800
- Platform : Intel® Atom Braswell
- Storage : 64GB Emmc
- Ram : 4G
- Touch : Projected Capacitive Touch

## LBHM-PPM84104B



- Panel Size : 10.4"
- Resolution : 1024X768
- Platform : ARM ® Cortex™ A 53
- Storage : 16GB internal Emmc
- Ram : 2GB DDR3
- Touch : 5 Wires Resistive Touch

## LBHM-ZPPM84104B



- Panel Size : 10.4"
- Resolution : 1024X768
- Platform : Intel® Atom Braswell
- Storage : 64GB Emmc
- Ram : 4G
- Touch : Projected Capacitive Touch

## LBHM-PPM84150B



- Panel Size : 15"
- Resolution : 1024X768
- Platform : ARM ® Cortex™ A 53
- Storage : 16GB internal Emmc
- Ram : 2GB DDR3
- Touch : 5 Wires Resistive Touch

## LBHM-ZPPM84104B



- Panel Size : 15"
- Resolution : 1024X768
- Platform : Intel® Atom Braswell
- Storage : 64GB Emmc
- Ram : 4G
- Touch : Projected Capacitive Touch

**Feature-ARM:**

- Modularize mechanical design provides flexible product configuration and easy maintenance
- Build- in touch screen for interactive applications
- ARM® Cortex™ a 53 Octa Core
- One 2GB DDR3 @960M Onboard 16GB internal EMMC
- Complete custom design/solution for OEM customers
- 1 x HDMI, 2 x USB, 1x micro-SD slot, 1 x LAN, 1 x RS232/422/485
- Linux + QT2.2 / Ubuntu12.04 / Android 5.1

**Feature-Braswell:**

- Modularize mechanical design provides flexible product configuration and easy maintenance
- Build-in touch screen for interactive application
- Intel® Atom Braswell
- Single Channel DDR3L 1333 MHz SDRAM
- Complete custom design/solution for OEM customers
- 2 x HDMI, 1 x COM, 2 x USB, 2 x USB 3.0, 1 x LAN
- Win 7/8/10



# POS

## All in One POS

**Ultimate retail's point of sale solution with touch screen provides reliable performance and powerful functions.**

- The latest Intel Core i3/i5/i7, Atom D525 and ARM solution provide wide range of POS Terminal feature.
- OS supports: Windows XP/7/8 or Android 4.0
- Touch Sensor Solution: PCT (RS232 or USB) & RT (RS232 or USB)



### POS Computer

Cost and effective solution embedded POS Computer provides fanless and fashionable fan box pc. Compact size with rich I/O ports for the variety and performance retail demands.

### Touch Monitor

LCD Touchscreen monitor has the exceptional screen performance with remarkable contrast ratio and brightness quality.

- Touch screen performs the highest accuracy, reliability, long product life in the market today. Options Touch Sensors: PCT(RS232 or USB) & RT(RS232 or USB)
- The Stands are provides wide angle adjustable tilt.
- Available size of Monitor from 10.4" ~ 19" or customize larger.

### Accessories

Logicbus provides the variety accessory for one-stop service with barcode scanner, thermal printer, cash drawer, and customer display.....





# Display Wall

The display wall is designed to offer the ability to combine multiple LCD screens into one giant resolution screen. It is perfect for digital signage, Google earth, flight simulators, advertising, PowerPoint presentations, art, live shows, hi-res images, traffic or security control room and much more applications. Screen Size: 42", 46", 55".

- Narrow Border design
- Easy installation construction
- Friendly setting through OSD Menu
- Landscape: 3x3, 3x2, 3x1, 2x2, 4x2, 4x1, 1x4, 1x3
- Portrait: 3x1, 4x1.
- Stand Type: 3x3, 3x2, 2x2

pantalla de pared						
tamaño modelo	resolucion	brillo	puertos de entrada	angulo de vision	configuracion	
paisaje						
42"	LBDWF844201-33	5760(H) X 3240(V)	500cd/m <sup>2</sup>	VGA+DVI	H.178° (-89°~89°), V.178° (-89°~89°)	BY OSD
42"	LBDWF844201-32	5760(H) X 2160(V)	500cd/m <sup>2</sup>	VGA+DVI	H.178° (-89°~89°), V.178° (-89°~89°)	BY OSD
42"	LBDWF844201-31	5760(H) X 1080(V)	500cd/m <sup>2</sup>	VGA+DVI	H.178° (-89°~89°), V.178° (-89°~89°)	BY OSD
42"	LBDWF844201-22	3840(H) X 2160(V)	500cd/m <sup>2</sup>	VGA+DVI	H.178° (-89°~89°), V.178° (-89°~89°)	BY OSD
42"	LBDWF844201-42	7680(H) X 2160(V)	500cd/m <sup>2</sup>	VGA+DVI	H.178° (-89°~89°), V.178° (-89°~89°)	BY OSD
42"	LBDWF844201-41	7680(H) X 1080(V)	500cd/m <sup>2</sup>	VGA+DVI	H.178° (-89°~89°), V.178° (-89°~89°)	BY OSD
42"	LBDWF844201-14	1920(H) X 4320(V)	500cd/m <sup>2</sup>	VGA+DVI	H.178° (-89°~89°), V.178° (-89°~89°)	BY OSD
42"	LBDWF844201-13	1920(H) X 4320(V)		VGA+DVI	H.178° (-89°~89°), V.178° (-89°~89°)	BY OSD
RETRATO						
42"	LBDWF844201-31P	3240(H) X 1920(V)	500cd/m <sup>2</sup>	VGA+DVI	H.178° (-89°~89°), V.178° (-89°~89°)	BY OSD
42"	LBDWF844201-41P	4320(H) X(1920(V)	500cd/m <sup>2</sup>	VGA+DVI	H.178° (-89°~89°), V.178° (-89°~89°)	BY OSD

**Monitor Arrangement**  
3x3 Landscape



**3x3 Portrait**





3x3 Landscape with stand



# Vehicle

Functions like 3G, GPS, Wifi and optional Bluetooth are available. At only 35W processor TDP, it delivers a very reliable, stable, fanless solution for vehicle application.

The vehicle product series, an innovatable series of in-vehicle display/computer, is designed for in-vehicle operation within trucks, buses, and trains



## Intelligent Automotive / DC-DC PC Power Supply

Vehicle product line equipped with a intelligent, high power, vehicle DC-DC PC power supply designed for Vehicle PC or battery powered applications. Designed to provide power and to control the ON/OFF switch of a motherboard based on ignition status, Vehicles computer system is a wide input 9 to 36V DC for car / battery and 110~125V DC FOR Train / MRT, power supply capable of surviving tough car engine cranks (down to 9V) as well as transient over-voltage situation. Just connect it to your car / boat / RV / solar battery and power up vehicle pc.

## Vehicle Computer

Vehicle computer series is a high performance, Fanless based Vehicle Computer, It is newest series of in-vehicle computer, is designed for in-vehicle operation within trucks, buses, trains and taxi. It designs with multitude of I/O interfaces which enable connectivity to various in-vehicle features. Vehicle computer is built the latest low power high performance 3<sup>rd</sup> Generation Core i7/i5/i3 processor, up to 8GB of system memory, four optional COM ports (3x RS-232 / 1x RS-485).





# Panel PC

The Vehicle product series, an innovative series of in-vehicle display / computer, is designed for in-vehicle operation within trucks, buses, and trains.



## Vehicle Driver Display



### Features

- Rugged construction ensures exceptional stability.
- LCD meets sunlight readability for navigation and transportation system.
- Multiple mounting options
- Technical support for hardware screens, monitors, controllers, peripherals including troubleshooting procedures and general system issues
- Customer service and sales support help with product selection, order management, and warranty status.

### Shock Test Method

Test method: Reference to MIL-STD-810F, Notice 3, 2003, Method 516.5 Testing Procedures I, Category 20-Ground vehicles-ground mobile.  
 Table 514.5C-VII, Figure 514.5C-3 (Composite wheel vehicle vibration exposures).  
 Sample conditions: Operating  
 Wave Form: Random  
 Frequency: 5~500 Hz  
 Impact acceleration: 1.62 & 2.05 & 2.20 grms  
 Duration: 1 hours/axis

## Vehicle Passenger Display



### Features

In recent years, information display is becoming more common in bus transport and is considered as an effective tool to manage passengers flow. Not only crucial information can be delivered to passengers in real-time via digital signage. The passengers can get the bus arrive time through the digital media display in the bus stops. The passengers can get more life information and advertisement during the waiting time.

