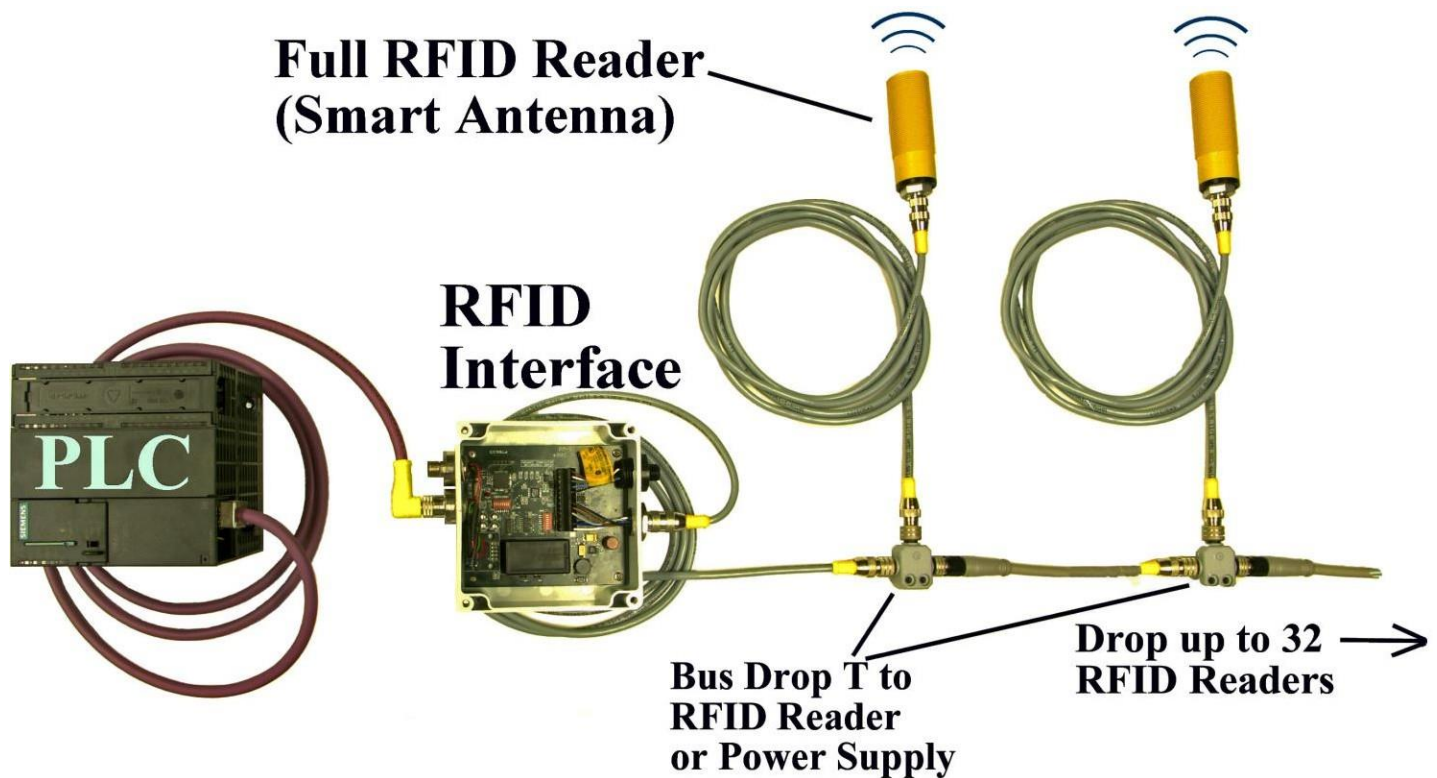


Smart Antennas - 125 KHz LF RFID Reader Systems

Network up to 32 Readers with PLC Protocols:

- | | | |
|---------------|------------|--------------|
| ➤ DeviceNet | ➤ Serial | ➤ Modbus TCP |
| ➤ Ethernet/IP | ➤ Profibus | ➤ Modbus RTU |
| ➤ TCPIP | ➤ Profinet | ➤ Can Open |



- Incredible speed performance with 100% Tag reads
- Very Metal Friendly
- Can be mounted side by side without degradation of performance

View video at www.rfidinc.com/smart-antennas-video.html

Model 5100-SA Yellow Prox Smart Antenna

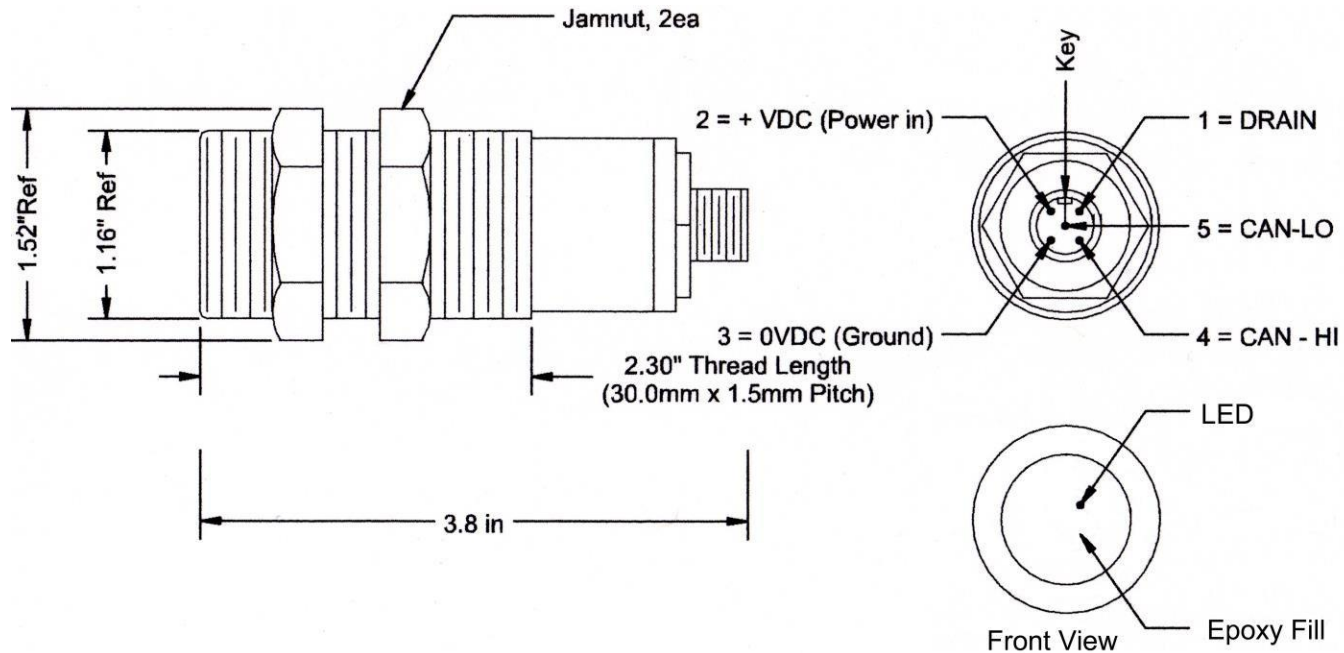


| | | | |
|------------------|--|------------------------------|--|
| Physical: | Dimensions (w/o hex nuts): | 3.8" length x 1.16" diameter | 96.52mm length x 29.46mm |
| | Weight (w/o cable): | 4 oz. | 113 grams |
| | Connector Options: | CAN Data & Power: | Serial & Power: |
| | 1' cabling standard Options up to 50' | M12 or Pigtails | 9pin D-sub or Pigtails or M12 Quick Connect or Pigtails |

| | | | |
|--------------------|--------|-----------------------|---------------|
| Electrical: | Input: | 8VDC – 28VDC | |
| | Draw: | 125mA min – 200mA max | 150mA typical |

| | | | |
|-------------------|-------------|---------------|---------------------------|
| Materials: | Housing: | Polycarbonate | |
| | LED: | On = power | Blink = read achieved |
| | Output: | CAN | RS232 or RS485 |
| | Addressing: | Inherent | Both 232 & 485 Addressing |

| | | | |
|---------------------|------------------------|-----------------|----------------|
| Environment: | Storage Temperature: | -40°F to 185°F | -40°C to +85°C |
| | Operating Temperature: | -40°F to +131°F | -40°C to +55°C |
| | Ingress Protection: | IP-68 | |

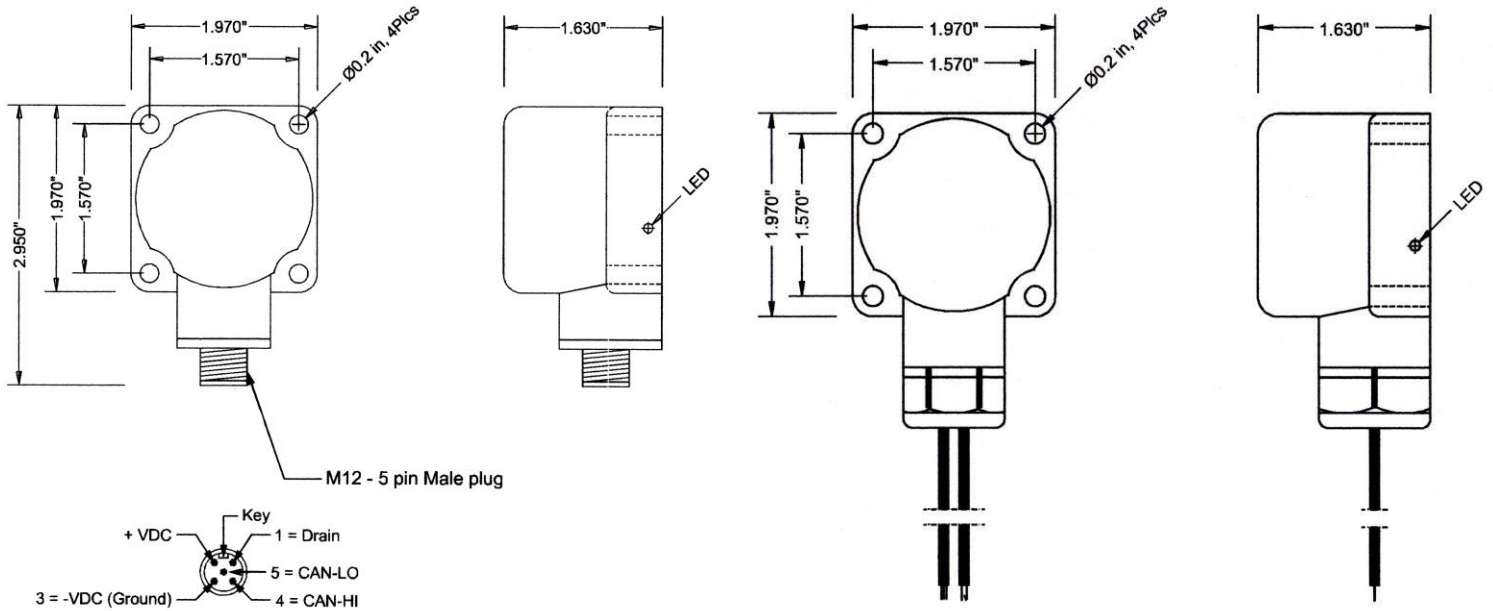


| | | | |
|----------------------|---------------------------|----------------------------------|------------------------------|
| Part Numbers: | 719-0013-04SA08 | CAN, M12 connector | 8 characters data |
| | 719-0013-14SA08 | CAN, pigtail wiring | 8 characters data |
| | 719-0013-24SA08 | CAN, dual pigtail wiring | 8 characters data |
| | 719-0013-04SA16 | CAN, M12 connector | 16 characters data |
| | 719-0013-14SA16 | CAN, pigtail wiring | 16 characters data |
| | 719-0013-24SA16 | CAN, dual pigtail wiring | 16 characters data |
| | 719-0013-25SA | Serial, pigtail wiring | 8, 16, or 32 characters data |
| | 719-0013-26SA | Serial, pigtail serial, pwr conn | 8, 16, or 32 characters data |
| | 719-0013-27SA | Serial, 9pin D-sub, pwr pigtails | 8, 16, or 32 characters data |
| | 719-0013-28SA | Serial, 9pin D-sub, pwr conn | 8, 16, or 32 characters data |
| | 719-0013-29SA | Serial, M12 connector | 8, 16, or 32 characters data |
| | Add -485 suffix for RS485 | Add -OCAN suffix for Can Open | |

Model 5110-SA Hockey Puck Smart Antenna

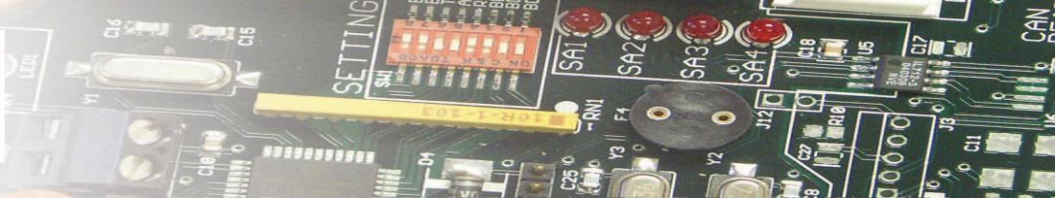


| | | | |
|-----------------------------------|--|--|---|
| Physical: | Dimensions: | 2.95" x 1.97" x 1.63" | 7.5cm x 5cm x 4.1cm |
| | Weight (w/o cable): | 5.8 oz. | 166 grams |
| | Connector Options: 1' cabling standard Options up to 50' | CAN Data & Power: M12 or Pigtails | Serial & Power: 9pin D-sub or Pigtails or M12 Quick Connect or Pigtails |
| | | | |
| Electrical: | Input: | 8VDC – 28VDC | |
| | Draw: | 125mA min – 200mA max | 150mA typical |
| Materials & Functions: | Housing: | Nylon w/20% glass fill | All units are potted |
| | LED: | On = power | Blink = read achieved |
| | Relay Driver (NO): | 5vdc @ 60mA max. | Option - Specify at Order |
| | Output: | CAN | RS232 or RS485 |
| | Addressing: | Inherent | Both 232 & 485 Addressing |
| Environment: | Storage Temperature: | -40°F to 185°F | -40°C to +85°C |
| | Operating Temperature: | -40°F to +131°F | -40°C to +55°C |
| | Ingress Protection: | IP-65 | |



M12 - FRONT VIEW

| | | | |
|----------------------|---------------------------|----------------------------------|------------------------------|
| Part Numbers: | 719-0015-04SA08 | CAN, M12 connector | 8 characters data |
| | 719-0015-14SA08 | CAN, pigtail wiring | 8 characters data |
| | 719-0015-24SA08 | CAN, dual pigtail wiring | 8 characters data |
| | 719-0015-04SA16 | CAN, M12 connector | 16 characters data |
| | 719-0015-14SA16 | CAN, pigtail wiring | 16 characters data |
| | 719-0015-24SA16 | CAN, dual pigtail wiring | 16 characters data |
| | 719-0015-25SA | Serial, pigtail wiring | 8, 16, or 32 characters data |
| | 719-0015-26SA | Serial, pigtail serial, pwr conn | 8, 16, or 32 characters data |
| | 719-0015-27SA | Serial, 9pin D-sub, pwr pigtails | 8, 16, or 32 characters data |
| | 719-0015-28SA | Serial, 9pin D-sub, pwr conn | 8, 16, or 32 characters data |
| | 719-0015-29SA | Serial, M12 connector | 8, 16, or 32 characters data |
| | Add -485 suffix for RS485 | Add -OCAN suffix for Can Open | |



Model 5120-SA White Tubular Smart Antenna

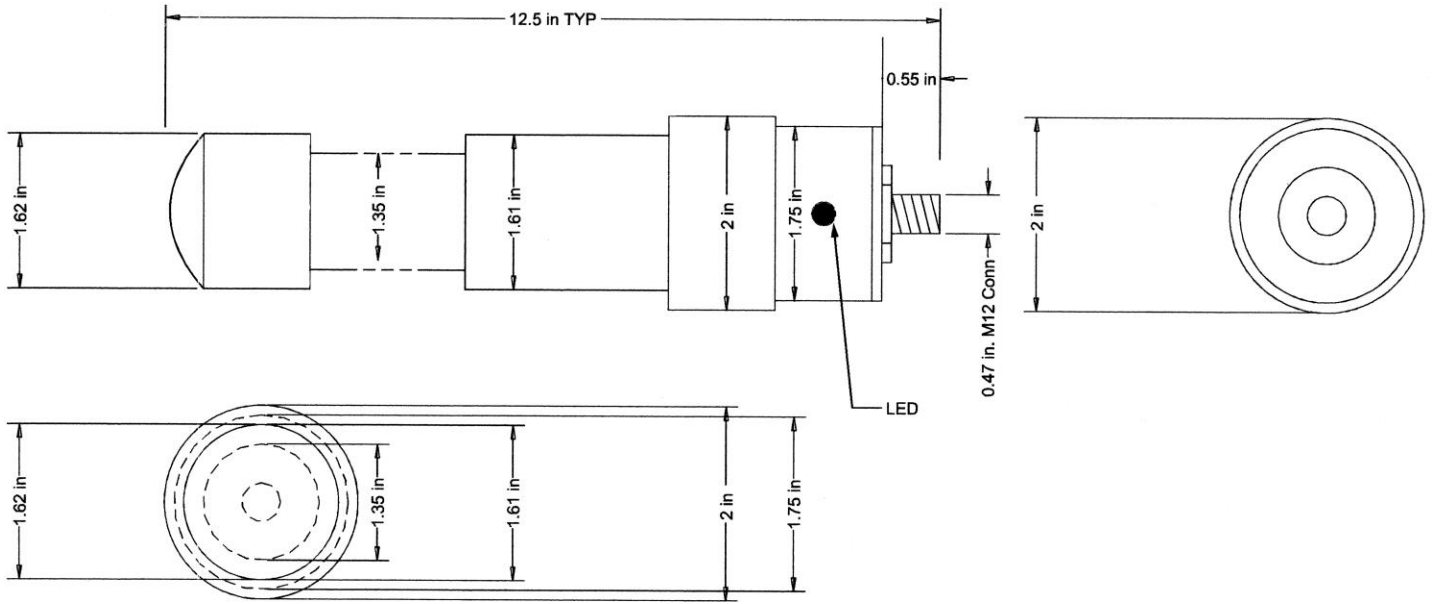
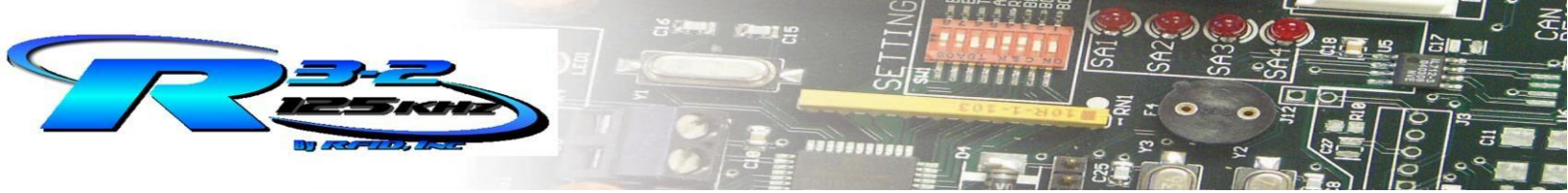


| | | | |
|------------------|--|--|---|
| Physical: | Dimensions: | 12.5" x 2" | 31.75cm x 5.08cm |
| | Weight: | 1.3 lbs. | 550 grams |
| | Connector Options: 1' cabling standard Options up to 50' | CAN Data & Power: M12 or Pigtails | Serial & Power: 9pin D-sub or Pigtails or M12 Quick Connect or Pigtails |

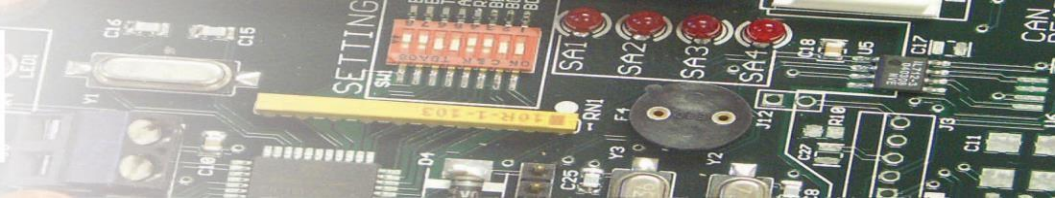
| | | | |
|--------------------|--------|-----------------------|---------------|
| Electrical: | Input: | 8VDC – 28VDC | |
| | Draw: | 125mA min – 200mA max | 150mA typical |

| | | | |
|-----------------------------------|--------------------|------------------|---------------------------|
| Materials & Functions: | Housing: | PVC | All units are potted |
| | LED: | On = power | Blink = read achieved |
| | Relay Driver (NO): | 5vdc @ 60mA max. | Option - Specify at Order |
| | Output: | CAN | RS232 or RS485 |
| | Addressing: | Inherent | Both 232 & 485 Addressing |

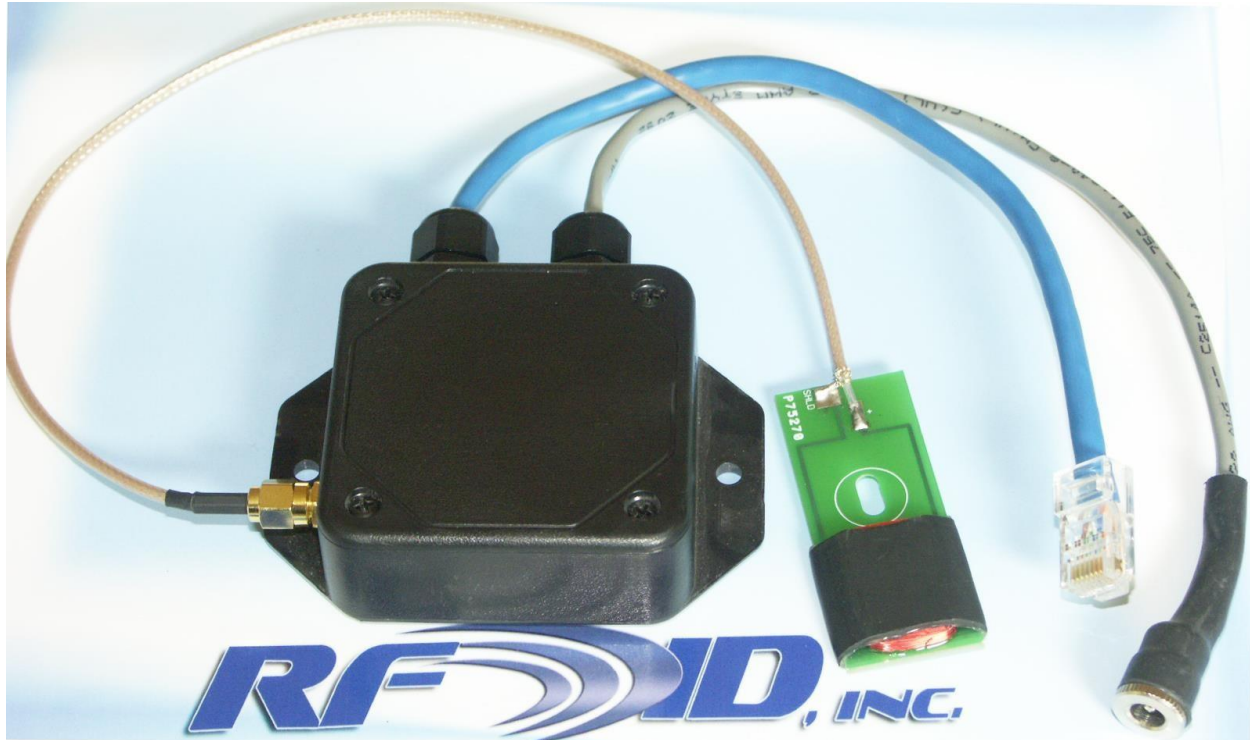
| | | | |
|---------------------|------------------------|-----------------|----------------|
| Environment: | Storage Temperature: | -40°F to 185°F | -40°C to +85°C |
| | Operating Temperature: | -40°F to +131°F | -40°C to +55°C |
| | Ingress Protection: | IP-68 | |



| | | | |
|----------------------|---------------------------|----------------------------------|------------------------------|
| Part Numbers: | 719-0016-04SA08 | CAN, M12 connector | 8 characters data |
| | 719-0016-14SA08 | CAN, pigtail wiring | 8 characters data |
| | 719-0016-24SA08 | CAN, dual pigtail wiring | 8 characters data |
| | 719-0016-04SA16 | CAN, M12 connector | 16 characters data |
| | 719-0016-14SA16 | CAN, pigtail wiring | 16 characters data |
| | 719-0016-24SA16 | CAN, dual pigtail wiring | 16 characters data |
| | 719-0016-25SA | Serial, pigtail wiring | 8, 16, or 32 characters data |
| | 719-0016-26SA | Serial, pigtail serial, pwr conn | 8, 16, or 32 characters data |
| | 719-0016-27SA | Serial, 9pin D-sub, pwr pigtails | 8, 16, or 32 characters data |
| | 719-0016-28SA | Serial, 9pin D-sub, pwr conn | 8, 16, or 32 characters data |
| | 719-0016-29SA | Serial, M12 connector | 8, 16, or 32 characters data |
| | Add -485 suffix for RS485 | Add -OCAN suffix for Can Open | |



**Model 5130-SA Smart Antenna –
with optional external Antenna for tight spaces designed to your size specifications**

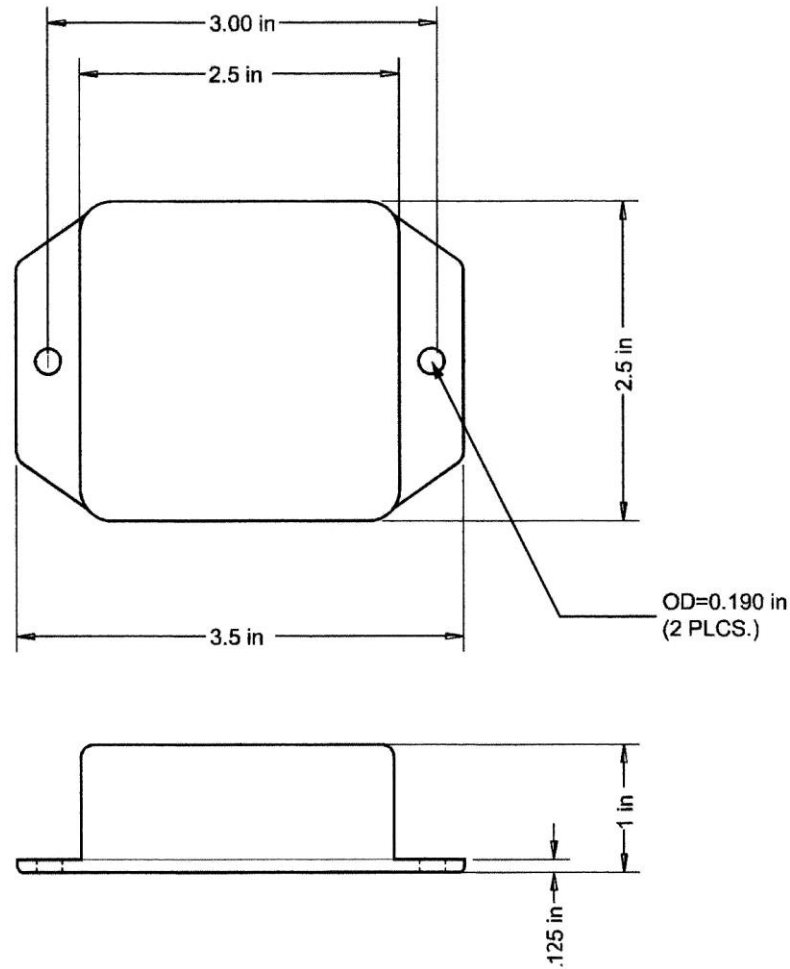
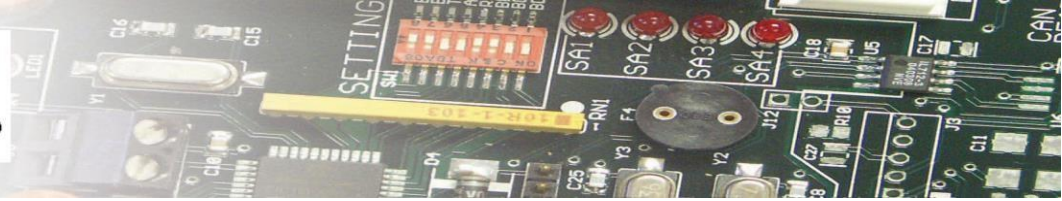


| | | | |
|------------------|--|--|---|
| Physical: | Dimensions w/ears: | 3.50" x 2.50" x 1.00" | 88.9mm x 63.5mm x 25.4mm |
| | Weight w/o Antenna: | 4.4 oz. | 123 grams |
| | Connector Options: 1' cabling standard Options up to 50' | CAN Data & Power: M12 or Pigtails | Serial & Power: 9pin D-sub or Pigtails or M12 Quick Connect or Pigtails |

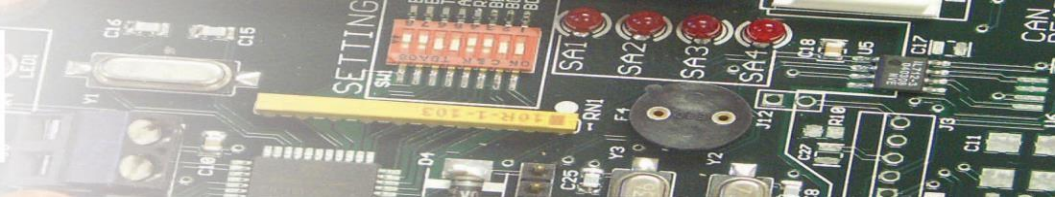
| | | | |
|--------------------|--------|-----------------------|---------------|
| Electrical: | Input: | 8VDC – 28VDC | |
| | Draw: | 125mA min – 200mA max | 150mA typical |

| | | | |
|-----------------------------------|------------------------|-------------------|---------------------------|
| Materials & Functions: | Housing: | ABS | |
| | LED: | On = power | Blink = read achieved |
| | Relay Driver (NO): | 5vdc @ 60mA max. | Option - Specify at Order |
| | Output Communications: | CAN | RS232 or RS485 |
| | Addressing: | Inherent with CAN | Both 232 & 485 Addressing |

| | | | |
|---------------------|------------------------|-----------------|----------------|
| Environment: | Storage Temperature: | -40°F to 185°F | -40°C to +85°C |
| | Operating Temperature: | -40°F to +131°F | -40°C to +55°C |
| | Ingress Protection: | IP-65 | |



| | | | |
|----------------------|---------------------------|----------------------------------|------------------------------|
| Part Numbers: | 800-0243-04SA08 | CAN, M12 connector | 8 characters data |
| | 800-0243-14SA08 | CAN, pigtail wiring | 8 characters data |
| | 800-0243-24SA08 | CAN, dual pigtail wiring | 8 characters data |
| | 800-0243-04SA16 | CAN, M12 connector | 16 characters data |
| | 800-0243-14SA16 | CAN, pigtail wiring | 16 characters data |
| | 800-0243-24SA16 | CAN, dual pigtail wiring | 16 characters data |
| | 800-0243-25SA | Serial, pigtail wiring | 8, 16, or 32 characters data |
| | 800-0243-26SA | Serial, pigtail serial, pwr conn | 8, 16, or 32 characters data |
| | 800-0243-27SA | Serial, 9pin D-sub, pwr pigtails | 8, 16, or 32 characters data |
| | 800-0243-28SA | Serial, 9pin D-sub, pwr conn | 8, 16, or 32 characters data |
| | 800-0243-29SA | Serial, M12 connector | 8, 16, or 32 characters data |
| | Add -485 suffix for RS485 | Add -OCAN suffix for Can Open | |



Model 5131-SA Nano Reader Smart Antenna

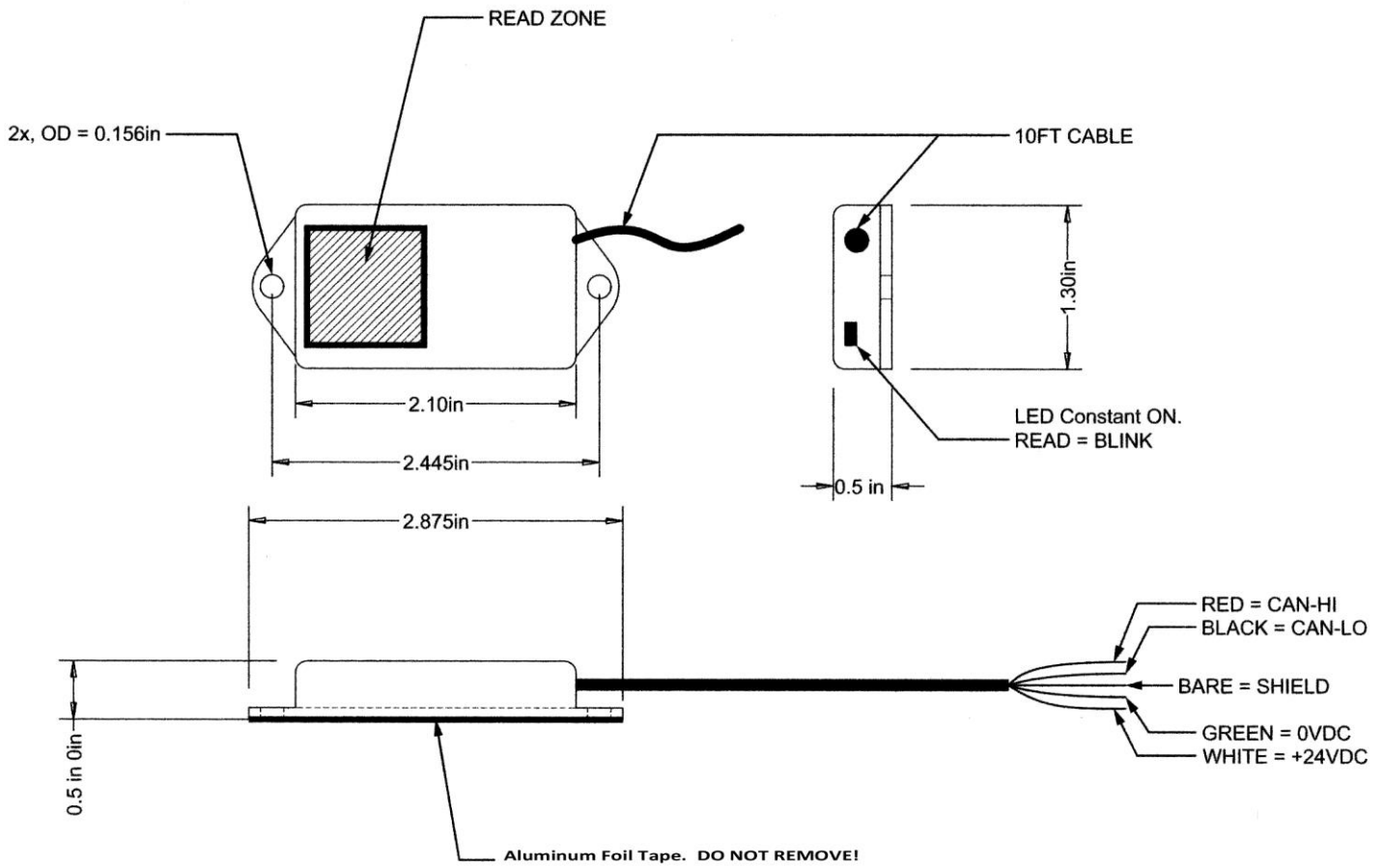
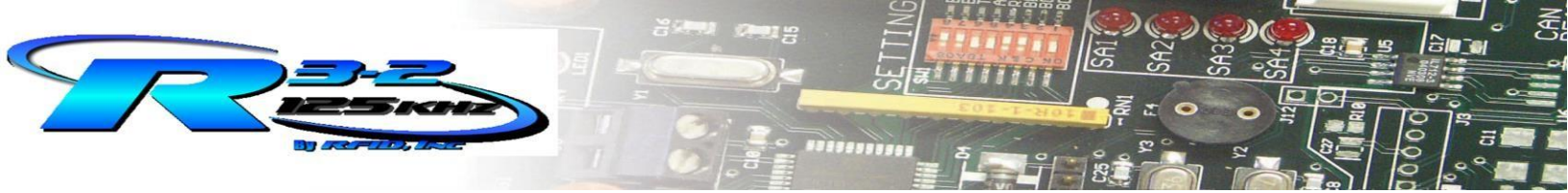


| | | | |
|------------------|--|---|---|
| Physical: | Dimensions (w/o flanges): | 2.1" x 1.3" x 0.5" | 53mm x 33mm x 12.7mm |
| | Weight (w/o cable): | 1.3 oz. | 37 grams |
| | Connector Options: 1' cabling standard Options up to 50' | CAN Data & Power: Pigtails or M12 on Cable | Serial & Power: 9pin D-sub or Pigtails or M12 Quick Connect or Pigtails |

| | | | |
|--------------------|--------|-----------------------|---------------|
| Electrical: | Input: | 8VDC – 28VDC | |
| | Draw: | 125mA min – 200mA max | 150mA typical |

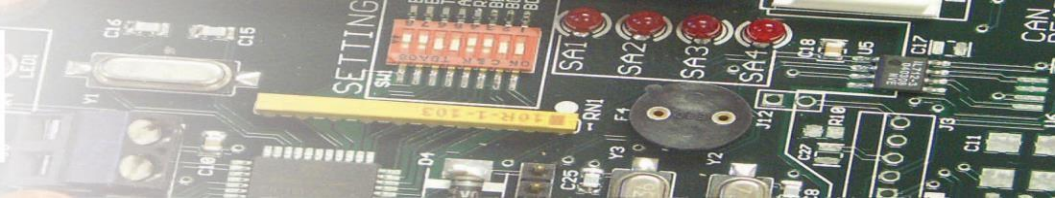
| | | | |
|-----------------------------------|-------------|------------|---------------------------|
| Materials & Functions: | Housing: | ABS | Aluminum Back Plate |
| | LED: | On = power | Blink = read achieved |
| | Output: | CAN | RS232 or RS485 |
| | Addressing: | Inherent | Both 232 & 485 Addressing |

| | | | |
|---------------------|------------------------|---------------------|----------------|
| Environment: | Storage Temperature: | -40°F to 185°F | -40°C to +85°C |
| | Operating Temperature: | -40°F to +131°F | -40°C to +55°C |
| | Ingress Protection: | IP-67 Noncondensing | |



| Part Numbers: | | | |
|---------------|---------------------------|----------------------------------|------------------------------|
| | 719-0104-04SA08 | CAN, M12 connector | 8 characters data |
| | 719-0104-14SA08 | CAN, pigtail wiring | 8 characters data |
| | 719-0104-24SA08 | CAN, dual pigtail wiring | 8 characters data |
| | 719-0104-04SA16 | CAN, M12 connector | 16 characters data |
| | 719-0104-14SA16 | CAN, pigtail wiring | 16 characters data |
| | 719-0104-24SA16 | CAN, dual pigtail wiring | 16 characters data |
| | 719-0104-25SA | Serial, pigtail wiring | 8, 16, or 32 characters data |
| | 719-0104-26SA | Serial, pigtail serial, pwr conn | 8, 16, or 32 characters data |
| | 719-0104-27SA | Serial, 9pin D-sub, pwr pigtails | 8, 16, or 32 characters data |
| | 719-0104-28SA | Serial, 9pin D-sub, pwr conn | 8, 16, or 32 characters data |
| | 719-0104-29SA | Serial, M12 connector | 8, 16, or 32 characters data |
| | Add -485 suffix for RS485 | Add -OCAN suffix for Can Open | |





Model 5150-SA 7" Square Smart Antenna

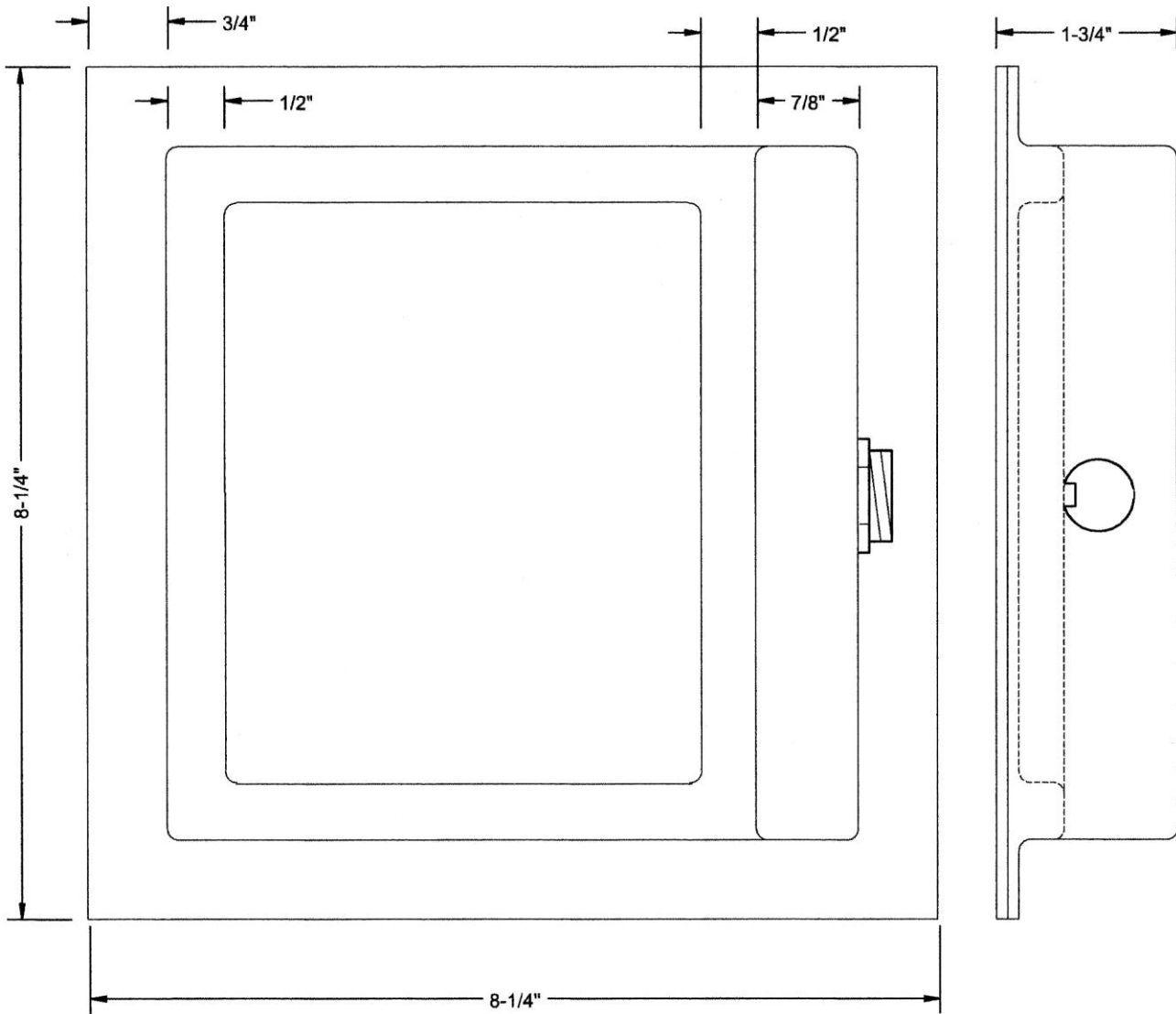
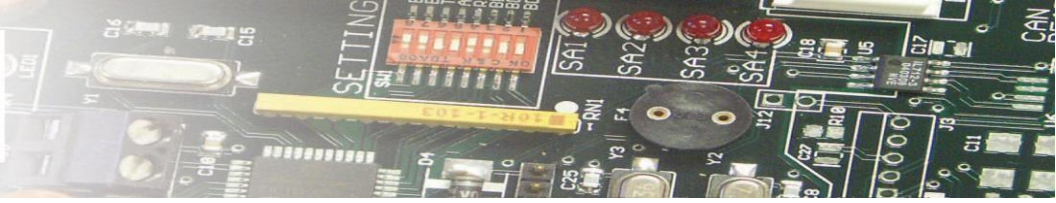


| | | | |
|------------------|--|--|---|
| Physical: | Dimensions: | 8.25" x 8.25" x 1.75" | 21cm x 21cm x 4.5cm |
| | Weight (w/o cable): | 15.7 oz. | 446 grams |
| | Connector Options: 1' cabling standard Options up to 50' | CAN Data & Power: Pigtails or M12 | Serial & Power: 9pin D-sub or Pigtails or M12 Quick Connect or Pigtails |

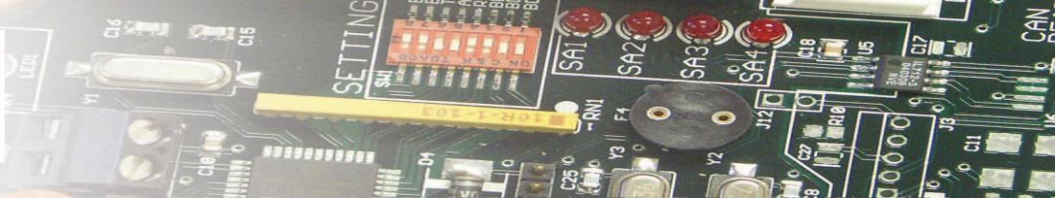
| | | | |
|--------------------|--------|-----------------------|---------------|
| Electrical: | Input: | 8VDC – 28VDC | |
| | Draw: | 125mA min – 200mA max | 150mA typical |

| | | | |
|-----------------------------------|--------------------|------------------|---------------------------|
| Materials & Functions: | Housing: | ABS | |
| | LED: | On = power | Blink = read achieved |
| | Relay Driver (NO): | 5vdc @ 60mA max. | Option - Specify at Order |
| | Output: | CAN | RS232 or RS485 |
| | Addressing: | Inherent | Both 232 & 485 Addressing |

| | | | |
|---------------------|------------------------|---------------------|----------------|
| Environment: | Storage Temperature: | -40°F to 185°F | -40°C to +85°C |
| | Operating Temperature: | -40°F to +131°F | -40°C to +55°C |
| | Ingress Protection: | IP-67 Noncondensing | |



| | | | |
|----------------------|---------------------------|----------------------------------|------------------------------|
| Part Numbers: | 719-0026-04SA08 | CAN, M12 connector | 8 characters data |
| | 719-0026-14SA08 | CAN, pigtail wiring | 8 characters data |
| | 719-0026-24SA08 | CAN, dual pigtail wiring | 8 characters data |
| | 719-0026-04SA16 | CAN, M12 connector | 16 characters data |
| | 719-0026-14SA16 | CAN, pigtail wiring | 16 characters data |
| | 719-0026-24SA16 | CAN, dual pigtail wiring | 16 characters data |
| | 719-0026-25SA | Serial, pigtail wiring | 8, 16, or 32 characters data |
| | 719-0026-26SA | Serial, pigtail serial, pwr conn | 8, 16, or 32 characters data |
| | 719-0026-27SA | Serial, 9pin D-sub, pwr pigtails | 8, 16, or 32 characters data |
| | 719-0026-28SA | Serial, 9pin D-sub, pwr conn | 8, 16, or 32 characters data |
| | 719-0026-29SA | Serial, M12 connector | 8, 16, or 32 characters data |
| | Add -485 suffix for RS485 | Add -OCAN suffix for Can Open | |



Model 5155-SA FlatPack Smart Antenna

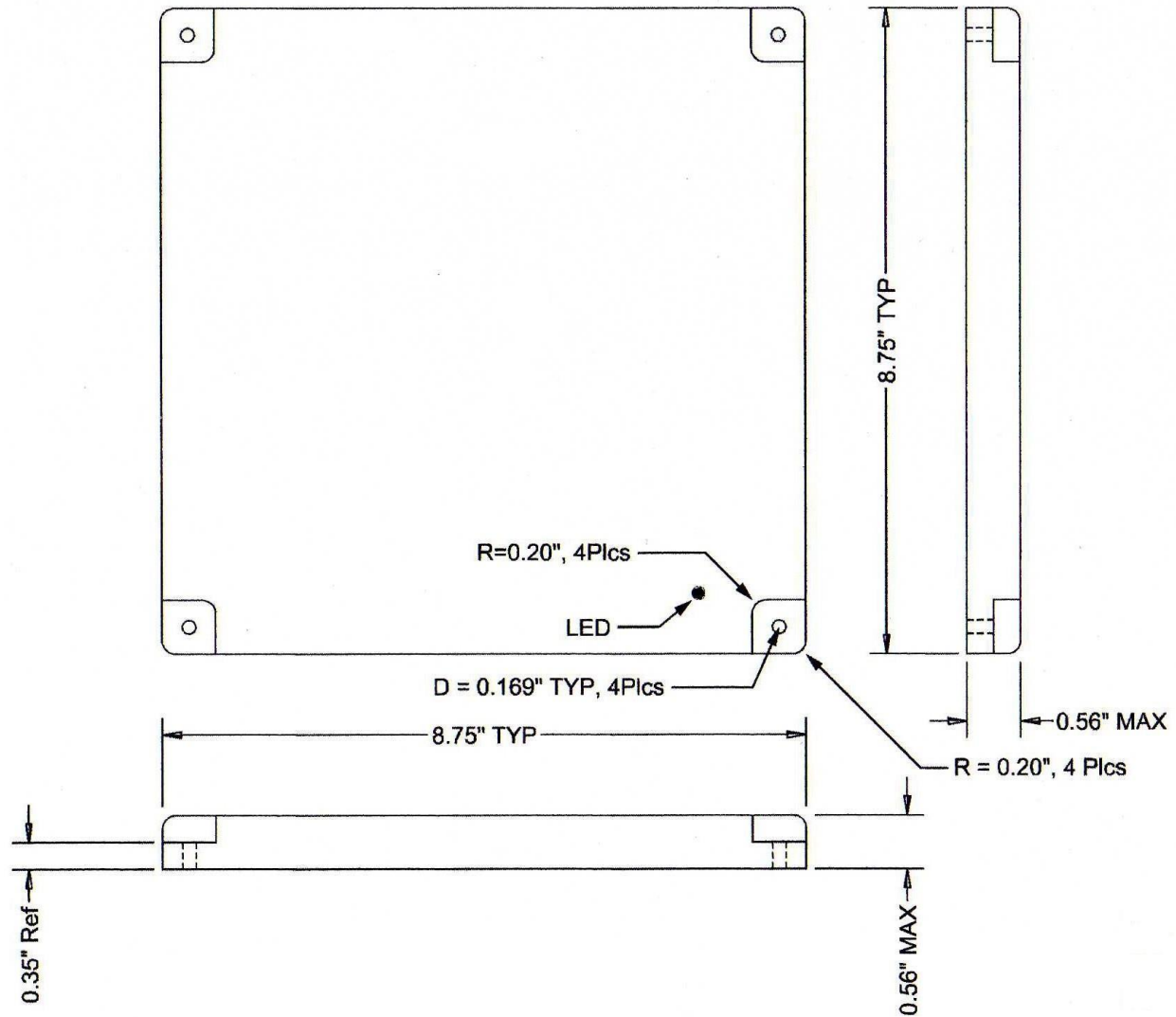
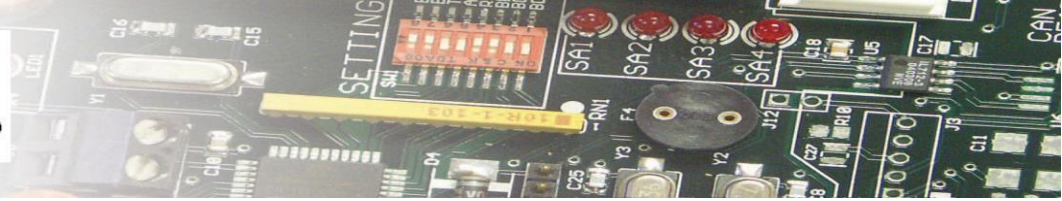


| | | | |
|------------------|--|---|---|
| Physical: | Dimensions (w/o flanges): | 8.75" x 8.0" x 0.56" | 22.3cm x 20.3cm x 1.42cm |
| | Weight (w/o cable): | 1.75 lbs. | 794 grams |
| | Connector Options: 1' cabling standard Options up to 50' | CAN Data & Power: Pigtails or M12 on Cable | Serial & Power: 9pin D-sub or Pigtails or M12 Quick Connect or Pigtails |

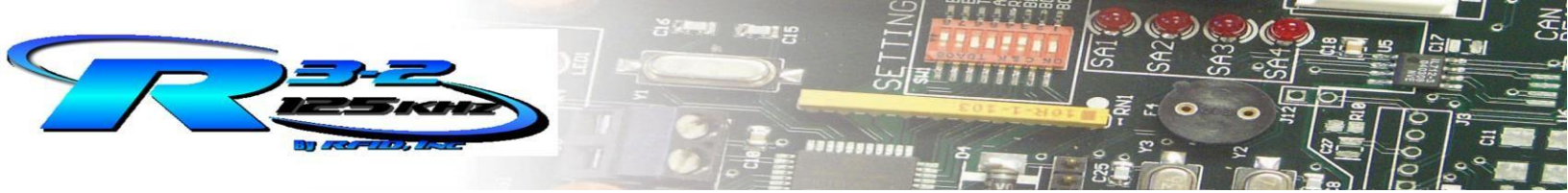
| | | | |
|--------------------|--------|-----------------------|---------------|
| Electrical: | Input: | 8VDC – 28VDC | |
| | Draw: | 125mA min – 200mA max | 150mA typical |

| | | | |
|-----------------------------------|--------------------|------------------|---------------------------|
| Materials & Functions: | Housing: | Polycarbonate | |
| | LED: | On = power | Blink = read achieved |
| | Relay Driver (NO): | 5vdc @ 60mA max. | Option - Specify at Order |
| | Output: | CAN | RS232 or RS485 |
| | Addressing: | Inherent | Both 232 & 485 Addressing |

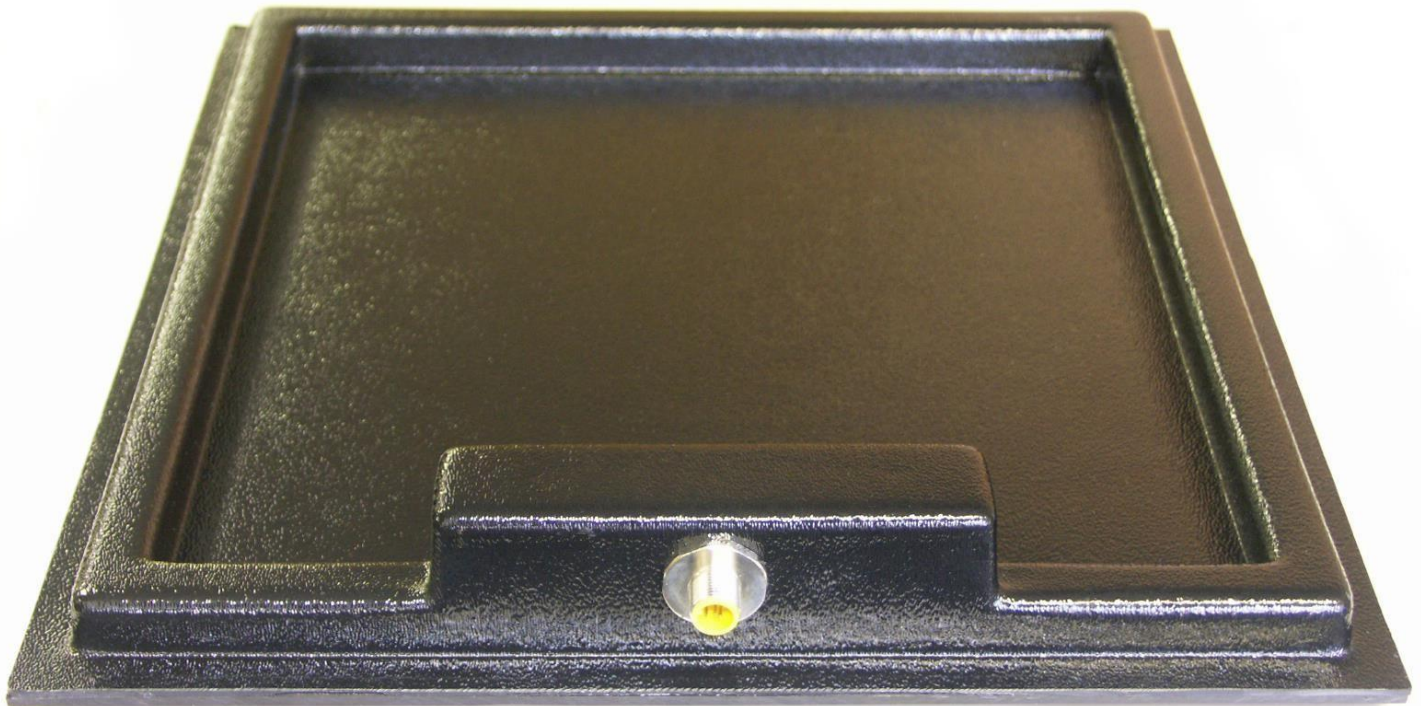
| | | | |
|---------------------|------------------------|---------------------|----------------|
| Environment: | Storage Temperature: | -40°F to 185°F | -40°C to +85°C |
| | Operating Temperature: | -40°F to +131°F | -40°C to +55°C |
| | Ingress Protection: | IP-65 Noncondensing | |



| | | | |
|----------------------|---------------------------|----------------------------------|------------------------------|
| Part Numbers: | 719-0246-04SA08 | CAN, M12 connector | 8 characters data |
| | 719-0246-14SA08 | CAN, pigtail wiring | 8 characters data |
| | 719-0246-24SA08 | CAN, dual pigtail wiring | 8 characters data |
| | 719-0246-04SA16 | CAN, M12 connector | 16 characters data |
| | 719-0246-14SA16 | CAN, pigtail wiring | 16 characters data |
| | 719-0246-24SA16 | CAN, dual pigtail wiring | 16 characters data |
| | 719-0246-25SA | Serial, pigtail wiring | 8, 16, or 32 characters data |
| | 719-0246-26SA | Serial, pigtail serial, pwr conn | 8, 16, or 32 characters data |
| | 719-0246-27SA | Serial, 9pin D-sub, pwr pigtails | 8, 16, or 32 characters data |
| | 719-0246-28SA | Serial, 9pin D-sub, pwr conn | 8, 16, or 32 characters data |
| | 719-0246-29SA | Serial, M12 connector | 8, 16, or 32 characters data |
| | Add -485 suffix for RS485 | Add -OCAN suffix for Can Open | |



Model 5160-SA 12" Square Smart Antenna

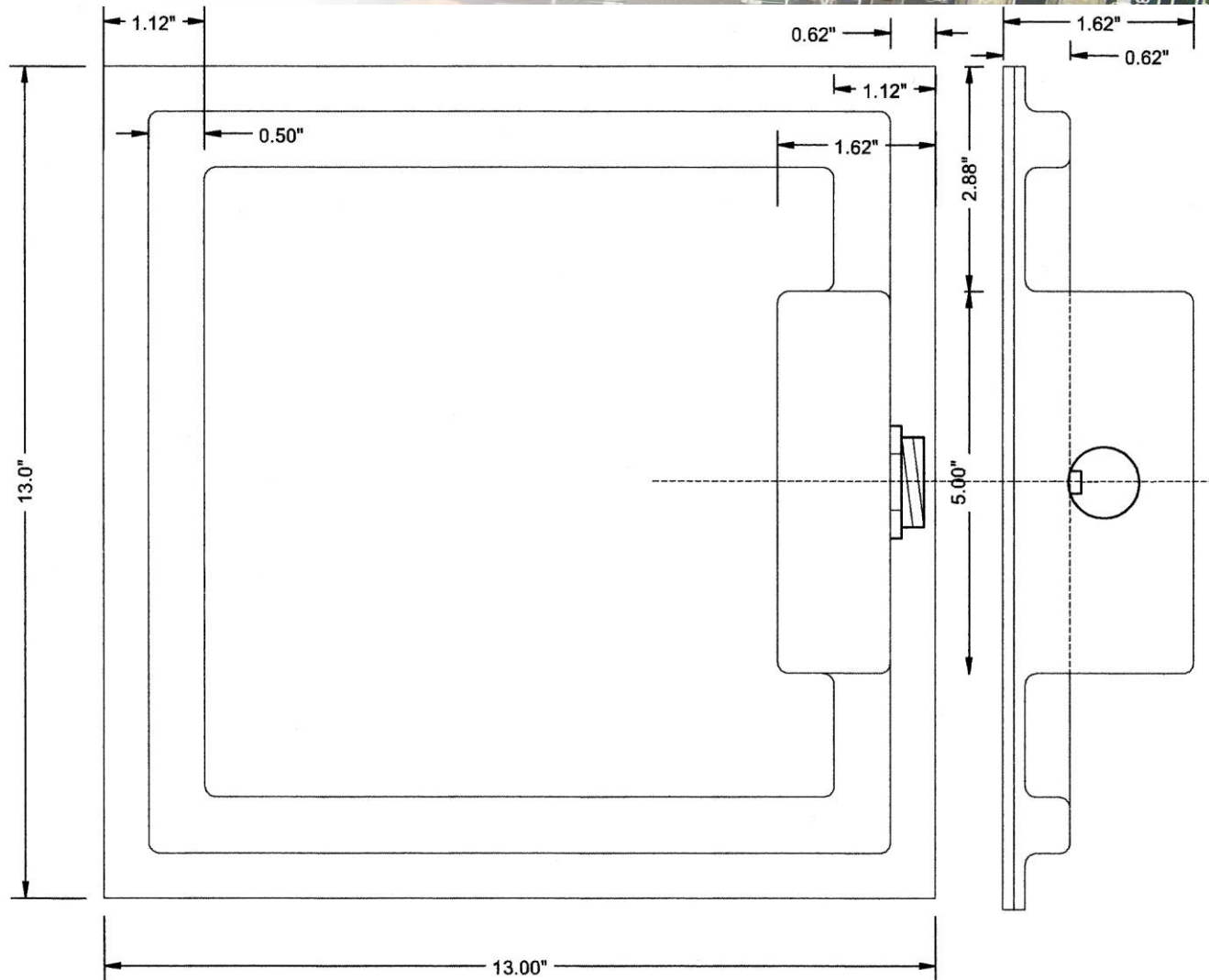
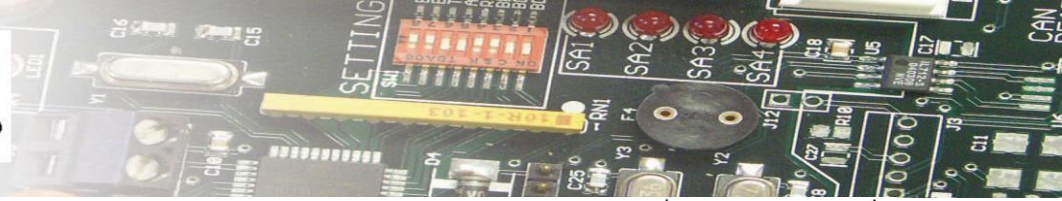


| | | | |
|------------------|--|---|---|
| Physical: | Dimensions (w/o flanges): | 13" x 13" x 1.62" | 33cm x 33cm x 4.1cm |
| | Weight (w/o cable): | 2 lbs. | 907 grams |
| | Connector Options: 1' cabling standard Options up to 50' | CAN Data & Power: Pigtails or M12 on Cable | Serial & Power: 9pin D-sub or Pigtails or M12 Quick Connect or Pigtails |

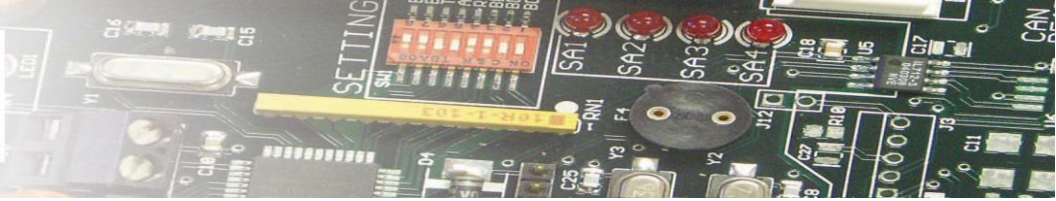
| | | | |
|--------------------|--------|-----------------------|---------------|
| Electrical: | Input: | 8VDC – 28VDC | |
| | Draw: | 125mA min – 200mA max | 150mA typical |

| | | | |
|-----------------------------------|--------------------|------------------|---------------------------|
| Materials & Functions: | Housing: | Black ABS | |
| | LED: | On = power | Blink = read achieved |
| | Relay Driver (NO): | 5vdc @ 60mA max. | Option - Specify at Order |
| | Output: | CAN | RS232 or RS485 |
| | Addressing: | Inherent | Both 232 & 485 Addressing |

| | | | |
|---------------------|------------------------|---------------------|----------------|
| Environment: | Storage Temperature: | -40°F to 185°F | -40°C to +85°C |
| | Operating Temperature: | -40°F to +131°F | -40°C to +55°C |
| | Ingress Protection: | IP-67 Noncondensing | |



| | | | |
|----------------------|---------------------------|----------------------------------|------------------------------|
| Part Numbers: | 719-0027-04SA08 | CAN, M12 connector | 8 characters data |
| | 719-0027-14SA08 | CAN, pigtail wiring | 8 characters data |
| | 719-0027-24SA08 | CAN, dual pigtail wiring | 8 characters data |
| | 719-0027-04SA16 | CAN, M12 connector | 16 characters data |
| | 719-0027-14SA16 | CAN, pigtail wiring | 16 characters data |
| | 719-0027-24SA16 | CAN, dual pigtail wiring | 16 characters data |
| | 719-0027-25SA | Serial, pigtail wiring | 8, 16, or 32 characters data |
| | 719-0027-26SA | Serial, pigtail serial, pwr conn | 8, 16, or 32 characters data |
| | 719-0027-27SA | Serial, 9pin D-sub, pwr pigtails | 8, 16, or 32 characters data |
| | 719-0027-28SA | Serial, 9pin D-sub, pwr conn | 8, 16, or 32 characters data |
| | 719-0027-29SA | Serial, M12 connector | 8, 16, or 32 characters data |
| | Add -485 suffix for RS485 | Add -OCAN suffix for Can Open | |



Model 5180-SA Slim Line Reader (Smart Antenna)

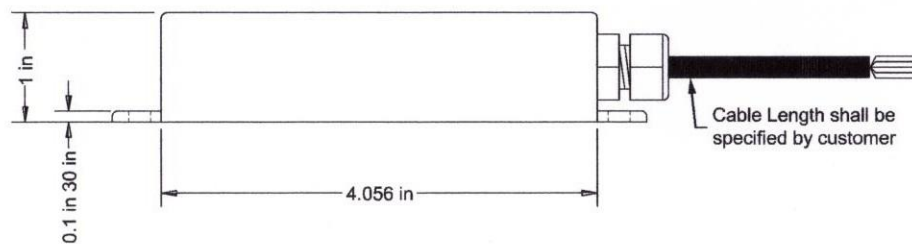
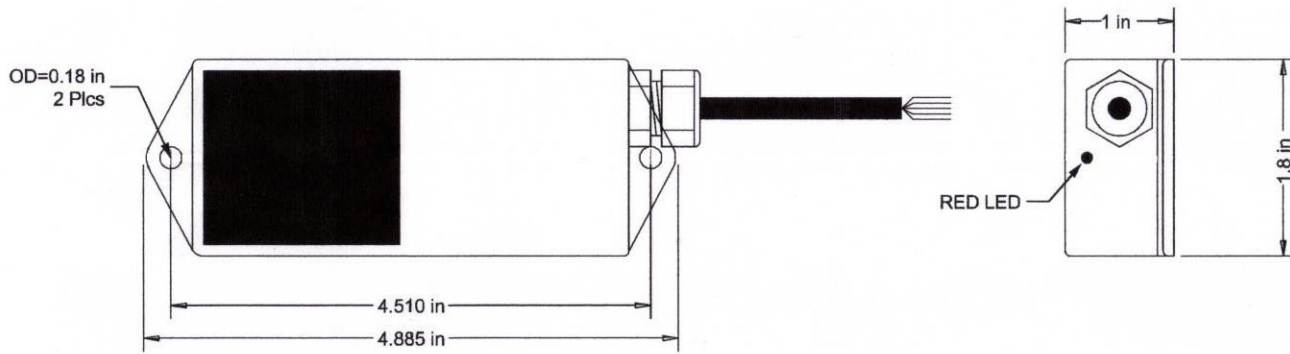
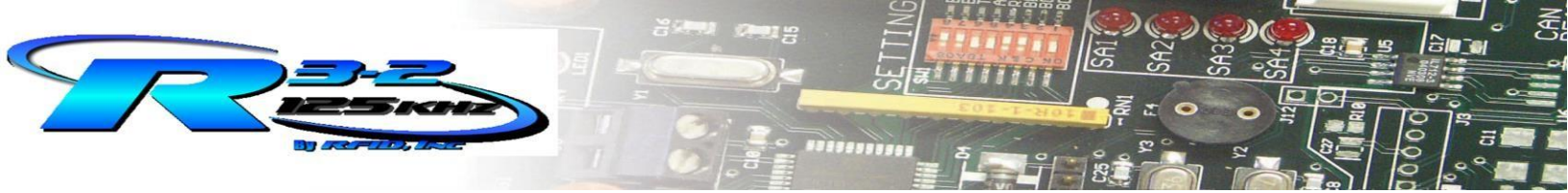


| | | | |
|------------------|--|---|---|
| Physical: | Dimensions (w/o flanges): | 4.056" x 1.8" x 1" | 10.3cm x 4.57cm x 2.54cm |
| | Weight (w/o cable): | 5.7 oz. | 161 grams |
| | Connector Options: 1' cabling standard Options up to 50' | CAN Data & Power: Pigtails or M12 on Cable | Serial & Power: 9pin D-sub or Pigtails or M12 Quick Connect or Pigtails |

| | | | |
|--------------------|--------|-----------------------|---------------|
| Electrical: | Input: | 8VDC – 28VDC | |
| | Draw: | 125mA min – 200mA max | 150mA typical |

| | | | |
|-------------------|--------------------|------------------|---------------------------|
| Materials: | Housing: | Black ABS | |
| | LED: | On = power | Blink = read achieved |
| | Relay Driver (NO): | 5vdc @ 60mA max. | Option - Specify at Order |
| | Output: | CAN | RS232 or RS485 |
| | Addressing: | Inherent | Both 232 & 485 Addressing |

| | | | |
|---------------------|------------------------|----------------------|----------------|
| Environment: | Storage Temperature: | -40°F to 185°F | -40°C to +85°C |
| | Operating Temperature: | -40°F to +131°F | -40°C to +85°C |
| | Ingress Protection: | IP-67 Non-condensing | |



NOTES: PN 719-0098-14SXDD Series
 Where X=A= 125KHZ.
 X=R=148KHZ.
 DD=08=8Digits
 DD=16=16Characters.

WIRING CHART:

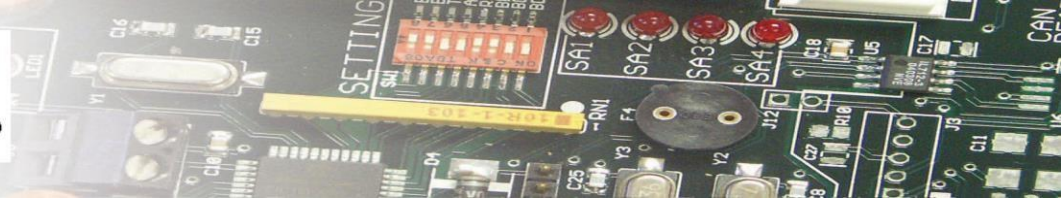
CAN-HI : Red
 CAN-LO : Black

POWER + : White
 GROUND 0V: Green

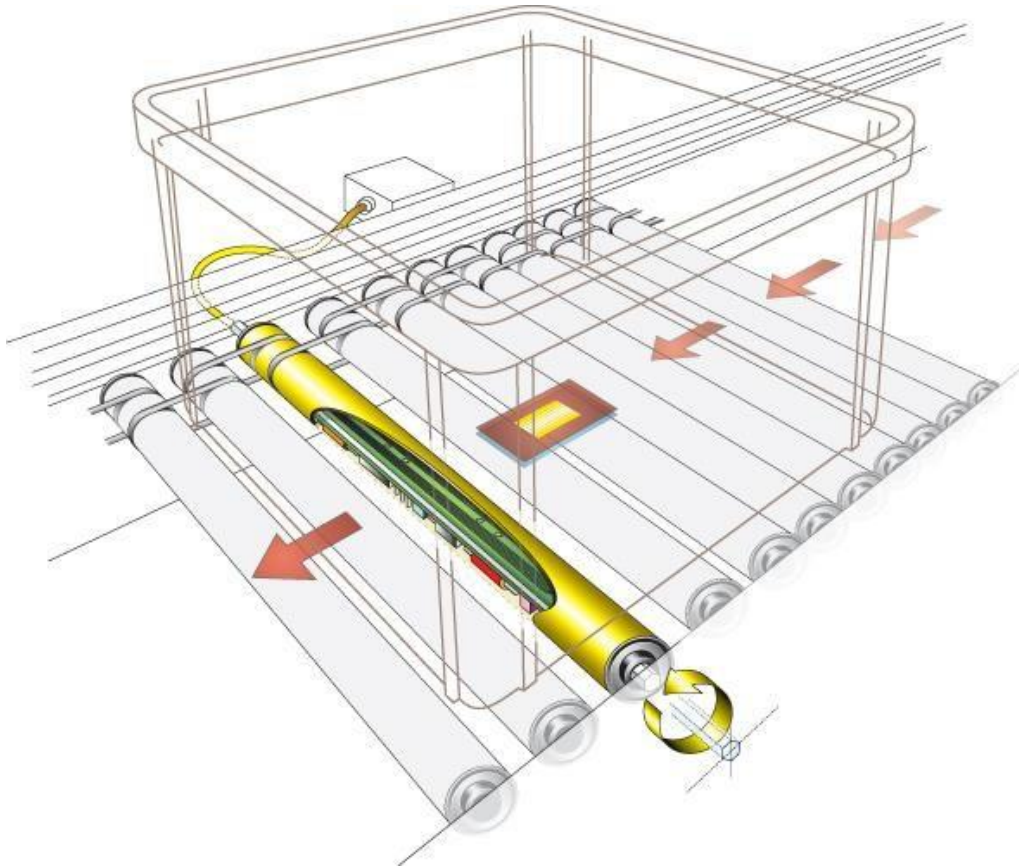
SHIELD: Bare Wire.

| | | | |
|----------------------|---------------------------|----------------------------------|------------------------------|
| Part Numbers: | 719-0098-04SA08 | CAN, M12 connector | 8 characters data |
| | 719-0098-14SA08 | CAN, pigtail wiring | 8 characters data |
| | 719-0098-24SA08 | CAN, dual pigtail wiring | 8 characters data |
| | 719-0098-04SA16 | CAN, M12 connector | 16 characters data |
| | 719-0098-14SA16 | CAN, pigtail wiring | 16 characters data |
| | 719-0098-24SA16 | CAN, dual pigtail wiring | 16 characters data |
| | 719-0098-25SA | Serial, pigtail wiring | 8, 16, or 32 characters data |
| | 719-0098-26SA | Serial, pigtail serial, pwr conn | 8, 16, or 32 characters data |
| | 719-0098-27SA | Serial, 9pin D-sub, pwr pigtails | 8, 16, or 32 characters data |
| | 719-0098-28SA | Serial, 9pin D-sub, pwr conn | 8, 16, or 32 characters data |
| | 719-0098-29SA | Serial, M12 connector | 8, 16, or 32 characters data |
| | Add -485 suffix for RS485 | Add -OCAN suffix for Can Open | |





Model 5181-SA SmartRoller

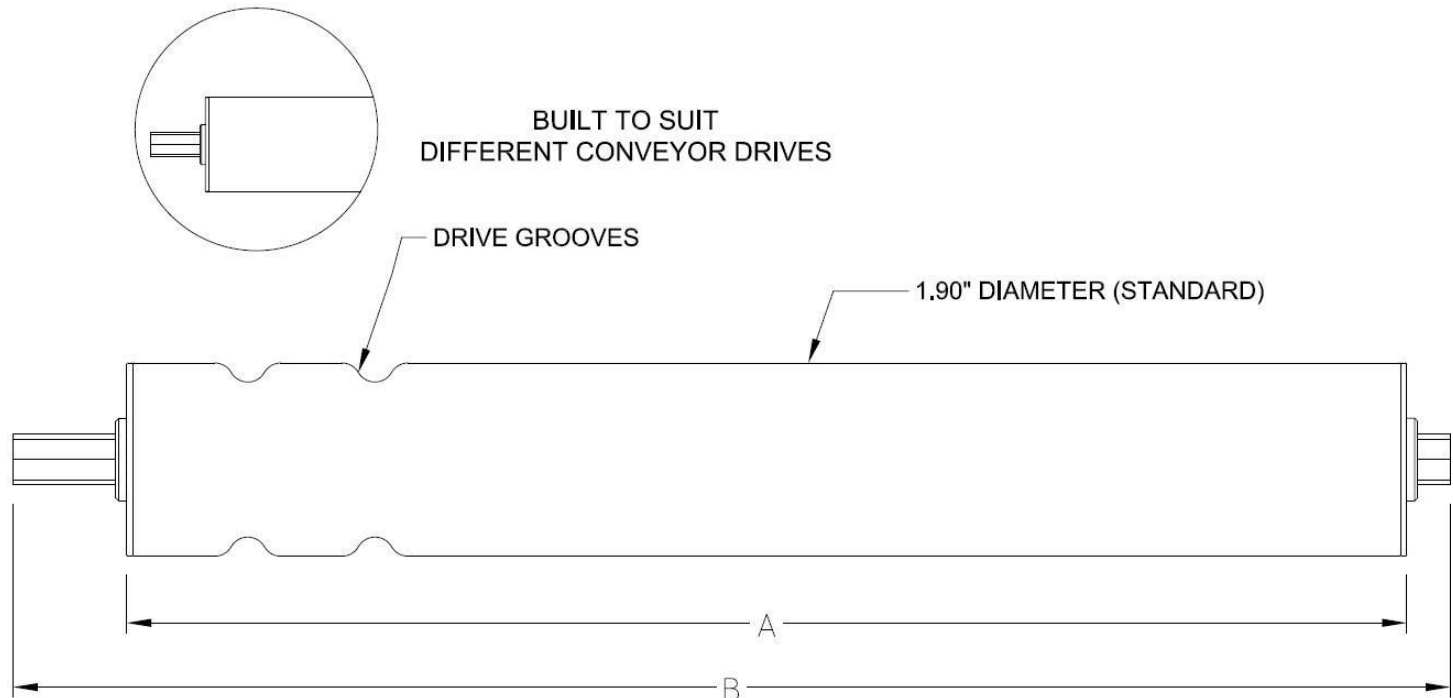
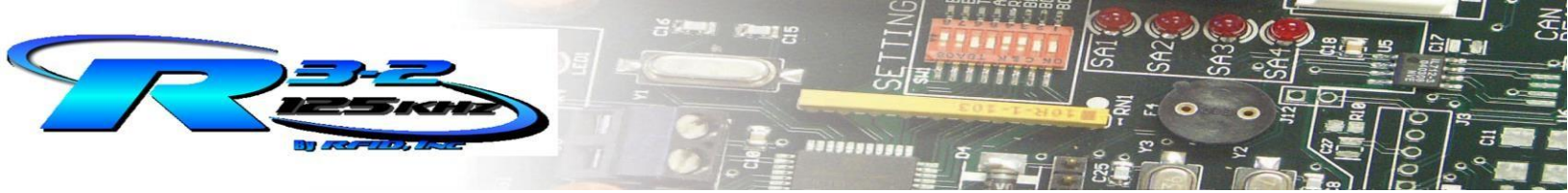


| | | | |
|------------------|--|---|---------------------------------------|
| Physical: | Dimensions: | Custom | |
| | Weight: | Dependent on size | |
| | Connector Options: 1' cabling standard Options up to 50' | CAN Data & Power: M8 or Pigtails | Serial & Power: M8 or Pigtails |

| | | | |
|--------------------|--------|-----------------------|---------------|
| Electrical: | Input: | 8VDC – 28VDC | |
| | Draw: | 125mA min – 200mA max | 150mA typical |

| | | | |
|-----------------------------------|-------------|------------|---------------------------|
| Materials & Functions: | Housing: | PVC | |
| | LED: | On = power | Blink = read achieved |
| | Output: | CAN | RS232 or RS485 |
| | Addressing: | Inherent | Both 232 & 485 Addressing |

| | | | |
|---------------------|------------------------|-----------------|----------------|
| Environment: | Storage Temperature: | -40°F to 185°F | -40°C to +85°C |
| | Operating Temperature: | -40°F to +131°F | -40°C to +55°C |
| | Ingress Protection: | IP-65 | |

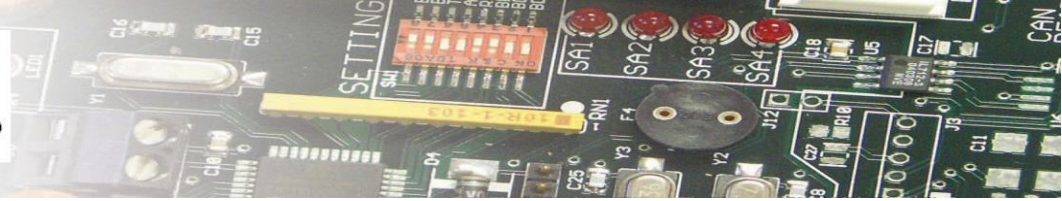


| Conveyor B.R. | A | B |
|---------------------------|--------|--------|
| 10" Smart Roller Assembly | 9.625 | 11.125 |
| 13" Smart Roller Assembly | 12.625 | 14.125 |
| 17" Smart Roller Assembly | 16.625 | 18.125 |
| 21" Smart Roller Assembly | 20.625 | 22.125 |

Note: The "12" in 1208 denotes 12.625" length in column A above. Substitute xx08 in part number below for different size. Contact us for the custom sizes.

| Part Numbers: | | | |
|---------------|---------------------------|-------------------------------|------------------------------|
| | 719-1208-04SA08 | CAN, M8 connector | 8 characters data |
| | 719-1208-14SA08 | CAN, pigtail wiring | 8 characters data |
| | 719-1208-24SA08 | CAN, dual pigtail wiring | 8 characters data |
| | 719-1208-04SA16 | CAN, M8 connector | 16 characters data |
| | 719-1208-14SA16 | CAN, pigtail wiring | 16 characters data |
| | 719-1208-24SA16 | CAN, dual pigtail wiring | 16 characters data |
| | 719-1208-25SA | Serial, pigtail wiring | 8, 16, or 32 characters data |
| | 719-1208-26SA | Serial, M8 connector | 8, 16, or 32 characters data |
| | Add -485 suffix for RS485 | Add -OCAN suffix for Can Open | |



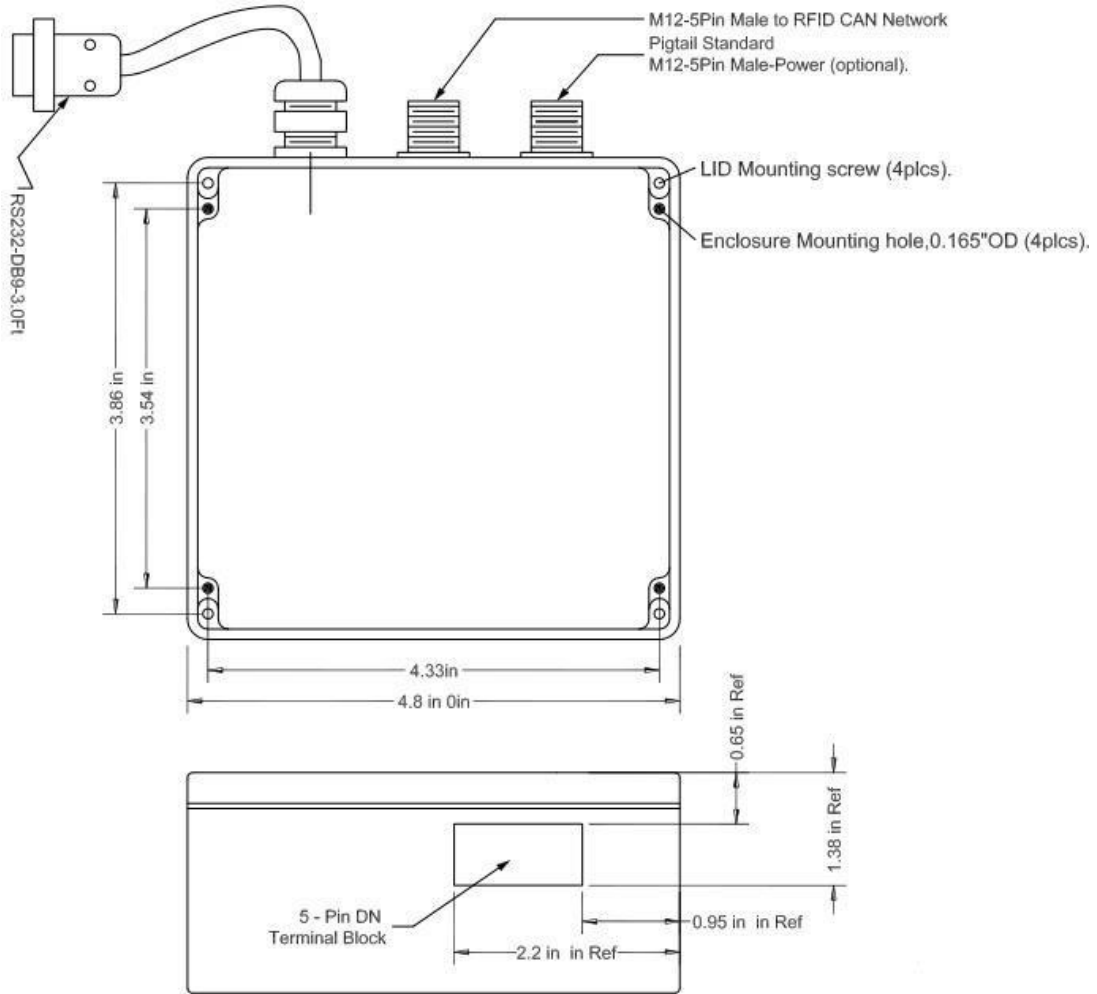


Model 8000 Series Smart Antenna Interfaces



| | | | |
|---------------------|------------------------------|--|---|
| Physical: | Dimensions (w/o connectors): | 4.8" square x 2.175" | 122mm square x 55mm |
| | Weight (w/o cable): | 11 oz. | 312 grams |
| | Connector Options: | CAN Port(s): M12 or Pigtails RS232 Port: 9pin D-sub Ethernet/IP: RJ45 TCPIP: RJ45 DeviceNet: Profibus: Modbus TCP Port: RJ45 Modbus RTU: 9pin D-sub | Power: Quick Connect power jack or Pigtails or power thru M12 |
| Electrical: | Input: | 8VDC – 28VDC | |
| | Draw: | 125mA min – 200mA max | 150mA typical |
| Materials: | Housing, Base: | Polycarbonate, opaque | NEMA 4X |
| | Lid: | Polycarbonate, clear | |
| | LED: | On = power | Blink = read achieved |
| Environment: | Storage Temperature: | -40°F to 185°F | -40°C to +85°C |
| | Operating Temperature: | -40°F to +131°F | -40°C to +55°C |
| | Ingress Protection: | IP-50 | |

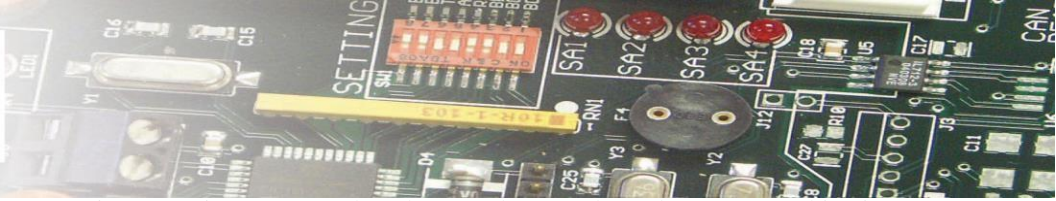
Ethernet/IP Interface w/M12 Connectors Drawing Shown



In the 2nd table below, substitute the 2nd field (8030) with the following for other communication protocols as follows:

| |
|--------------------|
| 8030 = RS232 |
| 8040 = Ethernet/IP |
| 8050 = TCP/IP |
| 8060 = DeviceNet |
| 8070 = Profibus |
| 8080 = Modbus TCP |
| 8085 = Modbus RTU |

| | | | |
|----------------------|-----------------|---------------------|--------------------|
| Part Numbers: | 801-8030-04SA08 | M12 connector | 8 characters data |
| | 801-8030-14SA08 | Pigtail wiring | 8 characters data |
| | 801-8030-04SA16 | M12 connector | 16 characters data |
| | 801-8030-14SA16 | Pigtail wiring | 16 characters data |
| | 801-8030-24SA08 | Dual pigtail wiring | 8 characters data |
| | 801-8030-24SA16 | Dual pigtail wiring | 16 characters data |



Smart Antennas Read Range Matrix in Inches (Write Range is 5% to 50% less than Read Range dependent upon combination)

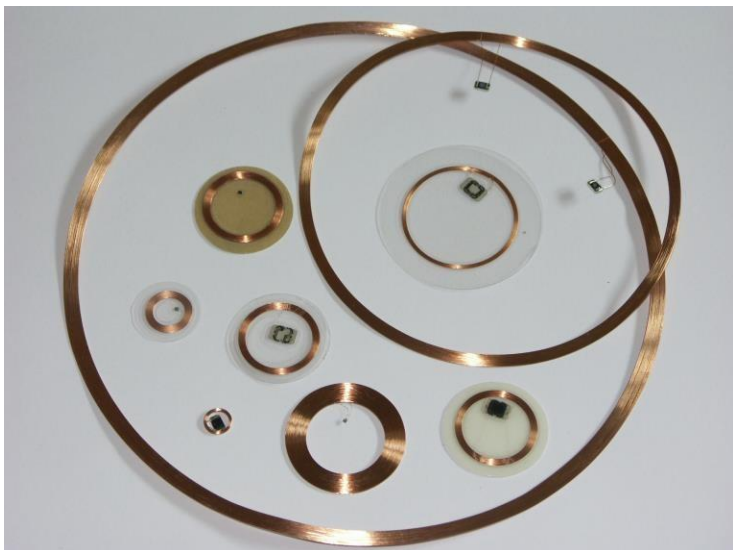
| Tag Model Number | Smart Antenna Model → | 5100 | 5110 | 5120 | 5130 | 5131 |
|--|-----------------------|-----------|------|--------|-----------|------|
| 1762 – 1765 – 1768 - 1769 30mm diameter Tags | | 1.25 | 2.0 | 1.75 | Dependent | 1.0 |
| 1763 20mm Button Tag | | 1.0 | 1.25 | 0.5 | On | 0.75 |
| 1766 25mm PVC Laminate Tag | | 1.0 | 1.5 | 0.75 | External | 0.75 |
| 1767 50mm Potted Dome Tag | | 2.0 | 3.75 | 3.0 | Antenna | 1.5 |
| 1770 Credit Card (ISO) | | 2.0 | 3.0 | 3.25 | | 1.5 |
| 1771 35mm PVC Laminate Tag | | 1.5 | 2.0 | 1.75 | | 1.25 |
| 1772 22mm High Temp Tag | | 1.25 | 2.0 | 1.25 | | 1.0 |
| 1772-HT30 High Temp 30mm Tag | | 1.5 | 2.0 | 1.5 | | 1.0 |
| 1772-HT50 High Temp 50mm Tag | | 2.0 | 2.5 | 2.5 | | 1.5 |
| 1773 Keyfobs | | Dependent | Upon | Keyfob | Size | |
| 1774 Coffin Tag | | 0.75 | 1.5 | 0.5 | | 0.5 |
| 1776 Wrist Bracelet | | 1.25 | 2.0 | 1.75 | | 1.0 |
| 1778 12mm Pill Tag | | 0.75 | 1.0 | -- | | 0.5 |
| 1779 16mm Laundry Tag | | 0.75 | 1.25 | 0.5 | | 0.5 |
| 1781M1 Bar Tag, Ferrite coil | | 1.0 | 2.25 | 4.0 | | 0.75 |
| 1781M2 Bar Tag, Planar coil | | 1.25 | 2.25 | 2.0 | | 1.0 |
| 1786 Hockey Puck Tag | | 2.25 | 3.5 | 4.0 | | 1.75 |
| 1787 Lipstick Tag | | 1.5 | 2.75 | 3.25 | | 1.25 |
| 1788 Tank Tag | | 1.0 | 1.5 | 0.5 | | 0.75 |
| 1791 Deck of Cards Tag | | 2.25 | 3.5 | 4.0 | | 1.75 |
| 1795 Frisbee Tag, 6" diameter | | 3.0 | 5.0 | 7.0 | | 2.25 |
| 1796SM Mini-Monster Tag | | 2.5 | 4.0 | 5.5 | | 2.0 |
| 1796 Monster Tag, 8" x 6.75" | | 3.0 | 5.25 | 8.5 | | 2.25 |

| Tag Model Number | Smart Antenna Model | 5150 | 5155 | 5160 | 5180 | 5181 |
|--|---------------------|-----------|------|--------|------|------|
| 1762 – 1765 – 1768 - 1769 30mm diameter Tags | | 3.5 | 4.5 | -- | 2.0 | 1.0 |
| 1763 20mm Button Tag | | 1.5 | 2.5 | -- | 1.0 | 1.0 |
| 1766 25mm PVC Laminate Tag | | 2.25 | 3.0 | -- | 1.25 | 1.0 |
| 1767 50mm Potted Dome Tag | | 5.5 | 6.5 | 5.0 | 3.25 | 1.0 |
| 1770 Credit Card (ISO) | | 6.0 | 7.0 | 5.25 | 3.5 | 1.0 |
| 1771 35mm PVC Laminate Tag | | 3.75 | 4.5 | 1.25 | 2.0 | 1.0 |
| 1772 22mm High Temp Tag | | 3.25 | 4.0 | -- | 1.5 | 1.0 |
| 1772-HT30 High Temp 30mm Tag | | 3.5 | 4.0 | 1.0 | 2.0 | 1.0 |
| 1772-HT50 High Temp 50mm Tag | | 5.0 | 5.5 | 4.5 | 3.50 | 1.0 |
| 1773 Keyfobs | | Dependent | Upon | Keyfob | Size | |
| 1774 Coffin Tag | | 1.25 | 3.0 | -- | 0.75 | 1.0 |
| 1776 Wrist Bracelet | | 3.5 | 4.5 | -- | 2.0 | 1.0 |
| 1778 12mm Pill Tag | | -- | 3.25 | -- | 0.25 | 1.0 |
| 1779 16mm Laundry Tag | | 1.0 | 2.0 | -- | 1.0 | 1.0 |
| 1781M1 Bar Tag, Ferrite coil | | 5.25 | 7.0 | 6.25 | 2.75 | 1.0 |
| 1781M2 Bar Tag, Planar coil | | 4.5 | 5.5 | 3.0 | 2.5 | 1.0 |
| 1786 Hockey Puck Tag | | 7.0 | 7.0 | 8.0 | 4.0 | 1.0 |
| 1787 Lipstick Tag | | 5.75 | 7.0 | 6.75 | 3.25 | 1.0 |
| 1788 Tank Tag | | 1.75 | 2.5 | -- | 1.0 | 1.0 |
| 1791 Deck of Cards Tag | | 7.0 | 7.0 | 7.5 | 4.0 | 1.0 |
| 1795 Frisbee Tag, 6" diameter | | 11.0 | 13.0 | 14.0 | 7.5 | 1.0 |
| 1796SM Mini-Monster Tag | | 9.0 | 10.0 | 10.0 | 5.0 | 1.0 |
| 1796 Monster Tag, 8" x 6.75" | | 12.0 | 15.0 | 15.0 | 8.0 | 1.0 |





Ask for separate literature piece to see our complete line of low frequency Tags



Coil & Chip, Clear Laminates, Peel & Stick, 9mm's to 180mm's



Potted Industrial Tags



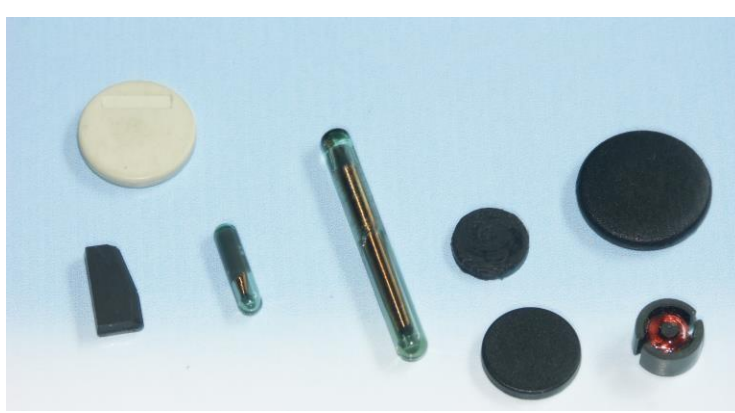
High Temperature Tags (up to 260°C)



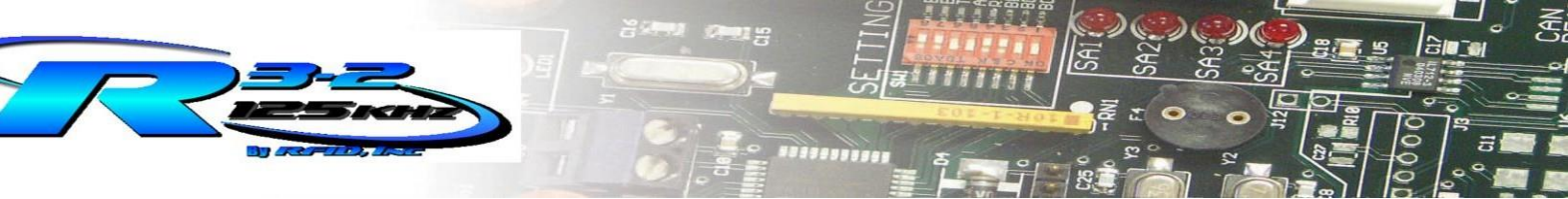
ABS Tags, 20mm, 25mm, 30mm, 35mm, 50mm



Bolt, Screw, Nail, Cable Tags



Small Tags - Glass Ampoules, Laundry, Flush Mount Metal Tags



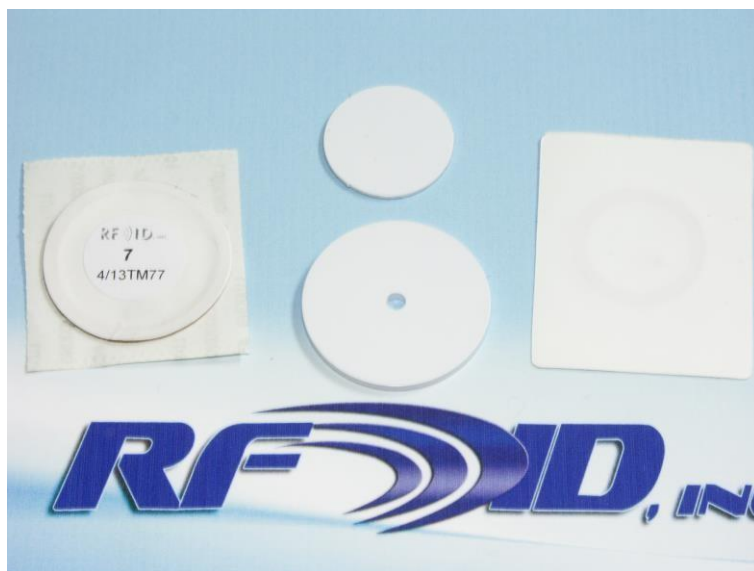
Wristbands



Personnel Badges, Hotel Cards, Museum Tickets



Keyfobs



PVC Laminates, Labels, Sticker Tags

